



# Farm Credit News

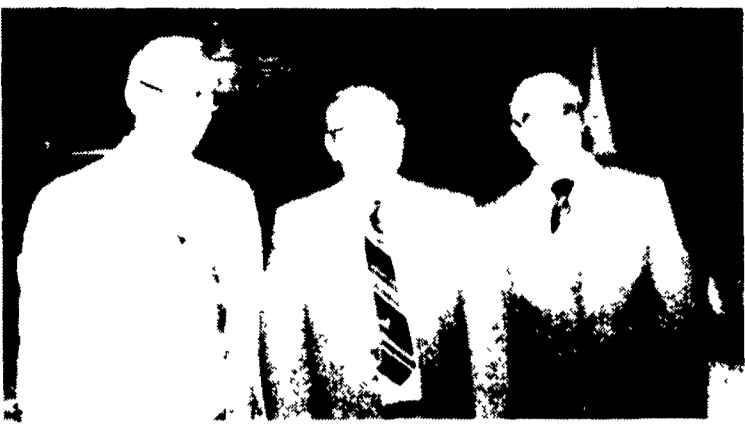
## Lancaster Farm Credit names directors

LANCASTER — Last week, at their annual stockholders meeting, Lancaster Farm Credit Association elected three new directors to serve at area branch offices, each for a three year term. James S. Owens, new general manager of Lancaster Farm Credit, gave a talk on the

highlights of 1983. Three sectional meetings were held in conjunction with the elections. The first, on Oct. 9, was held at Camp Hebron in Dauphin County, with 94 persons in attendance. A luncheon and dinner banquet announcing the new directors and the elected members

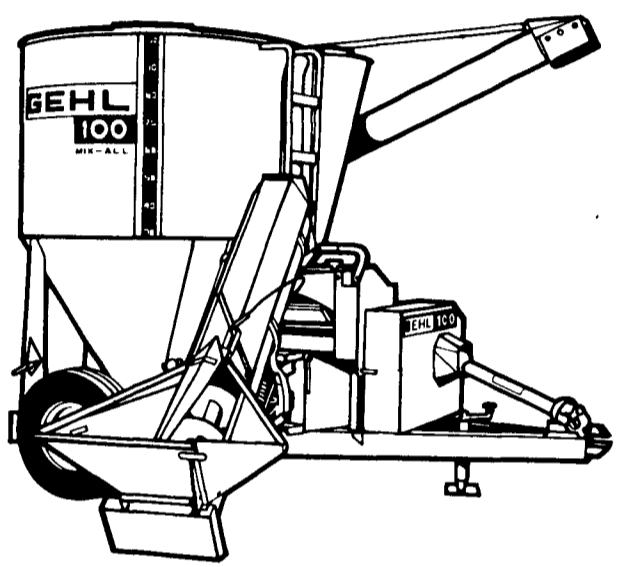
of the nominating committee, were held Oct. 11 at the Historic Strasburg Inn, with 710 attending. Elected to the Federal Land Bank was B. Musser Forry of Manheim RD2. Forry, with his two sons, maintains a 120-acre farm, which consists of hogs, steer, and broilers. An additional 78 acres also is included at Pleasant View Farm. David M. Garber of Marietta RD1 was appointed director of Lancaster Production Credit office. He operates a 150 acre farm of steer and broilers. Marlin Hitz was elected to the Lebanon County chapter of LPC. In a family partnership, Hitz operates a 495 acre dairy farm, and Dol-Mar Dairy Store. He resides at 525 Hemlock Lane in Lebanon. Appointed to the nominating committee for 1984-85 were J. Wade Groff, Glenn C. Hershey and

Kenneth S. Meck for Production Credit; and Ellis R. Denlinger, Robert C. Groff and Clarence D. Neff for Land Bank.



Marlin Hitz (left) David M. Garber and B. Musser Forry are the newly elected directors of Lancaster Farm Credit. Hitz is director of the Lebanon County chapter of Lancaster Production Credit. Garber will serve as director of the Lancaster branch of LPC, and Forry will direct the Federal Land Bank.

## Free gift if you buy now!



Buy a new Mix-All now and select a free gift from Gehl — Panasonic Microwave Oven — GE 13" Color TV — Total Gym exercise system by West Bend. Plus you can delay final payment until Feb. 1, 1985 if you qualify. But don't wait. This is a limited time offer. See us for details.



**Skid Steer Loaders Have Interest Free Waiver Until February 1, 1985**  
**Hay and Forage Equipment Have Interest Free Waiver Until May 1, 1985**  
**Ask Your Dealer About Rebates Instead Of Delayed Payment**

- |  |   |   |   |
|--|---|---|---|
| <b>PEOPLE'S SALES &amp; SERVICE</b><br>Oakland Mills, PA<br>717-463-2735             | <b>J &amp; M MACHINERY</b><br>Greensburg, PA<br>412-668-2276                      | <b>LEBANON VALLEY IMPLEMENT CO., INC.</b><br>Richland, PA<br>717-866-7518               | <b>ELDER SALES &amp; SERVICE, INC.</b><br>RT 1 Box 619<br>Stoneboro, PA<br>412-376-3390<br>412-376-3740 |
| <b>A. L. HERR &amp; BRO.</b><br>Quarryville, PA<br>717-786-3521                      | <b>BENNETT MACHINE CO.</b><br>1601 S. Dupont Blvd.<br>Milford, DE<br>302-422-4837 | <b>DAYTON EQUIPMENT COMPANY</b><br>Dayton, PA<br>412-783-6990                           | <b>BINKLEY &amp; HURST BROS.</b><br>133 Rothsville<br>Station Road<br>Lititz, PA<br>717-626-4705        |
| <b>CLAIR J. MYERS</b><br>Lake Road R1<br>Thomasville, PA<br>717-259-0453             | <b>NICHOLS FARM EQUIPMENT</b><br>Bloomsburg, PA<br>717-784-7731                   | <b>UMBERGER'S OF FONTANA</b><br>Rt. 4 Lebanon, PA<br>(Fontana)<br>717-867-5161          | <b>PETERMAN FARM EQUIPMENT, INC.</b><br>225 York Rd<br>Carlisle, PA<br>717-249-5338                     |
| <b>ARNETT'S GARAGE</b><br>Rt 9 Box 125<br>Hagerstown, MD<br>301-733-0515             | <b>STOFFER BROS. INC.</b><br>Chambersburg, PA<br>717-263-8424                     | <b>ECKROTH BROS. FARM EQUIPMENT</b><br>RT 2 Box 24A<br>New Ringgold, PA<br>717-943-2131 | <b>HINES EQUIPMENT</b><br>Cresson, PA<br>814-886-4183<br>Bellwood<br>814-742-8171                       |
| <b>R.E. SMELTZER EQUIPMENT CO.</b><br>RD 2, Box 2<br>Centre Hall, PA<br>814-364-1419 | <b>GEO. W. KINSMAN, INC.</b><br>516 Main Street<br>Honesdale, PA<br>717-253-3440  | <b>MILLER EQUIPMENT CO.</b><br>RD 1<br>Bechtelsville, PA<br>215-845-2911                |   |

## CONSTRUCTION

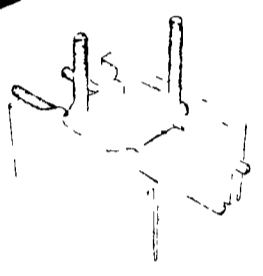
SPECIALISTS IN:

**FARM BUILDINGS - EXCAVATING  
 MANURE PITS - SEPTIC TANKS**

THE "OPEN END" IVANY BLOCK ▶



- Manure Pits with:
- POURED WALLS
  - BLOCK WALLS
  - LAGOON SYSTEMS
  - ABOVE GROUND SYSTEMS



— SPECIAL FARM PRICES —  
**DYNAMIC MASONRY CONTRACTORS**

Gordonville, PA  
 Mike Fisher Larry Herr  
**(717) 687-6801**  
 After 6 PM, Call (717) 687-7217

## GARDEN WITH JUST ONE HAND THE TROY-BILT WAY!



- Rear-Mounted Tines chop, shred and bury old sod, standing crops and organic matter with NO tangling!
- Power Driven Wheels maintain a steady, comfortable pace with NO struggle — you guide it with JUST ONE HAND!
- Cast-Iron Automotive-type transmission designed to work hard and last a lifetime.
- 4 forward speeds and reverse... ELECTRIC START models, too!
- Instant, accurate Depth Control for precise cultivating, deep power tilling, and everything in between!
- Model sizes from 3 1/2 to 8 H.P. to fit every garden, from a small backyard to an acre or more!
- Full no-time-limit warranty.

Don't torture yourself with one of those long front bone-rattlers!

See and compare all the Troy-Bilt® Tiller Models at:



**Hollinger's**  
 Lawn & Garden Equipment, Inc.  
**TWO CONVENIENT LOCATIONS:**

1755 W. Main St. Ephrata, PA 17522  
 Located on Route 322  
 Phone (717) 738-1131

1515 East Chocolate Ave. Hershey, PA 17033  
 Phone (717) 533-4060