

**FARM EQUIPMENT**

• Int. 1440 Axial Flow Combine w/4 Row Narrow Corn Head & 13 Ft. Grain Platform  
• NI 2 Row Narrow Corn Picker w/Grinder Unit  
**UNION COUNTY (717) 966-2736**

**MF 410 COMBINE**

Diesel, 4 row wide corn head, 13' grain head, good condition.  
**717-866-7093**

Sell or Trade 15' flex head off of 550 Massey Ferguson.

Call **717-766-3022**

**NI 325 Super Picker 2 Row Pull Type \$5,500**

Lycoming Co. **717-323-0987** After 5 PM

Ford 8000 tractor, turbo, cab & air, heat, new short block, new clutch & pressure plate, new rear tires, new battery, excellent condition. **\$11,500**

JD 13x7 grain drill, fert. & grass seed attachments, good condition.

12' Chore Time grain bin w/35' of Flex auger. **215-756-6602**

**MESSICK FARM EQUIPMENT, INC.**

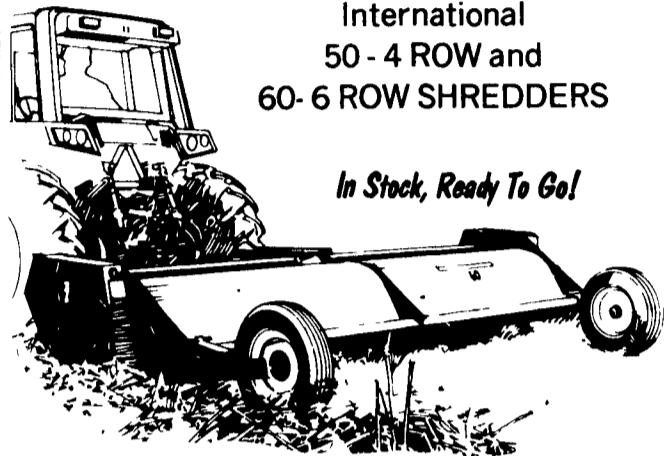
Farm Equipment Is Our Business  
**RHEEMS EXIT, RT. 283, ELIZABETHTOWN, PA.**

PH: (717) 367-1319 Toll Free In PA. 1-800-222-3373 Warren Spickler-Home 653-4560 We Ship UPS

**GET RID OF CROP RESIDUE IN A HURRY!**

International 50 - 4 ROW and 60- 6 ROW SHREDDERS

*In Stock, Ready To Go!*



**HERE'S THE ONE EVERYONE'S LOOKING FOR!**

**IH 5288**

162.6 PTO hp  
Featuring The Synchro Tri-Six Transmission  
*Special Price And Waiver Of Finance*

Gives You #1  
• PERFORMANCE • RELIABILITY  
• PRODUCTIVITY



**USED EQUIPMENT**

**HAY & FORAGE**

- NI 5 Reel Rake
- Dion Forage Box Wagons
- IH 1190 Mower Conditioner
- NH 2 Row Snapper Head
- New Idea 1 Row Corn Picker
- NH 880 Harvester w/2 Row Corn Head, Nice
- IH 555 Harvester w/2 Row Corn Head
- Hesston 1091 Mower Conditioner, Cut Less Than 100 Acres
- HD Big Bale Mover
- IH 60 Shredder 6 Row

- IH 50 Shredder 4 Row
- NH 276 Baler w/Thrower
- NH 718 Harvester w/1 or 2 Row Cornhead
- NH 24 ft Elevator, Nice
- IH 7 Flail Chopper
- NH 770 Harvester, 12 Knives Give You Uniform Cut 2 Row Corn Head, Pickup Attachment, Real Nice - Field Ready
- NH 718 w/12 Reversible Knives, 2 Row or 1 Row Corn Head
- IH 56 Blower, HD PTO
- Super 717 Harvester w/2 or 1 Row & Pickup Attach (Excellent)

**SKID LOADERS**

- NH L425 Rental Unit
- NHL775 Diesel Deutz 50 HP

**TRACTORS**

- IH 340 Tractor, Fast Hitch
- IH Cub Lo Boy
- Farmall A
- IH 656 D Hydro
- AC 5 Crawler Tractor, 45 H P w/Blade
- Kubota 185 w/3 pt Hitch

**SPECIAL JUST TRADED.**  
IH 830 Forage Harvester, 12 Knives w/Power Grinder, 3 Row Narrow Corn Head, Pickup Attach. (Low Profile Super Sweep)  
**WAIVER TILL SEPT. 1, 1985**

**ATTENTION FARMERS:** If Parts Are Needed After Hours To Keep You Going, Call Jay Gainer, Our Parts Mgr. At Home 367-7926

**PLANTERS**

- IH 400 Planter 6 or 4 Row

**MISCELLANEOUS**

- Pequea Hay Tedder, 7 ft
- Herd Fertilizer Spreader & Seeder
- NH 352 Grinder Mixer
- NH 234 Wagon w/Flotation Tires
- S P Case Combine w/15 ft Platform & 6 Row Cornhead, Good Cond. Only \$8500

**TILLAGE**

- JD 350 6 Bottom Plow
- IH 440 Plow, 4 Bottom 16" Demo
- IH 700 4 Bottom Auto Reset Plow
- Brillion 14 Ft Transport Harrow
- Glencoe 9 Shank Soil Saver w/New Disc
- Brillion 10 Ft Cult Packer
- IH 350 Disk Harrow, 12 ft Nice
- JD 10 ft Rotary Hoe
- IH 3 Bottom Fast Hitch

**SPREADERS**

- NI 214 3 Beater Spreader
- NH 519 Spreader 2 Beaters Hyd Gate
- NH 516 Spreader
- NH 362 Tank Spreader
- NI 224 Spreader 2 Beaters 10 Ton
- NH 791 Spreader
- NH 676 Spreader

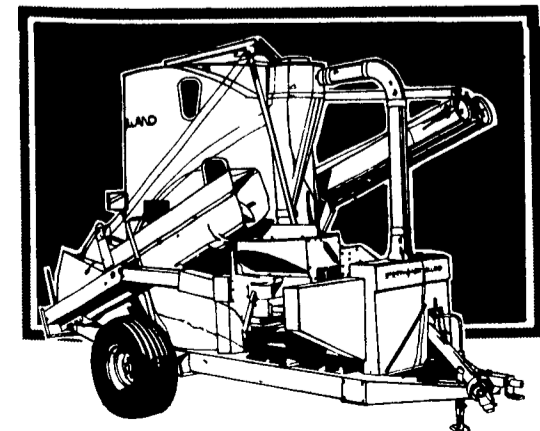


**MESSICK . . . Farm Equipment Is Our Business**

**NH L445 SKID LOADER**  
Ideal For All Size Spreaders  
SUPER BOOM-The Loader With Extra Reach  
**SPECIAL One Only**  
Must Go!  
Low Rate Financing, 4.9%

**MODEL 795 SPREADER**  
410 Bu., Double T-Bar Chain  
Low Rate Financing, 4.9%

**GRIND HIGH MOISTURE CORN**



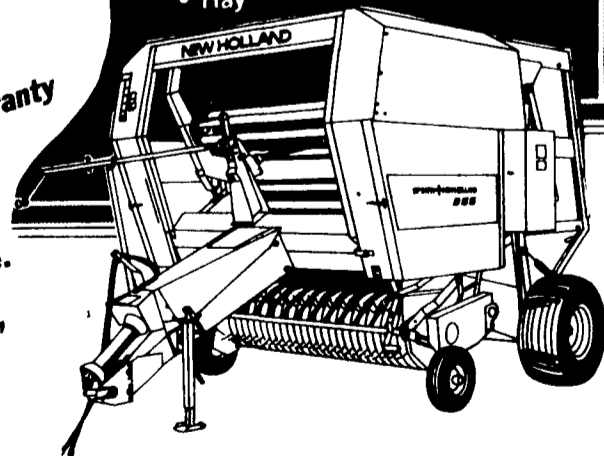
**NH 355 GRINDER-MIXER**

- 21" Hammermill
- Hydraulic Drive
- 100 Bu. Tank
- Optional: Scales

**ALL NEW DESIGN ROUND BALER**  
**MODEL 855**  
5 1/2' x 5 1/2' Bales Up To 1700 Lbs.  
**MODEL 849**  
4 3/4' x 5' Bales Up To 1200 Lbs.  
Great Capacity  
5000 Bale or 2 Yr. Chain Warranty  
No More Floor Chains  
Air Spring Tension.  
Better Bale Density & Shape.  
Automatic Tie And Much, Much More

**Capacity champ!**

- For
- Corn Fodder
- High Moisture Haylage
- Hay



- **WAIVER OF FINANCE** on HAY EQUIPMENT Till July 1, 1985
- **WAIVER OF FINANCE** on FORAGE EQUIPMENT Till Sept. 1, 1985
- **OR BIG CASH REBATES**
- **OR LOW RATE FINANCING** on NEW & USED EQUIPMENT
- 4.9% Financing For 1 Yr.
- 9.9% Financing For 24 Mos.
- 13.9% Financing For 60 Mos. (Self-Propelled Units Only)
- 7.9% Financing For 18 Mos.
- 11.9% Financing For 36 Mos.

**MESSICK FARM EQUIPMENT, INC.**

RHEEMS EXIT - RT 283, ELIZABETHTOWN, PA  
PHONE: 717-367-1319, 653-8867  
TOLL FREE IN PA. 1-800-222-3373  
WARREN SPICKLER - HOME 653-4560



★ WE SHIP UPS