

Bloomsburg dairy show

(Continued from Page E2)

Champion Ayreshire honors. Reserve Grand Champion and Reserve Junior Champion laurels went to Marilyn Kiess of Jersey Shore.

Brown Swiss Open Class judging gave Arthur Wolfe of Sunbury the Grand Champion and Senior Champion honors. The remainder of the laurels went to Russel T. Miller, of Tamaqua, including Grand Champion bull and Reserve Grand Champion Bull. Kurt Brown, Klingers town, won the Reserve Junior Champion cow honors.

Brown Swiss

In the 4-H Class Brown Swiss

judging, Christy Ross, of Sunbury, owned the Grand Champion and Junior Champion. Kurt Brown took Reserve Grand Champion and Reserve Junior Champion honors. **Guernsey**

In addition to Scott Kriebel, other winners in the Guernsey Open competition were: Corey Wolff, Millville - Reserve Grand Champion and Junior Champion; Bonny Sue Wolfe, Sunbury - Reserve Senior and Reserve Junior Champion cows and Reserve Grand Champion bull. The Grand Champion Guernsey bull was owned by Carl Miller, Tamaqua.

Other 4-H Guernsey winners, in

addition to Kriebel, were: Corey Wolff - Reserve Grand Champion and Junior Champion; Susan Moslock, Danville - Reserve Senior Champion; Bonny Sue Wolfe - Reserve Junior Champion.

Senior showmanship winners in the 4-H Dairy competition were: Ray Wolfe, Milton, First Place; Kurt Brown, Second Place; Bonny Sue Wolfe, Third Place; Sandy Shuman, Fourth Place; Wendy Kriebel, Benton, Fifth Place.

Junior Showmanship honors were awarded to Richard Shuman, Bloomsburg, First Place; Corey Wolff, Second Place; Carey Jur-bala, Third Place; Jennifer Shultz, Munch, Fourth Place; Susan Moslock, Fifth Place.

Beef judging

In the beef cattle judging, Chad Hummel of Selinsgrove brought

home a new rosette, to add to the one he got a week earlier at the Snyder County-Beaver Springs fair. Hummel's 1225-lb. steer took Grand Champion, while Paul Wertz of Danville owned the Reserve Grand Champion.

Beef showmanship honors in the Senior division went to Ann Haladay of Columbia County. Greg Haladay was second, followed by Richard Crone, Northumberland County; Carolyn Lehman, Lycoming County; and John Fetterman, Columbia County.

Junior- beef showmanship awards were presented to Eddie Chapman, Columbia County (First Place); Christine Baker, Northumberland County (Second Place); Jason Brokenshire, N

Montour County (Third Place); Nathan Hampton, Columbia County (Fourth Place); Chad Hummel, Fifth Place.

Judges for the dairy competition were Neil Bower of Wellsboro (Holstein) and John Marchese, Washington, Pa., Colored Breeds.



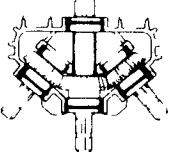

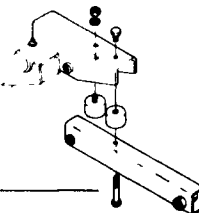

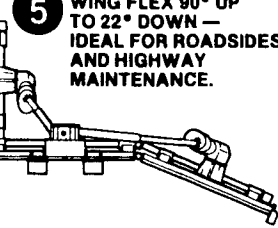

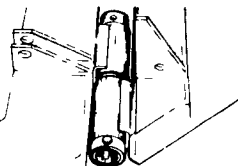

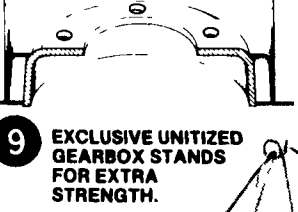

READ LANCASTER FARMING FOR COMPLETE AND UP-TO-DATE MARKET REPORTS

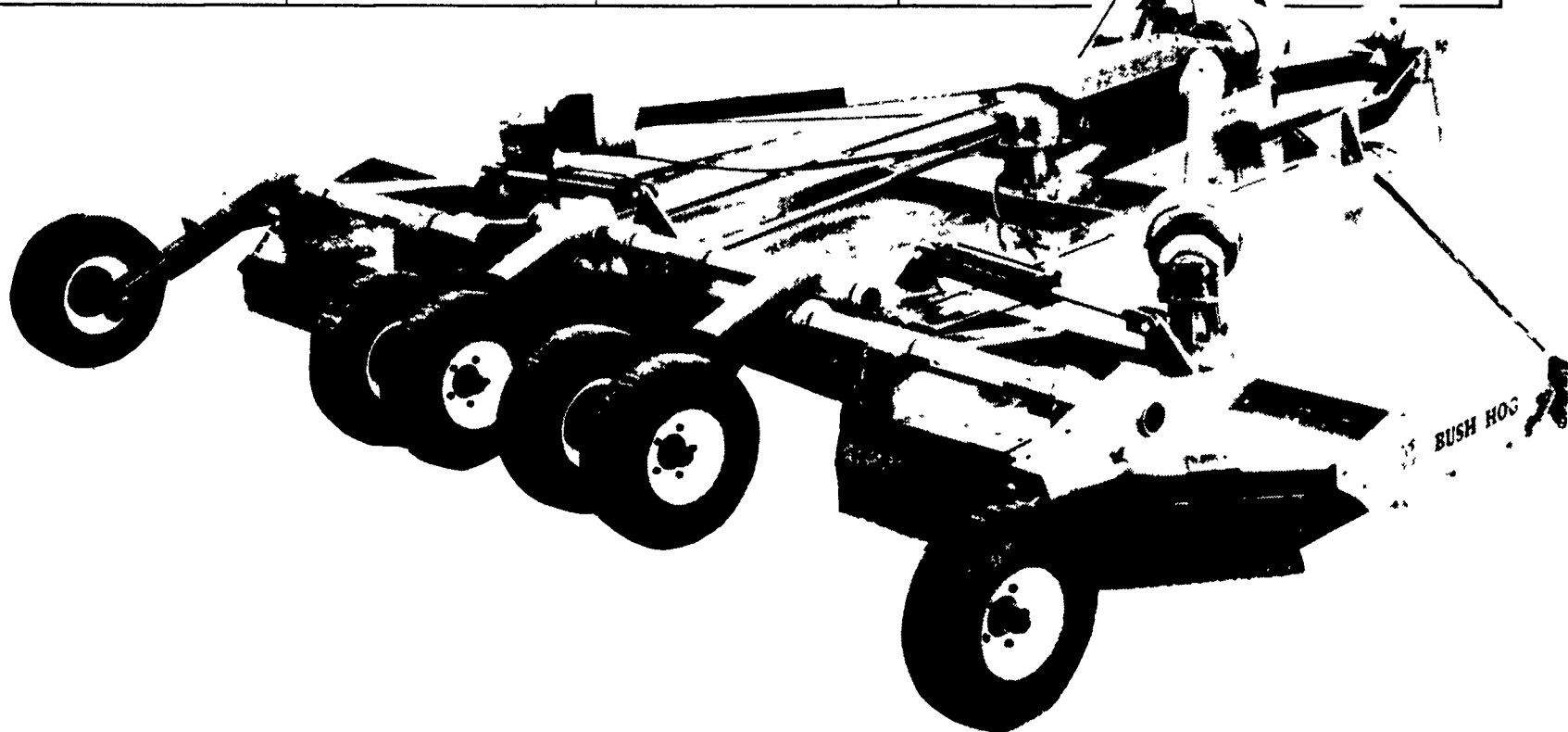


BUSH HOG[®] FLEX-WING ROTARY CUTTERS

Your Best Choice For Large Cutting Jobs

Perfect For Pasture Clipping And Shredding, Highway Maintenance And Orchard Cutting... With Wings That Flex 90° Up To 22° Down.

<p>1 THE POWER DIVIDER GEARBOX HAS STRADDLE MOUNT OUTPUT SHAFTS- FOR GREATER STRENGTH.</p> 	<p>2 BOX-TYPE CONSTRUCTION FOR EXTRA STRENGTH AND CLEAN APPEARANCE.</p> 	<p>3 RUBBER CUSHION AXLE MOUNTING—FOR EXTRA SHOCK PROTECTION.</p> 	<p>4 AUTOMATIC ADJUSTING WING AXLES.</p> 	<p>5 WING FLEX 90° UP TO 22° DOWN — IDEAL FOR ROADSIDES AND HIGHWAY MAINTENANCE.</p> 
<p>6 HEAVY DUTY SLIP CLUTCH—STANDARD EQUIPMENT.</p> 	<p>7 MASSIVE WING HINGES PROVIDE EXTRA STRENGTH & DURABILITY.</p> 	<p>8 SELF-LEVELING HITCH—STANDARD EQUIPMENT.</p> 	<p>9 EXCLUSIVE UNITIZED GEARBOX STANDS FOR EXTRA STRENGTH.</p> 	<p>10 CONSTANT-VELOCITY DRIVELINE.</p> 



SEE YOUR LOCAL BUSH HOG DEALER

- | | | | | | | |
|---|---|---|---|--|---|--|
| <p>BINKLEY & HURST BROS. INC.
Lititz, PA
717-626-4705</p> | <p>THOMAS L. DUNLAP
Jersey Shore, PA
717-398-1391</p> | <p>A. L. HERR & BROS.
Quarryville, PA
717-786-3521</p> | <p>MARSHALL MACHINERY INC.
Honesdale, PA
717-729-7117</p> | <p>NICHOLS FARM EQUIP.
Bloomsburg, PA
717-784-7731</p> | <p>STANLEY'S FARM SERVICE
Klingers town, PA
717-648-2088</p> | <p>UMBERGER'S OF FONTANA
Lebanon, PA
717-867-5161</p> |
| <p>CLAPPER FARM EQUIPMENT
RD 1
Alexandria, PA
814-669-4465</p> | <p>FARMERSVILLE EQUIPMENT, INC.
Ephrata, PA
717-354-4271</p> | <p>KELLER'S FARM MACHINERY, INC.
Quakertown, PA
215-536-4046</p> | <p>MILLER SALES & SERVICE INC.
Stewartstown, PA
717-993-2470</p> | <p>PEOPLES SALES & SERVICE
Oakland Mills, PA
717-463-2735</p> | <p>STOLTZFUS FARM SERVICE
Cochranville, PA
215-593-2407</p> | <p>C.J. WONSIDLER BROS.
Quakertown, PA
215-536-1935</p> |
| <p>GEORGE N. GROSS, INC.
Dover, PA
717-292-1673</p> | <p>LEHIGH AG EQUIPMENT
Wescosville, PA
215-398-2553</p> | <p>NEUHAUS'ES INC.
York, PA
717-428-1954</p> | <p>PETERMAN FARM EQUIPMENT, INC.
Carlisle, PA
717-249-5338</p> | <p>STRALEY FARM SUPPLY INC.
Dover, PA
717-292-4443</p> | | |