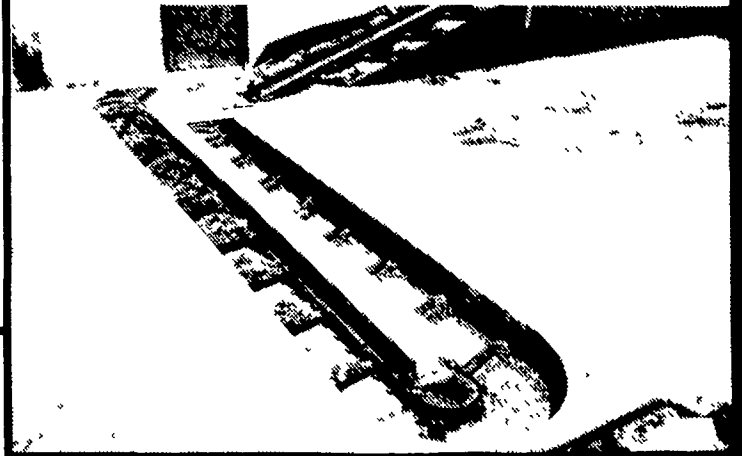


# Conveying And Feeding...

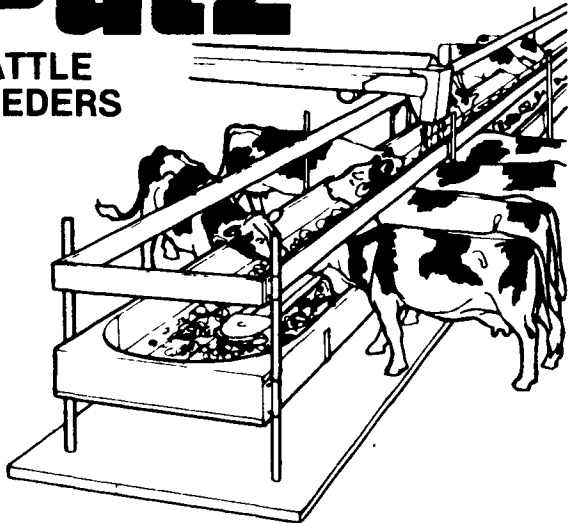
**Get proven performance from rugged Patz material moving systems**

**ADAPTABLE TO MANY USES**      **HIGH CAPACITY**  
Performance strong as steel



## Patz

**CATTLE FEEDERS**



Chain and flites for simplicity and economy ... Model 400 feeder fits straight line bunks up to 200 ft. long ... move all types of feed smoothly around bunk without sifting or separating

The 98-B Surface-Drive Unloader

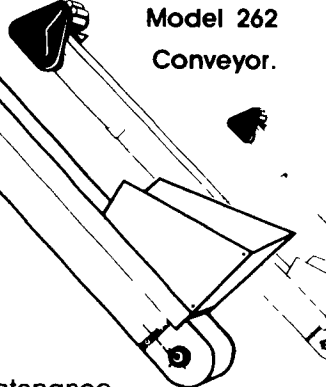


**New low-cost conveyor.**

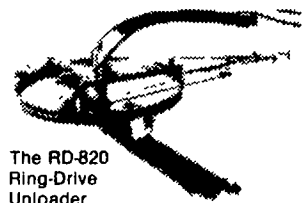
## Patz

- High capacity
- Lengths Up to 25 feet
- All-belt drive for low maintenance
- Galvanized steel, all bolted construction
- Detachable steel chain with steel-braced 2½ in. rubber flites.

Model 262 Conveyor.

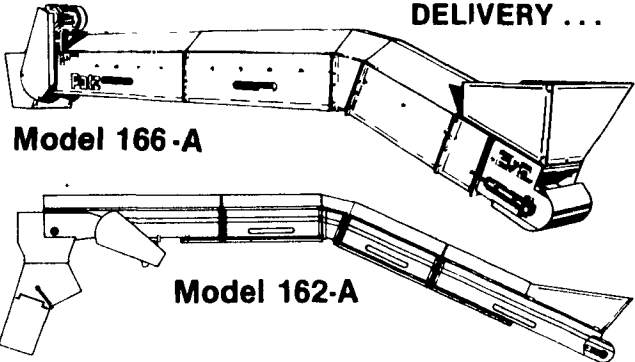


The RD-820 Ring-Drive Unloader



## Patz CONVEYORS

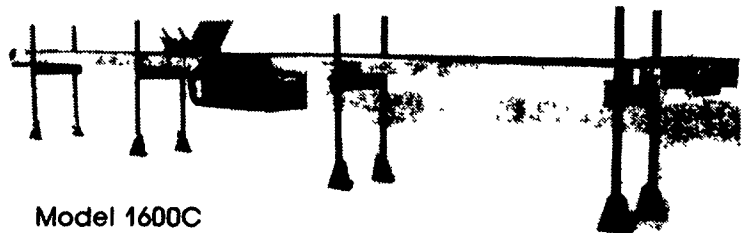
**BIG CAPACITY ... FAST DELIVERY ...**



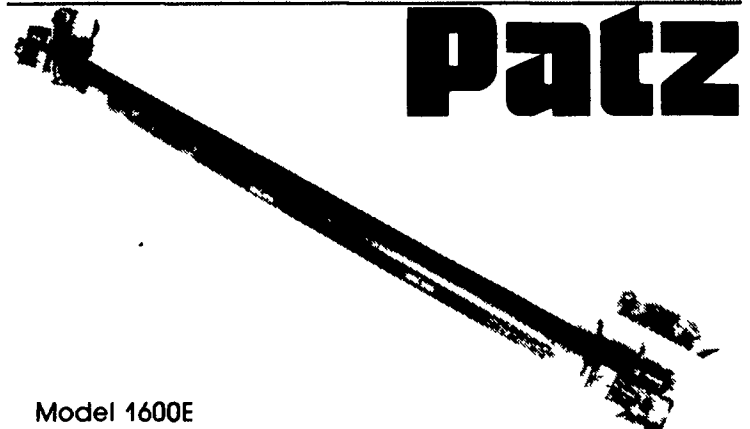
Model 166-A

Model 162-A

Built rugged for efficient, high-volume feed handling. Economical chain-and-flite action moves feed smoothly without sifting or separating.



Model 1600C



Model 1600E

## Patz

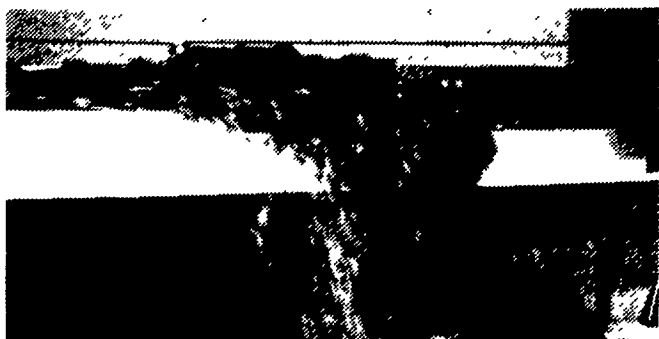
### New Belt Conveying Features:

**Model 1600C (central-drive):**

- Reversing drive can convey feed in either direction
- Drive unit can be located at various points between the ends for convenient installation
- Lengths. 10 to 200 feet

**Model 1600E (end-drive):**

- Motor mounts top or bottom on the end for easy installation
- Lengths. 4 to 30 feet



## Patz BELT FEEDER

For fast, reliable, feeding plus... easy maintenance and low investment.



Quality Service Since 1922

**Longacre**  
ELECTRICAL SERVICE, INC.

602 Main St.  
Bally, Pa. 19503  
Phone 215-845-2261