

York Co. DHIA

(Continued from Page D19)

Jessie	3	4 1	236	15,875	4 6	733
Charie	3	4 0	305	18,740	4 1	772
Buffy	3	3 2	283	22,033	3 6	798
Leroy Bupp						
Begonia	3	8 7	305	18,563	3 7	686
#Barbie	3	4 8	305	20,263	3 6	722
Hidden Springs Farm						
Fran	3	9 7	305	18,892	4 6	860
Pauline	3	7 2	305	18,862	4 3	804
Nadia	3	6-6	305	18,635	3 9	735
Georgia	3	6-4	305	19,260	4 0	775
Olive	3	5 10	305	19,862	3 8	755
Paul R King						
#Snobrd	3	2 10	305	20,675	3 7	761
Wayne B Mummert						
62	3	4 10	305	21,286	3 3	707
64	3	4-2	305	22,818	3 5	799
53	3	2 0	305	15,776	4 3	685
Desota&Robt Burchett						
105	3	4-4	280	17,659	3 8	664
28	3	3 5	305	20,754	3 5	730
74	3	2-5	305	17,576	3 7	657
107	3	2 10	305	16,506	4 3	708
Dale & Darla Doll						
Dusty	3	6 11	305	17,725	3 9	698
Lynn Wolf						
Frances	3	8 0	305	18,500	4 1	761
Irene	3	5 7	305	29,110	3 4	993
Ivy	3	5-3	305	25,776	3 5	904
Idle	3	5 2	298	23,624	3 6	849
Libby	3	3 2	305	20,899	3 6	756
Horace E Heindel						
200	3	9-3	305	19,817	3 5	694
172-A	3	3-3	282	15,781	4 0	630
John H Doll Jr						
Susie	3	5 3	305	16,919	3 9	658
Charles Herr&Son						
Quinn	3	5 3	305	19,148	4 1	778
Wayshar Farm						
Tara	3	4 8	305	18,568	4 0	747
Rick L Cook						
Beatric	3	4-10	305	17,054	4 0	675

Elvin G Molison						
49	3	8 0	305	17,890	4 1	740
18	3	7 3	305	21,130	3 6	756
117	3	5 2	305	18,264	4 0	734
213	3	2 11	299	16 124	4 3	688
Smokey Hollow Farm						
81	3	6 9	305	19,202	3 6	696
90	3	3 7	305	22,275	3 6	807
162	3	3 6	305	20,971	3 2	680
Mervin W Hertzler						
Bonnie	2	5 4	305	14,950	4 4	652
Gary W Thoman						
37	3	7 5	305	23,320	3 4	802
B Robert Charles						
Babe	3	7 9	305	21,131	3 2	678
Hideho	3	2 1	305	18,656	3 6	663
Edwin L Calhoun						
25	3	4 7	305	17,025	4 3	732
Circle Creek Hol						
Star	3	6 6	305	18,267	3 6	664
David L&Chris Druck						
47	3	6-9	305	17,422	4 0	705
143	3	3 1	305	21,865	3 6	786
Robt Baumgardner Jr						
30	3	7 10	305	19,377	3 6	700
Becky	3	4-3	305	14,682	4 7	687
Big T Holsteins						
Star	3	4 1	305	22,160	3 2	716
Jacob Brubaker						
22	3	9-9	305	19,282	3 8	731
64	3	4-9	305	20,572	3 5	719
John C Krone						
Kitty	3	3 5	305	15,577	4 2	662
Walkers Farm						
110	3	5 10	305	19,166	3 6	698
David Stewart						
Fifi 74	3	8-7	305	18,951	3 5	654
Flosie	3	5 1	305	21,280	4 1	876
Flee	3	5-11	305	22,521	3 8	864
Bli Y 2	3	2 11	305	21,185	3 6	762
Fawn Meadow Holstein						
50	3	4 11	305	19,110	4 3	819
40	3	1 10	305	16,544	4 1	674
Double D Farm						
D 64	3	9 11	305	16,333	4 2	690
Deal Holsteins Farm						
93	3	5-1	305	18,068	3 9	698
Leonard Greek						
Wanda20	3	4 8	305	19,380	4 1	787

Hopewell Center Farm						
15	3	4 0	305	16,759	3 9	650
Claude Holmes Jr						
Perdy	3	3 1	302	19,799	3 8	751
Betty	3	2 1	305	16 007	4 3	683
David M Emig						
147	3	2 5	305	18,243	4 2	759
McRal Dairy Farm						
430	3	7 2	305	22,268	3 8	843
470	3	6 3	305	18,963	4 2	795
101	3	5 11	305	17,365	3 8	661
118	3	5-2	305	27,020	3 3	901
131	3	5 3	305	17,568	4 3	764
135	3	5 4	305	20,008	4 1	815
172	3	4 3	219	17,151	4 1	708
177	3	4-7	254	16,705	4 3	711
Dputy40	3	3 9	305	19,760	3 7	733
Dputy46	3	3-6	305	22,837	3 7	849
367	3	2 1	305	17,957	3 9	700
370	3	2-3	305	19,113	4 0	769
William Ruppert						
Beth	3	0-0	305	16,113	4 0	652
Eisenhart Bros						
320	3	4 2	300	16,451	4 3	713
Wayne E Myers						
Pam	3	2 1	305	18,195	4 1	747
42	3	8-9	305	20,867	3 6	748
Kenneth G Glatfelter						
29	3	3 1	305	18,289	3 6	650
Dan & Patti Hushon						
Brandy	5	3 6	305	16,163	4 1	657

WASHINGTON COUNTY, MD DHIA D.H.I. High Herds Last test as of Aug. 8

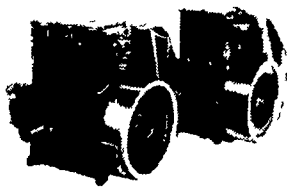
Lee B Worthington	136	51 2	17 536	679
Earl Grove Jr	109	48 7	18,108	672
William H Price	66	46 7	18,565	719
Edgar Paul Pryor	93	46 4	18 132	718
Owen E Martin	51	45 7	17 401	682
Harry L Frey Jr&Sons	93	45 6	13 119	666
Marlin Martin	39	45 2	18 777	701

SMUCKER'S SALES & SERVICE, INC.

RD #2, BOX 21
NEW HOLLAND, PA 17557



**TS2/TS3
AIR
COOLED
DIESELS**



12-36 bhp

**FOR PROMPT SERVICE CALL
717-354-4158 OR IF NO ANSWER
CALL 717-354-4374**



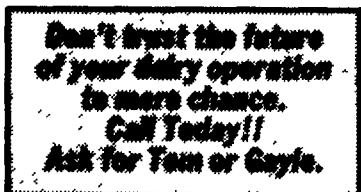
Protect Your Dairy Future!

Own Your Own Herd In 5 Years
For As Low As \$30 Per Month
Per Cow.

**Let Us Show You How Our Program
Can Work For You.**

BENEFITS INCLUDE:

- * Increase milk receipts
- * Receiving all the offspring and all the milk
- * Have culling privileges
- * Lease is tax deductible
- * You select the cows you want
- * Group insurance policy maintained on the herd.
- * Monthly consulting and reporting service
- * 50/50 Heifer Growing Program



NORTH AMERICAN CATTLE CORP.

3304 Mallard Cove Lane
Fort Wayne, IN 46804

219-432-8062

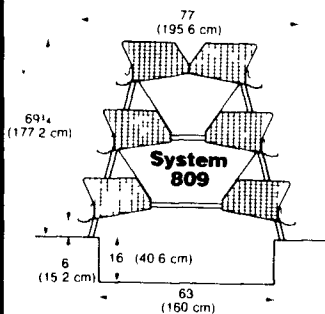


FARMER BOY AG, INC.

Distributor For
**DIAMOND
POULTRY SYSTEMS**
Farmington, Michigan

Diamond Systems

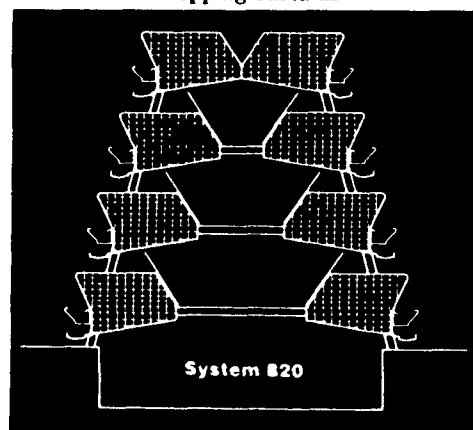
**2- and 3-High
Modified Stair-Step
Cage Layer Systems**



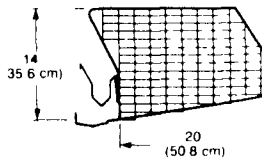
Exclusive
Contour
Cage
gives
birds
more
room

DIAMOND SYSTEMS

The All New Diamond Systems 4-High
Modified Stair-Step Cage Layer Systems With
Dropping Curtains



12, 15, or 24"
wide x 20" deep
4, 5, 8 or 9 birds
/cage



**SAVE ON INVESTMENT,
MAINTENANCE & OPERATION**
Ask Farmer Boy Ag How To Save As Much
As 50% Per Bird In Housing & Equipment
Cost In This All New Diamond 820 4-High
Cage Layer System.

SALES & SERVICE
For Buildings And Equipment
CALL

IRVIN HORST LARRY HORST
Office (717) 866-7565 Office (717) 866-7565
Home (717) 866-2815 Home (717) 949-3022

**New
Diamond Systems
3-High Starter-Grower**

SWINE & POULTRY SYSTEMS SPECIALISTS
FARMER BOY AG.
410 E LINCOLN AVE MYERTOWN PA 17067 PH 717 866 7565
BEST IN DESIGN, PRICE AND EXPERIENCE