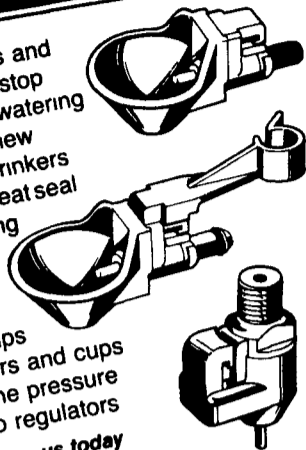


# MORE EVERYDAY SPECIALS FROM FARMER BOY AG!

✓ Check These Prices

LET US SHOW YOU SIMPLE SOLUTIONS FOR YOUR LEAKING CUPS OR NIPPLE DRINKERS

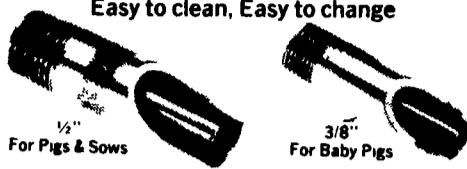
We have new drinkers and cups that will virtually stop leaks in your existing watering pipe systems. These new ZIGGITY SYSTEMS drinkers and cups have a triple seat seal which helps solve leaking problems. Also the valves activate in all directions; a unique design keeps Ziggity cups clean; and both drinkers and cups operate on very low line pressure provided by Ziggity-Flo regulators.



Phone or come see us today for your simple solution.

## LOW-COST, Trouble free Nipple Drinkers!

Easy to clean, Easy to change



1/2" For Pigs & Sows

\$2.75 ea

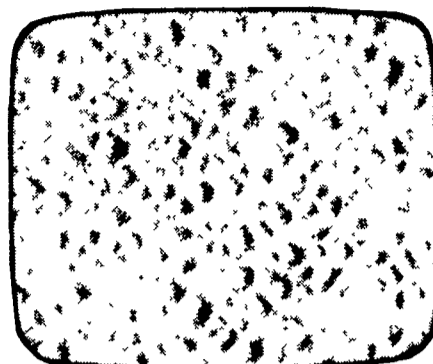
3/8" For Baby Pigs

\$2.25 ea

**ONE-PIECE BODY**  
Solid Stainless Steel construction, no tubes, sleeves or inserts. Smooth Finish.

- Easily Removable Screen Holder
- Brass Orifice
- Heavier Springs - No More Breaking of Springs

## WALL & CEILING LINER PANELS

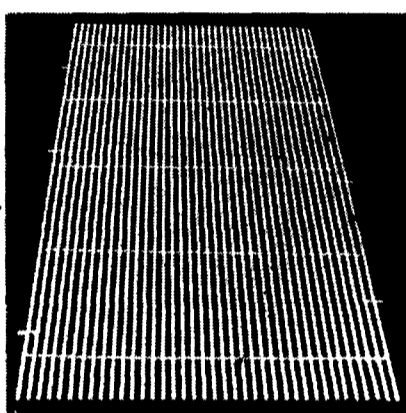


- GRADE A As Low As .80¢ Sq. Ft.
- GRADE B As Low As .50¢ Sq. Ft.

### NEW & USED EQUIPMENT FOR SALE

- 1 - New Davis Mfg. Stationary Mixer 4000 lb. Mixing Capacity
- 6 - New (old style) 4-Gal. Medicators
- 40 - Used Farrowing Crates w/Dividers
- 4 - Used Fans
- A Large Pile Of Cut Off Pieces Of Woven Wire Flooring (Make An Offer)

## TRIANGLE BAR FLOORING



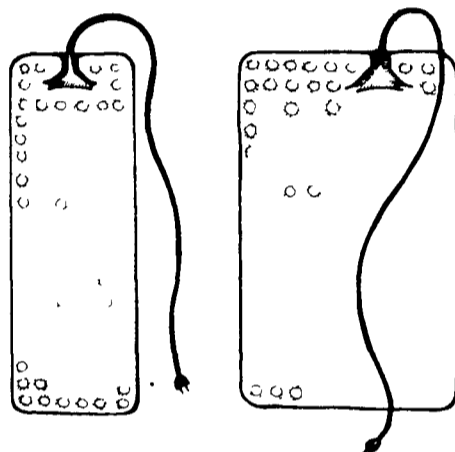
FOR

- Farrowing Crates
- Nursery Crates
- Grower & Finishing Houses

## FIBERGLASS HEAT MATS

As Low As

**\$21 PER MAT**



ALL SIZE MATS AVAILABLE

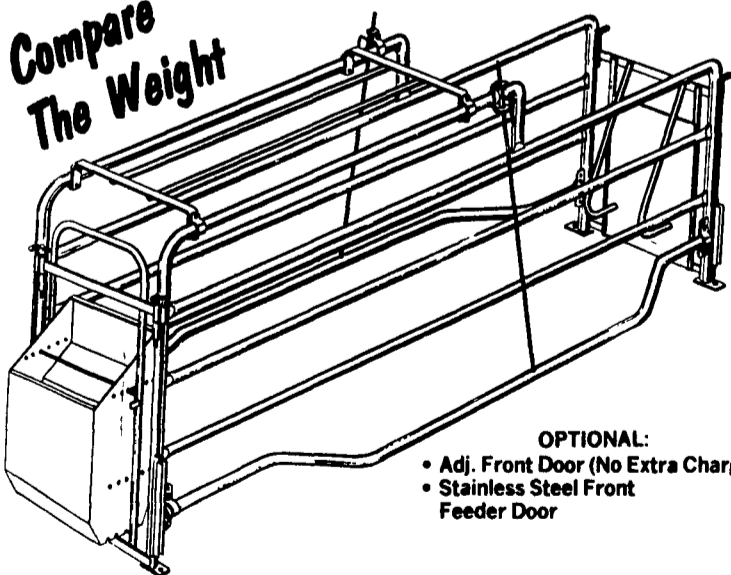
### GALVANIZED AND STAINLESS STEEL CABLE

Top Quality, All 7x19 Cable

SIZE	GALVANIZED	STAINLESS STEEL
1/8"	.08¢	.21¢
3/16"	.10¢	.32¢
1/4"	.13¢	.48¢
5/16"	.18¢	.71¢

## EXTRA HEAVY DUTY, HOT DIPPED GALVANIZED FARROWING CRATES

Compare The Weight



- OPTIONAL:
- Adj. Front Door (No Extra Charge)
  - Stainless Steel Front Feeder Door

This European style Farmer Boy crate reduces creep crushing because it is narrow at the top and wide at the bottom. This design prevents the sow from turning and ensures that she takes extra care in rising and lying down. The front and back doors open easily and without losing pins, with the new style J pin. The all welded construction, hot-dipped galvanized after fabrication, eliminates sharp edges that can cause injury.

## ATTENTION PORK PRODUCERS E-Z FLUSH SWINE WASTE TREATMENT

- CONTROLS PIT GAS PRODUCTION • IMPROVES SOLIDS HANDLING
- RETAINS MAXIMUM FERTILIZER VALUES • REDUCES LAND APPLICATION ODORS

E-Z FLUSH Waste Treatment Program Is Simple.  
E-Z FLUSH Stops Biological Activity in Wastes During Storage, With No Bugs Eating the Wastes, No Gases Are Produced, No Nitrogen Is Lost From Conversion to Volatile Ammonia, Land Application Odors Are Virtually Eliminated.  
E-Z FLUSH Neutralizes the Ionic Attraction That Makes the Solids Stick Together, the Wastes Are Not Sticky, Therefore They Pump Much Easier

Mike Stueham  
Plum Creek Pork Co., NE

"Reduced deaths in nursery — 20 pigs for 2 gal. E-Z FLUSH"

Sam K. Stoltzfus  
Loganton, PA

"No foul land application odors."

"We have a 500 sow feeding pig operation with a Sands building with 4 foot deep pull plug pits to a lagoon. Before we started using E-Z FLUSH, we had solids built clear up to the slats at each end of the 4'x4'x160' pit which the five nursery rooms, the plug is in the middle, 60' from each end and was intended to operate as a trickle-type pit. By using E-Z FLUSH as recommended, we have steadily reduced the solids in these pits. Each time we pull the plug, we gain a little. At this time we have reduced the solids to the point that we are allowing the pit to trickle and only pulling the plug when we pump the lagoon. There are usually 1000 pigs in the nursery. Before using E-Z FLUSH to control the pit gases, we were running 40 to 50 dead pigs a month out of the nursery. Now we are losing less than 20 per month and the only change we made was starting on the E-Z FLUSH program. Saving 20 pigs a month by using two gallons of E-Z FLUSH is a real bargain."

"I am a hog producer with a 12 crate farrowing house plus nursery room for 200 pigs up to 60 pounds. This building is 28 ft. by 56 ft. and is fully pitted. We started using E-Z FLUSH in Jan. 1984, and we have noticed a considerable improvement in the manure odor in the building as well as on the field. The last time we spread on the field, which was the first treated manure, we didn't have the usual foul odor until about a week later. We thought then the E-Z FLUSH must have lost its power, but learned later the neighbor was spreading untreated manure adjacent to our field. With our operation, we feel that by changing from our present concrete floors to woven wire and continuing on the E-Z FLUSH program, we could easily double our capacity, in the same building."

### ADVANTAGES TO THE PRODUCER FROM THE E-Z FLUSH WASTE TREATMENT PROGRAM

1. Reduced expenditures for animal health products.
2. Reduced death losses.
3. Reduced winter heating costs.
4. Prolonged equipment and building life.
5. Reduced feed costs and time-to-market.
6. Reduced producer health hazards.
7. Maximum nutrient retention in wastes.
8. Reduced risk of loss of animal and human life during pit emptying.
9. Reduced risk of animal deaths during power outages.
10. Reduced land application odors.

Swine Systems Specialists

# FARMER BOY AG.

410 EAST LINCOLN AVE. MYERSTOWN, PA 17067 PH: 717-866-7565

**BEST IN DESIGN, PRICE AND EXPERIENCE**

Quality Is Our Name - Low Price Is Our Aim

Compare The Weight On All Our Extra Heavy Duty, Hot Dipped Galvanized Hog Equipment