

FARM EQUIPMENT

FARM EQUIPMENT

FARM EQUIPMENT

FARM EQUIPMENT

FARM EQUIPMENT

FARM EQUIPMENT

FARM EQUIPMENT

# MESSICK FARM EQUIPMENT, INC.

Farm Equipment Is Our Business  
RHEEMS EXIT, RT. 283, ELIZABETHTOWN, PA.

PH: (717) 367-1319 Toll Free In PA. 1-800-222-3373 Warren Spickler-Home 653-4560 We Ship UPS

THE NEW NUMBER  
**1**

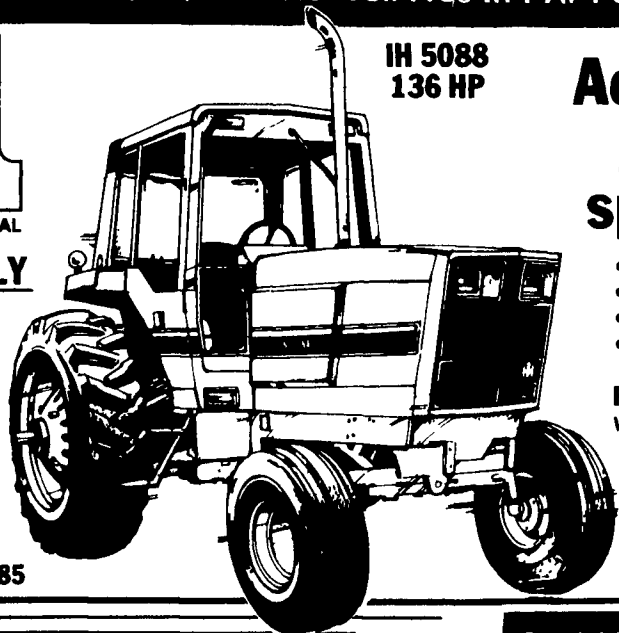
INTERNATIONAL

ONE ONLY

Special Deal On Demo Unit

Waiver of Finance Till

March 1, 1985



IH 5088  
136 HP

**Advanced Drive Train gives you an ideal speed for every job!**

- Exclusive Power Priority hydraulics
- Exclusive Forward Air Flow cooling
- Smooth, easy Synchro-Tri-Six Shifting
- 2 wheel drive and all-wheel drive models available

PLUS... A 3-year or 2500-hour extended warranty on the engine and drive train!

\*Official test

Gives You #1  
• PERFORMANCE  
• PRODUCTIVITY • RELIABILITY

Let Us Give You A Demonstration

IH 5288  
162.6 PTO HP



THE NEW NUMBER  
**1**

INTERNATIONAL

## A GOOD SELECTION OF USED EQUIPMENT

### HAY & FORAGE

- IH 56 Blower, HD PTO
- AC Model K Combine w/Platform & 3 Row Corn Head, Ex Cond
- NH 892 Harvester w/919 N3 Corn Head
- NH 479 Haybine
- NI 5 Reel Rake
- (2) Dion Forage Box Wagons
- IH 1190 Mower Conditioner
- NH 2 Row Snapper Head
- Gehl 600 Harvester 2 Row & Pickup

- New Idea 1 Row Corn Picker (Nice)
- NH 880 Harvester w/2 Row Corn Head
- NH 88 Forage Box & 234 Wagon
- HD Big Bale Mover
- IH 60 Shredder 6 Row
- IH 50 Shredder 4 Row
- NH 822 Corn Head
- NH 276 Baler w/Thrower
- NH 489 Haybine
- NH 273 Baler w/Thrower
- NH 718 Harvester w/1 or 2 Row Cornhead

### TRACTORS

- NH 24 ft Elevator
- IH 340 Tractor, Fast Hitch
- IH 5088, 136 HP, 300 hrs
- IH Cub Lo Boy
- Farmall A

### SKID LOADERS

- NH L425, Rental Unit
- NH L775 Diesel, Deutz 50 HP

### ATTENTION FARMERS:

If Parts Are Needed After Hours To Keep You Going, Call Jay Gainer, Our Parts Mgr. At Home 367-7926

### MISCELLANEOUS

- Grain-O-Vator Grain Cart
- Pequea Hay Tedder, 7 ft
- Little Giant 40 ft Elevator
- Herd Fertilizer Spreader & Seeder
- NH 352 Grinder Mixer
- NH 234 Wagon w/Flotation Tires
- S P Case Combine w/15 ft Platform & 6 Row Cornhead, Good Cond., Only \$8500

### TILLAGE

- JD 350 6 Bottom Plow
- IH 440 Plow, 4 Bottom 16" Demo
- IH 700 4 Bottom Auto Reset Plow
- Brillion 14 Ft Transport Harrow
- Glencoe 9 Shank Soft Saver w/New Disc
- Brillion 10 Ft Culti Packer
- IH 350 Disk Harrow, 12 ft, Nice
- JD 10 ft Rotary Hoe

### PLANTERS

- IH 400 Planter 6 or 4 Row
- White 4 Row Air Planter

### SPREADERS

- NI 214 3 Beater Spreader
- NH 519 Spreader 2 Beaters, Hyd Gate
- NH 516 Spreader
- NH 362 Tank Spreader
- NI 224 Spreader, 2 Beaters, 10 Ton
- NH 791 Spreader

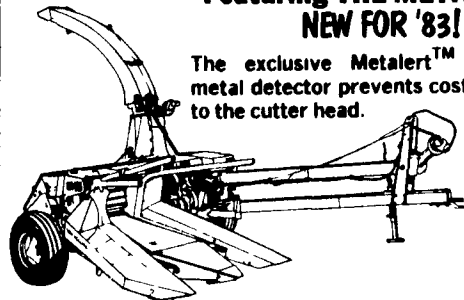
# MESSICK... YOUR HARVESTER SPECIALISTS



## NH 782 FORAGE HARVESTER

Featuring THE METALERT™ NEW FOR '83!

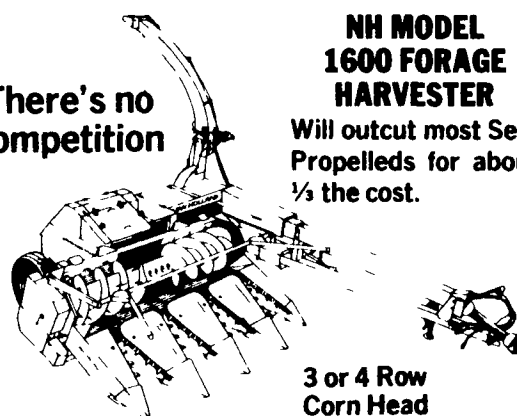
The exclusive Metalert™ electronic metal detector prevents costly damage to the cutter head.



**CHECK OUT THESE EXCLUSIVE FEATURES AVAILABLE ON ALL MODELS**

- Metal Detectors
- Flip-Up Feed Rolls
- Heavy Duty PTO
- Electric Controls
- Double edge underbeveled Knives (never requires rebeveling)
- 2, 3 & 4 Row Harvesters, Have Adjustable Row Crop Heads

There's no competition



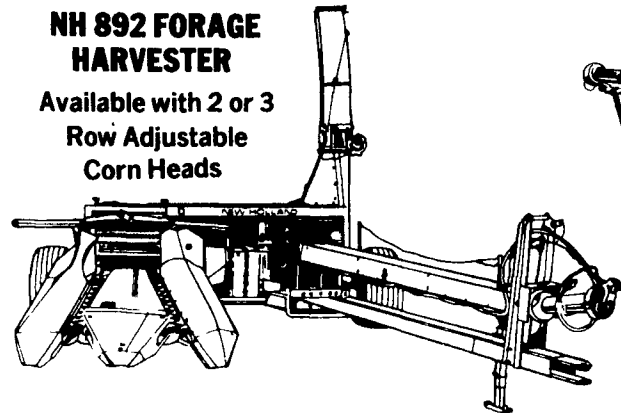
## NH MODEL 1600 FORAGE HARVESTER

Will outcut most Self-Propelleds for about 1/3 the cost.

3 or 4 Row Corn Head

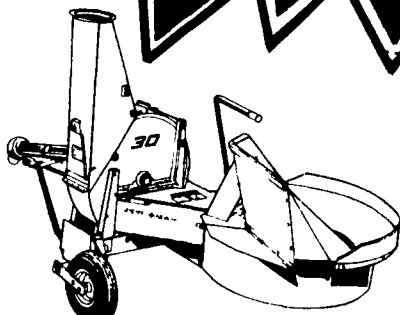
## NH 892 FORAGE HARVESTER

Available with 2 or 3 Row Adjustable Corn Heads



## NH MODEL 30 FORAGE BLOWER

High Capacity 1000 RPM

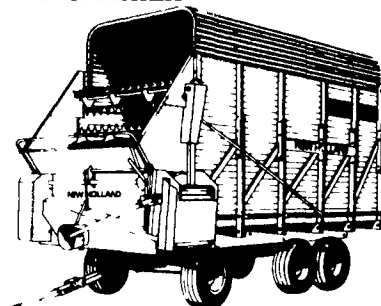


## NH 1900 FORAGE HARVESTER

A New Giant, 250 H.P. Strong



## NH #8 CROP CARRIER



12 Ton Running, Flotation Tires

- Features:
- Front & Rear Unload
  - Worm Gear Drive
  - Variable Speed Control
  - Heavy Duty Chains

### NEW PROGRAM:

- WAIVER OF FINANCE on HAY EQUIPMENT Till July 1, 1985
- WAIVER OF FINANCE on FORAGE EQUIPMENT Till Sept. 1, 1985
- OR LOW RATE FINANCING on NEW & USED EQUIPMENT

- 4.9% Financing For 1 Yr.
- 7.9% Financing For 18 Mos.
- 9.9% Financing For 24 Mos.
- 11.9% Financing For 36 Mos.
- 13.9% Financing For 60 Mos. (Self-Propelled Units Only)

OR BIG CASH REBATES

# MESSICK FARM EQUIPMENT, INC.

RHEEMS EXIT — RT. 283, ELIZABETHTOWN, PA  
PHONE: 717-367-1319, 653-8867  
TOLL FREE IN PA. 1-800-222-3373  
WARREN SPICKLER — HOME 653-4560

★ WE SHIP UPS

