

Young Ayrshire breeder

(Continued from Page A28)

breeding. Sires in the herd include Hammonds Oracle, Meredith Liberator, Betty's Chad, and lately Lewis has been using Mr. Ross and Hi Champ. Flashy Spirit, a new bull introduced this summer, has also been added to the list.

The appropriate name of Valley Furnace Farm, recorded with the National Ayrshire Breeder's Association, holds true as a furnace built back in 1985 overlooking the homestead is still standing. L.C. Hall Company constructed the mammoth structure of uncut stone, 36-square-feet at the base, four arches and a 10-foot diameter bosh making it one of the largest stone furnaces.

According to Lewis, coke was burned in piles near the furnace and was used in place of charcoal. Iron ore was mined in the surrounding properties and then hauled to the top of the furnace by a bridge. When ingots (a mass of metal) were finished they measured about 4X4X4 feet long and weighed approximately 200 pounds.

Lewis, the oldest of the Thomas children, has a sister, Georgiann, and a younger brother, Wade. A nephew, 3-year-old Michael, adds

delight to the farm.

Although Ayrshires aren't as large as the dominant Holstein cow, they are known to produce high quality protein and butterfat content. They also have proved to be the breed for Lewis to maintain, giving his future dairy operation an investment with unlimited potentials.



Lewis Thomas stands in the pit of his double-three parlor which was built just four years ago.

Ayrshire Breeders

(Continued from Page A28)

tative Barb Weas, Brandon, Vt., commended the state Ayrshire Breeders for their outstanding herds, their enthusiasm, the impressive farms throughout the state and summed up her speech by telling all to keep up the good work.

Secretary/treasurer Milton Brubaker presented production awards for herds and individual cows. The awards were based on

production records from October 1982 to October 1983.

Ardrossan Farms, Villanova, with a herd of 121 cows, topped the list with 18,303 pounds of milk and 768 pounds of fat with a 4.2 percent fat test. Heindel Farms, Womelsdorf, tied with Harold G. Skelly, Manheim, for milk production with 14,566 pounds but took the fat award with 610 pounds on 25 cows. Skelly's herd of 16 cows recorded 603 pounds of fat.

Connebella Farm, owned by Charles Gable of Elverson, took fourth place honors with 69 cows producing 13,758 pounds of milk and 597 pounds of fat. Fifth place was split between Harold Kulp, Pottstown, and A. Ronald Martin, Mill Hall. Kulp took the milk award with 13,730 pounds of milk and 551 pounds of fat on 69 cows. Martin's 75 cows produced 13,217 pounds of milk and 562 pounds of fat to take fifth place in fat production.

Ardrossan Farms received a total of 15 certificates for milk, fat and protein in the two, three, four, five and six years and over classes. The awards are as follows.

Two-year-olds: Milk and Fat - Ardrossan M Boy's Belmost, 19,713 pounds of milk and 848 pounds of fat with 4.3 percent fat; Protein - Ardrossan Hik Rose Lette, 16,648 pounds of milk, 670 pounds of fat and 572 pounds of protein at 3.4 percent protein.

Three-year-olds: Milk and Fat - Ardrossan Hik Betina, 23,363 pounds of milk and 1,033 pounds of fat with 4.4 percent fat; Protein - Ardrossan M Boy's Lucite, 17,849 pounds of milk, 926 pounds of fat and 671 pounds of protein at 3.8 percent protein.

Four-year-olds: Milk - Ardrossan P.V. Noble Rose, 23,252 pounds of milk and 907 pounds of fat with 3.9 percent fat; Fat and Protein - Ardrossan M. Bi Bell Chime, 21,875 pounds of milk, 959 pounds of fat, 765 pounds of protein and 3.5 percent protein.

Five-year-olds: Milk, Fat and Protein - Ardrossan S. Bell Ring, 26,624 pounds of milk, 1,105 pounds of fat, 831 pounds of protein at 3.1 percent protein.

Six-year-olds: Milk - Ardrossan S. Bell Ring, 26,709 pounds of milk and 987 pounds of fat with 3.7 percent fat; Fat and Protein - Ardrossan Sultans Noting, 25,089 pounds of milk, 1,001 pounds of fat, 840 pounds of protein at 3.3 percent protein.

Winning the yearling class were: James W. Martin, Stevens, with Cocalico Stars Lisa, 13,505 pounds of milk, 493 pounds of fat and 440 pounds of protein; Heindel Farms, Womelsdorf, for fat on Heindel B. Sueann, 12,857 pounds of milk, 546 pounds of fat and 417 pounds of protein; and Warren A. Schmuck, Peach Bottom, for protein on Pineland Star Ladle, 12,526 pounds of milk, 485 pounds of fat and 444 pounds of protein.

President Harold Rader thanked the Thomas family for having the state club field day at its picturesque farm and noted progress of the Keystone Elite Sale, to be held Sept. 25 at the Farm Show Complex building in conjunction with the All-American dairy show. Consignments are yet needed and are to be given to Barb Weas, Kennard Henley or to Rader as soon as possible.

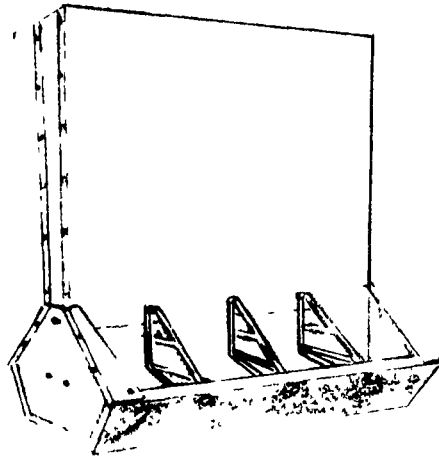
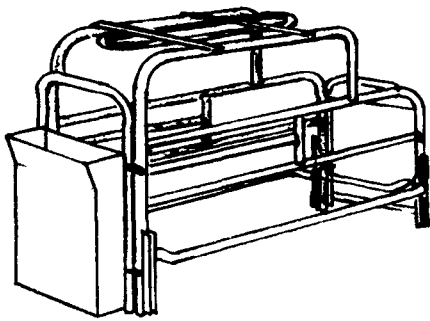
Rader entertained the board of directors meeting following the program before turning it over to Earl Keefer, chairman of the 1986 Annual National Ayrshire Convention to be held at Grantville, hosted by the Pennsylvania Club. Keefer noted progress made on the event and called for a committee meeting following the main program.

The Systems Approach of Hershey Equipment lets you put it all together

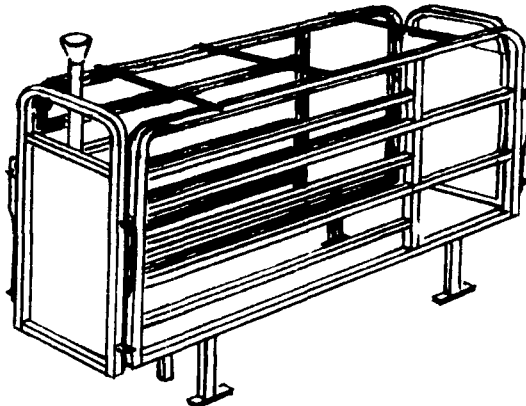
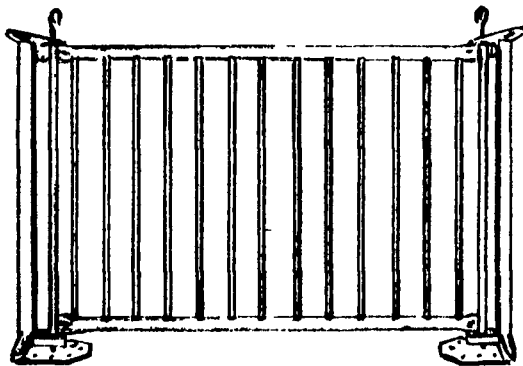
Today's profit minded poultry, swine, and grain producers must think in terms of an automatic system.

"System thinking" can help you plan away problems before you begin, or it can help you automate away problems you now have.

Hershey Equipment Co. is geared to provide all components of the system including equipment, plumbing, electrical and building. This will assure that the pieces will fit together to form a profitable system.



H **HERSHEY Hog Systems**
Hot Dip Galvanized



H **HERSHEY EQUIPMENT COMPANY, INC.**

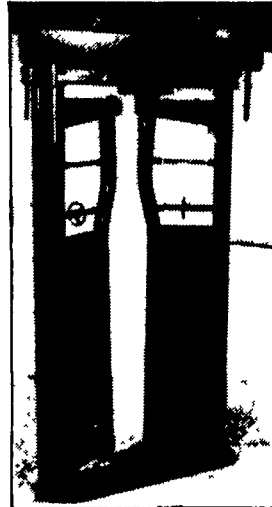
SYCAMORE IND. PARK
255 PLANE TREE DRIVE
LANCASTER, PA 17603
(717) 393-5807

Route 30 West at the
Centerville Exit.

Designers of Quality Systems for Poultry, Swine and Grain Handling.

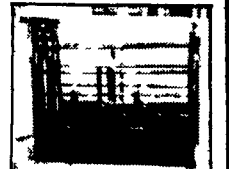
PAUL B. Zimmerman
INC.

AUTOMATIC CATCH GATE



FEATURES

- Easily Operated By One Person
- Easily Adjustable For All Sizes of Cattle
- Operates Left or Right
- Double Link on Doors For Extra Strength
- One Side Spring Loaded For Extra Safety



CATCH PEN AVAILABLE WITH 3 POINT LIFT

PAUL B. ZIMMERMAN, INC.

Hardware • Farm Supplies
Custom Manufacturing • Crane Service
Box 128 R.D. #4, Lititz, PA 17543
Wood Corner Rd.
1 Mile West of Ephrata
Phone: 717-738-1121