

## Migrant meeting slated

MARTINSBURG, W.Va. — Issues and laws involving migrant and seasonal farm laborers will be the topic of discussion at a public meeting in Martinsburg, W.Va. The session is scheduled for Sept. 19, at 7 p.m., in the James Rumsey Vocational/Technical Center on Route 6 in Martinsburg.

Sponsored by the Philadelphia regional office of the U.S. Department of Labor, the meeting will give farmworkers, growers, farm labor contractors and community groups an opportunity to comment and offer suggestions to the department on its laws and programs in West Virginia, Virginia, Maryland, Pennsylvania and Delaware.

"Representatives from the Labor Department's Employment Standards Administration, Occupational Safety and Health Administration, and Employment and Training Administration will explain their programs and answer questions," said Charles M. Angell, regional administrator for the department's employment standards in Philadelphia and chairman of the Farm Labor Coordinated Enforcement Committee.

Angell said the session also will focus on the Migrant and Seasonal Agricultural Worker Protection Act (MSPA), now in its second year of being in force. The act replaced the Farm Labor Con-

tractor Registration Act (FLCRA) of 1963.

The meeting is free and open to the public. Pre-registration is not required. Those needing more information may contact Albert Pinter, regional coordinator for farm labor, P.O. Box 8796, Philadelphia, Pa. 19101. (Telephone 215-596-6368)

## DuPont forms ag unit

WILMINGTON, Del. — The Du Pont Company has formed a New Business Ventures Division in the Agricultural Chemicals Department.

The new division will have responsibility to licensing and acquisition of new agricultural products and businesses for the department.

"Creation of the new division reflects Du Pont's strategy to further strengthen our commitment to agriculture, a high potential business that has been important to the company for 55 years," Dale E. Wolf, Group Vice President - Agricultural Chemicals, said today.

John M. Hardinger has been named director of the New Business Ventures Division.

## Lancaster Farming Subscription Service

### • CHANGE OF ADDRESS?

Please give us 3 weeks advance notice. Attach label from current paper and attach in space provided; write in your new address below. Changes will be made as close to requested date as possible.

### • Entering a NEW Subscription?

Check the proper box and fill in your name and address. Attach your check, \$7.50 per year or \$13.00 for two years in PA, MD, DE, NJ, NY, VA and WV. (All other areas - \$14.00 per year, \$24.00 for two years.) Payment must accompany order. Allow three weeks for delivery.

### • RENEWALS

To insure proper credit on all renewals please attach your mailing label from current paper to space provided and check the proper box below. No refunds

When writing us about your subscription please attach your Lancaster Farming mailing label here and mail the whole form to:

**LANCASTER FARMING,**  
P.O. Box 366, Lititz, Pa. 17543

PLEASE SEND LANCASTER FARMING:

(Check one)

\$ 7.50 - 1 YEAR      \$14.00 - 1 YEAR  
\$13.00 - 2 YEARS    \$24.00 - 2 YEARS

NEW SUBSCRIPTION

CHANGE OF ADDRESS

RENEWAL

ENCLOSED IS A

CHECK     CASH     MONEY ORDER

(Please supply information in full.)  
(Please print)

NAME \_\_\_\_\_

ADDRESS \_\_\_\_\_ BOX \_\_\_\_\_

CITY \_\_\_\_\_ COUNTY \_\_\_\_\_

STATE \_\_\_\_\_ ZIP CODE \_\_\_\_\_



Subscribers to Lancaster Farming will receive one advertisement FREE each month in our Mail Box Market. Subscribers using the Mail Box Market will be governed by the following rules:

Limit your advertisement to 20 words; area code must be added to phone number and, due to repeated requests, please include your county for buyer and seller convenience; all advertisements must be mailed to the office by 5:00 P.M. Monday or same will be held over for next week's paper, no business advertisements accepted.

Include your Lancaster Farming mailing label and mail to:

Mail Box Market  
Lancaster Farming  
P.O. Box 366  
Lititz, PA 17543  
No Phone  
Calls Please

### MAILBOX MARKET

For Sale JD M tractor plow cultivators & sickle bar mower, good cond \$2150 York Co 717 292 4416

For Sale 8N Ford tractor has step-up loader & disharrow \$1395, NH 55 hay rake \$775 12A manure spreader \$375 717 354-0266

For Sale A frames for tobacco scaffold Abram F Stoltzfus, 29368 Stumptown Rd., Ronks Pa 17572

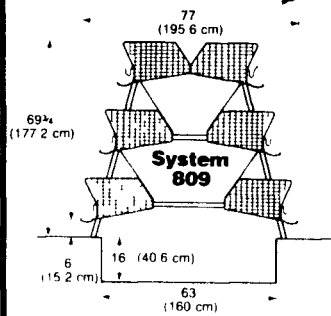
Wanted - Tobacco lath & scaffolding, used lumber, Lanc Co 717-684-0777

## FARMER BOY AG, INC.

Distributor For  
**DIAMOND  
POULTRY SYSTEMS**  
Farmington, Michigan

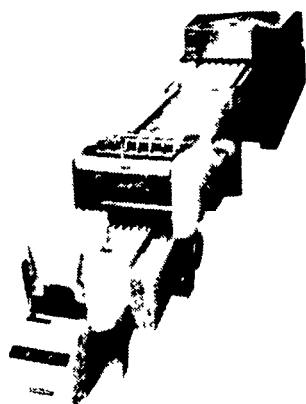
### Diamond Systems

#### 2- and 3-High Modified Stair-Step Cage Layer Systems



Exclusive Contour Cage gives birds more room

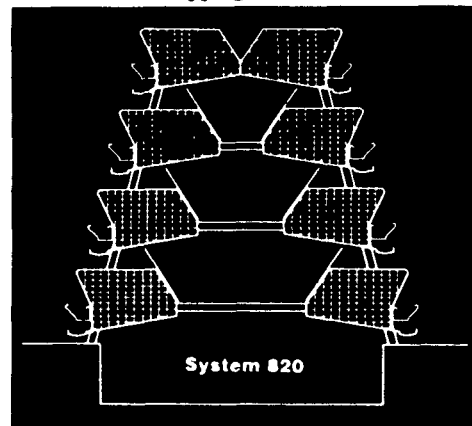
For Egg Packing You Can Bank On Us.  
**Diamond Automation's FARMPACKERS are... Eggscellent!**



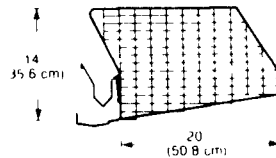
New  
**Diamond Systems 3-High Starter-Grower**

### DIAMOND SYSTEMS

The All New Diamond Systems 4-High Modified Stair-Step Cage Layer Systems With Dropping Curtains



12, 15, or 24" wide x 20" deep  
4, 5, 8 or 9 birds / cage



**SAVE ON INVESTMENT, MAINTENANCE & OPERATION**  
Ask Farmer Boy Ag How To Save As Much As 50% Per Bird In Housing & Equipment Cost In This All New Diamond 820 4-High Cage Layer System.

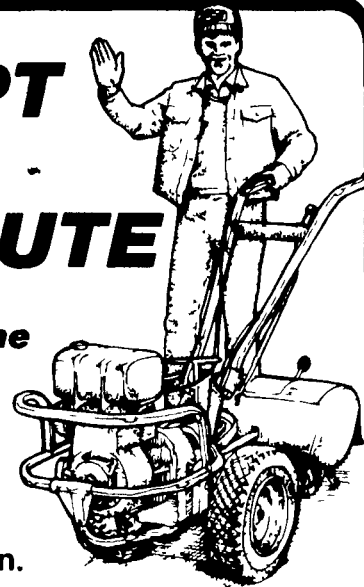
**SALES & SERVICE**  
For Buildings And Equipment  
CALL

**IRVIN HORST LARRY HORST**  
Office (717) 866-7565 Office (717) 866-7565  
Home (717) 866-2815 Home (717) 949-3022

SWINE & POULTRY SYSTEMS SPECIALISTS  
**FARMER BOY AG.**  
410 E. LINCOLN AVE MYERSTOWN PA 17067 PH 717 866 7565  
BEST IN DESIGN, PRICE AND EXPERIENCE

## ACCEPT NO SUBSTITUTE

There is only one  
**Troy-Bilt® Roto Tiller-Power Composter!**



- 3½ to 8 HP Models for every size garden.
- Over 750,000 satisfied owners!
- Outsells all competition by a wide margin!
- Over 50 years hand-assembled experience!
- We offer FREE Demonstrations and immediate Delivery!
- Trade-ins welcome. Financing arranged.
- Factory Authorized Sales and Service
- Full no-time-limit warranty.

**Reduced Summer Prices Now In Effect**



**Hollinger's**

Lawn & Garden Equipment, Inc.

TWO CONVENIENT LOCATIONS:

1755 W Main St  
Ephrata, PA 17522  
Located on Route 322  
Phone (717) 738-1131

1515 East Chocolate Ave.  
Hershey, PA 17033  
Phone (717) 533-4060