

SUPER SPECIAL OF THE WEEK

AC 5020 21 HP DIESEL CALL FOR OUR SUPER PRICE

New AC 6080 2WD w/Rops Model 6140, 6060, 6080, 8010, 8030

USED EQUIPMENT

Model 7020, PS tractor
7060 PS with cab
Mott 6' flail mower
Wilbeck 7 shank chisel plow
NI model 318, 240 corn picker
Swartz model 750 mix wagon
IH 1300, 7', 3 pt. hitch mower, new condition
AC 4 bottom SC plow
Used E-3 330 corn head, excellent condition
729 A New Idea Sheller Attachment
FALL CLEARANCE ON WOODS MOWERS

B. EQUIP. INC.

8422 Wayne Highway
Waynesboro, Pa. 17268
717-762-3193

JD 4010 diesel w/front and rear weights
Hesston 2000-150 harvester w/2 row White corn head
Grimm Tedder
Gehl 2 row snapper head to fit 600
Oliver 1750 diesel, 3 speed, \$4,300
Ford 3600 gas
NH 355 grinder mixer
NH 276 baler w/super sweep pickup
NH 27 blower
NH 268 baler w/thrower
NI 323 corn picker, excellent
Int. 140 tractor w/cultivator

Horning's Farm Machinery
Ephrata, PA
717-733-7408

TRIPLE H EQUIPMENT
Peach Bottom, Pa.
717-548-3775 or 717-548-2094



NEW VERMEER EQUIPMENT

- (1) 605H Baler
- (2) 504H Baler
- (1) 504G Baler
- (1) Hydraulic Drive Rock Picker
- (1) 10' No-Til Grain Drill
- (1) 21' Twin Rake
- (1) NH 256 Bale Buster
- JD Skid loader
- Owatonna 540 Stack Hand

NEW VICON EQUIPMENT

- (2) KM 321 Mower Conditioner 10' 6"
- (1) KM 281 Mower Conditioner 9' 5"
- (2) KM 240 Mower Conditioner 7' 10"
- (2) CM 240 Mower 7' 10"
- (3) RC 300 and 330 Tedder-Rake
- (2) 16' Tedder
- (3) Vicon Square Baler
- (3) 600 lb. Spin Spreader
- (2) Large Round Baler 1500 and 2000 lbs.
- (2) Double V Rake
- (4) Single 4 wheel Rake
- (1) Tandem Axle 500 gal. Sprayer with Electric Controls

Quality Used Equipment

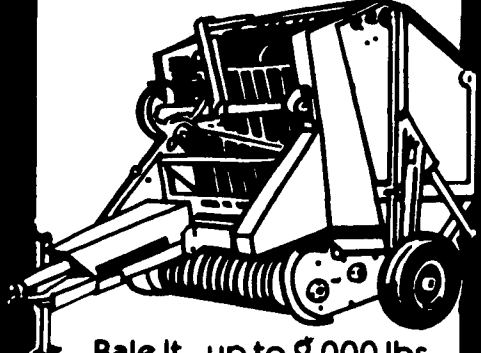
John Deere design dependability and dealers make the difference

- TRACTORS**
JD 8430 PTO, 3 pt.
JD 4250 Cab, PS, 95 Hrs.
JD 4020
JD 2640 D
JD 1530 D w/145 Loader
- COMBINES**
JD 7700 Hydro., Rotary Screen 2500 hrs.
JD 15 ft. Rigid Platform
JD 16 ft. Rigid Platform
JD 444 Corn Head
- HAY & FORAGE**
(2) JD 3800 Forg. Harv. w/2 RW Corn Head
- PLANTERS**
AC 4 row 330 Mon., Insec.
JD 7000 6 RN, No-Til, Dry Fert, Auger Fill
- TILLAGE**
JD 210 Disk 12' 10"
Ford 24' Disk
Brillion 12' Chisel Plow
JD 27 Flail Shredder
- LAWN & GARDEN**
GE Electric
JD 66 Rider
JD 100 8 h.p.
AC 420 20 h.p.
AC 410 10 h.p.

-Cooper Ent., Inc.-

"We Cater To All Farmers, Big or Small"
CECILTON, MD
Phone (301) 275-2195
(301) 648-5416
(301) 755-6608
Evenings Call Gary (301) 885-2248

HAY BALERS

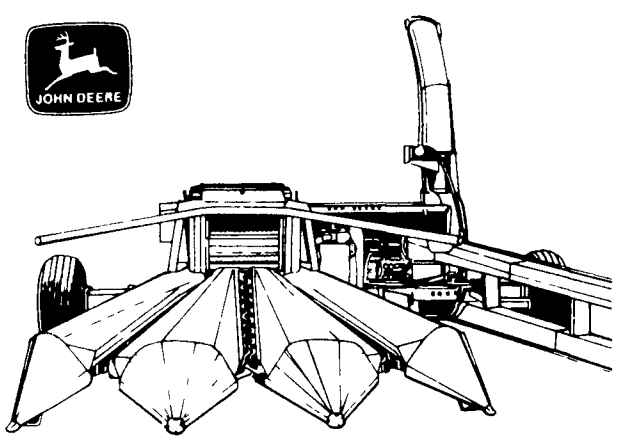


Bale it...up to 2,000 lbs. of hay in one package. Up to 15 tons per hour. Solid from the core to the outside wrap.

- 25% heavier than other large round packages 25% less spoilage
- A bale that retains its shape — and nutritional value — better than any other hay package in the field
- Five different models to fit your needs
- The best part? It's the most competitively priced baler in the field today!

DEERE'S COMMITMENT TO YOU

At John Deere, your new machine buy has a solid backing of parts, service, and good trade-in value

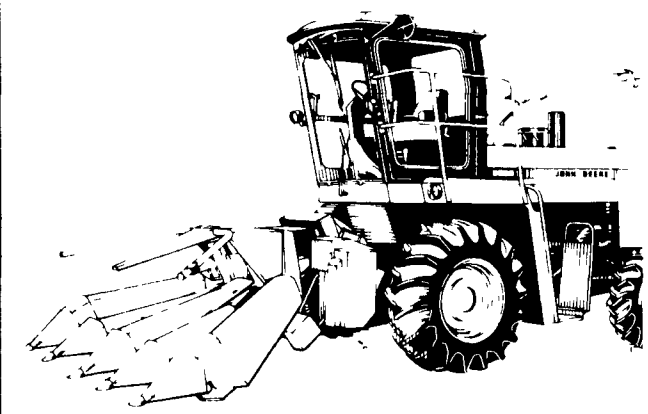


The Powr-Mizer forage harvesters offer an exclusive segmented-knife cutterhead

You get more than an ordinary chopper when you buy a John Deere 3940 or 3960 Powr-Mizer Forage Harvester. Both models provide the latest in advanced technology.

Like the segmented-knife Dura-Drum™ cutterhead. Or the quick-adjust stationary knife you can set in minutes. Or the 2-speed fan that lets you conserve horsepower and fuel with a slower speed in corn silage.

Come on by our store and see all the advanced features of these Powr-Mizer forage harvesters.



Time-Mizer self-propelled feature big engine horsepower for greater productivity

Increase your productivity with one of the big diesel John Deere self-propelled forage harvesters.

These self-propelled feature 40 segmented knives on a big 24-inch-diameter Dura-Drum™ cutterhead. The quick-adjust stationary knife lets you get the correct setting in just minutes.

The 290-hp 5820 and 225-hp 5720 let you harvest more tons per hour, more acres per day for the efficiency and capacity you want. Let us show you how the Time-Mizer design can increase your productivity.

Specials Of The Week - 1983 Prices On Both These Units. Waiver Of Finance Available Used Equipment Specials

JD 2630 Utility Tractor
JD 4440 Tractor w/Sound Guard Cab, PS Trans.
JD 2350 Tractor w/Front Wheel Drive, Low Hrs.
H Int. Tractor

6600 JD Combine w/Heads
L2 Gleaner
L2 AC Combine w/2 Heads
JD 95 Combine w/2 Heads
JD 24T Baler w/#2 Ejector
Int. 400 Baler w/Thrower
Lilliston 14' Rotary Mower

Vermeer

See Us At **AG PROGRESS DAYS**

RED WING FARMS
R.D. #1378
Fleetwood, PA
(215) 944-0402

TRIPLE H EQUIPMENT
R.D. #1, Box 164
Peach Bottom, PA
(717) 548-3775

Hours:
7:30 AM - 5:00 PM
thur Fri.
7:30 AM - 12:00 PM Sat.

OXFORD GREENLINE, INC.

RD 1, Oxford, PA
215-932-2753
215-932-2754



John Deere design, dependability and dealers make the difference