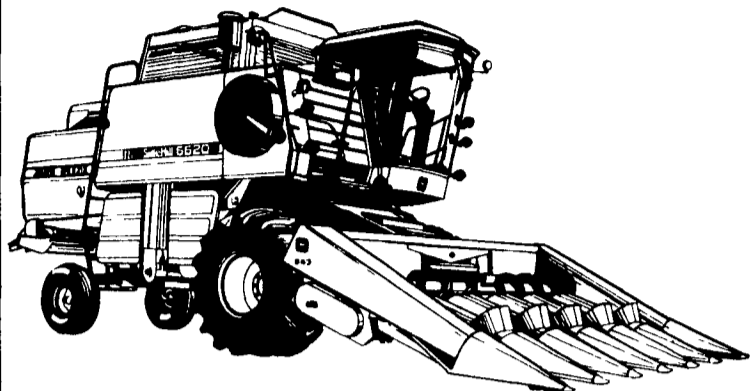




AUTOMATIC LEVELING



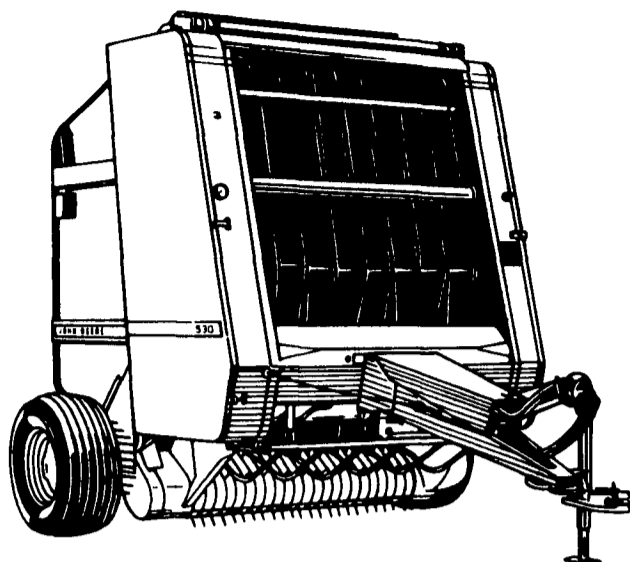
There's no need to slow down to prevent crop loss with a SideHill 6620

Maintain speed. Maintain efficient crop gathering. Maintain efficient separation. It's all possible with this unique Titan. Leveling is automatic on slopes up to 18 percent. The header follows the slope of the ground. The rest of the SideHill 6620 operates on the level.

The 145-hp diesel engine provides the power needed. The Sound-Gard® styled cab provides the comfort and control you need to direct your harvesting operation effectively.

Stop by and see us today. We'll gladly give you all the facts on SideHill Titan features like the optional HarvesTrak™ combine monitor, dual-range cylinder drive and heavy-duty adjustable rear axle.

LABOR-SAVING BALERS



John Deere round balers are an automatic one-man haying system

John Deere 430 and 530 Round Balers make it easy to be an expert operator, even for those who have no experience. And the innovative automatic design is the reason why.

The exclusive Bale-Trak™ monitor provides electronic guidance to help you make perfectly shaped bales, one after another. Simply steer left or right to keep two arrows lined up. No more guesswork.

A fast-working pickup, large feed opening, and textured forming belts start the bale on its way. And an automatic twine arm finishes the job.



Mow it, bag it. One-step lawn care with John Deere Lawn Tractors



Take care of your mowing and bagging chores in one operation with a John Deere lawn tractor and optional 6½-bushel rear bagger.

John Deere lawn tractors are available in seven models — the 8-hp 108 with 30-inch mower; the 11-hp 111 and 111H (hydrostatic) with 38-inch mower; and the 16-hp 116 and 116H (hydrostatic) with either a 38- or a 46-inch mower. All feature color-coded controls and roomy operator's area.

A rear-mounted grass collector is available for use with all John Deere lawn tractors and riding mowers that have a 30- or 38-inch mower. The two 3¼-bushel hampers can be lined with trash bags for added convenience. Windows in the top and front of the housing let you monitor the fill.

Stop in soon. We'll show you a tractor/bagger team that's hard to beat.



See us today for a John Deere

A.B.C. GROFF, INC.
New Holland, PA
717-354-4191

LEHIGH AG EQUIPMENT
Wescosville, PA
215-398-2553

The Long Green Line™

ADAMSTOWN EQUIPMENT INC.
Mohnton R.D. 2, PA
(near Adamstown)
215-484-4391

PIKEVILLE EQUIPMENT INC.

Oyster Dale Road
Oley RD2, PA
215-987-6277

COVERT & SONS, INC.
Neshanic Station, NJ
201-369-5241



Nothing runs like a Deere™

OXFORD GREENLINE
Oxford, PA
215-932-2753 -
215-932-2754

EVERGREEN TRACTOR CO., INC.
Lebanon, PA
717-272-4641

FOSTER EQUIPMENT SALES
Elmer, NJ
609-769-1535

H.R. GUTSMALL & SONS, INC.
Carlisle, PA
717-249-2313

ROBERT G. HAMPTON, INC.
Shiloh, NJ
609-451-9520

I.G. SALES
Silverdale, PA
215-257-5136

TAM SERVICES INC.
RD 4 Box 77A
Gettysburg, PA
717-334-9148
717-334-3710

KERMIT K. KISTLER INC.
Lynnport, PA
215-298-2011

LANDIS BROS. INC.
Lancaster, PA
717-291-1046

ROBERT E. LITTLE INC.
Ziegler, PA
215-287-9643

CLUGSTON IMPLEMENT, INC.
Chambersburg, PA
717-263-4103

GEORGE V. SEIPLE & SON
Easton, PA
215-258-7146

TOBIAS EQUIPMENT CO., INC.
Haltax, PA
717-362-3132

LOST CREEK IMPLEMENT
Oakland Mills, PA 17076
717-463-2161

WOODHULL EQUIPMENT, INC.
Medford, NJ
609-654-2011

M.S. YEARSLEY & SONS
West Chester, PA
215-696-2990

SMITH'S IMPLEMENTS, INC.
Mercersburg, PA
717-328-2244

NEUHAUS'ES
York, PA
717-428-1953

EVERGREEN ENGINES CO.
32 Evergreen Road
Lebanon, PA 17042
717-273-2662

ELDER SALES & SERVICE, INC.
Stoneboro, PA
412-376-3390
412-376-3740

BARRETT EQUIPMENT
Smicksburg, PA
814-257-8881

SOLLENBERGER EQUIPMENT
Everett, PA
814-652-5223