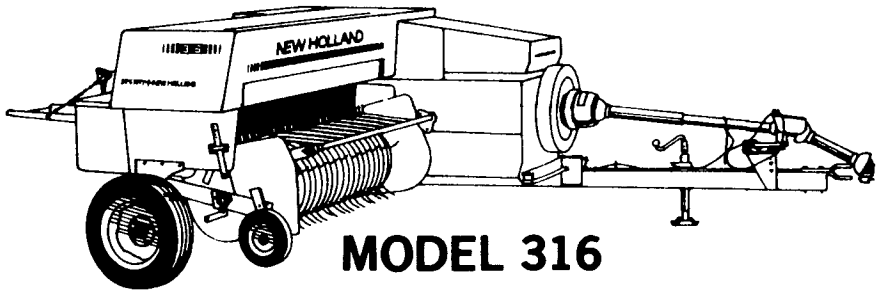




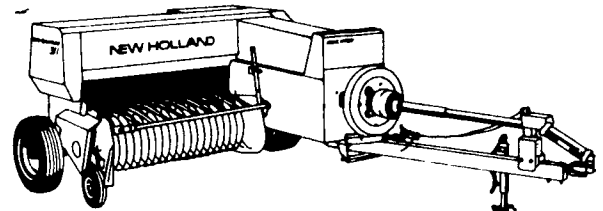
CHOOSE YOUR BALER FROM THE LEADER



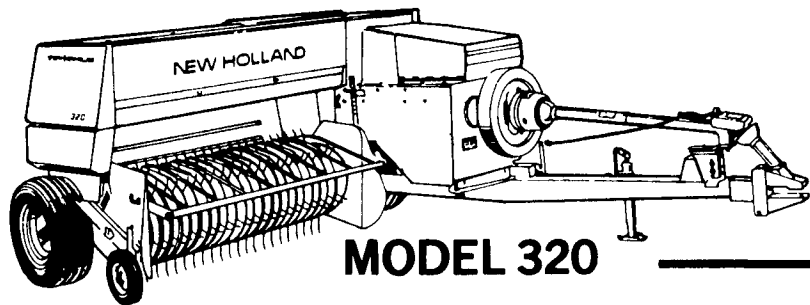
Baling Hay? How About Straw Or Corn Fodder? Want To Make Big Round Bales For Hay Or Silage? No Matter What Your Choices We've Got The Baler For You. We've Got More Ways To Help You Bale Right Than Any One Else In The Business. Balers That Will Do Any And All Of These Jobs. Choose From The Leader - Choose Sperry New Holland!



MODEL 316



MODEL 311



MODEL 320

- SPERRY NEW HOLLAND BALERS - THE "NEW OLD RELIABLES."

For over forty years Sperry New Holland balers have been known as the "Old Reliabels." They work long and hard making solid square bales and rarely miss a tie. Well now there are some New "Old Reliabels."

These Machines Are Designed To Be Even More Rugged And Reliable. We've got three 14x18 models from which to choose so that you can match your capacity needs. Ask for a demonstration today.

CHOOSE YOUR BALER - CHOOSE YOUR FINANCE PLAN

WAIVER

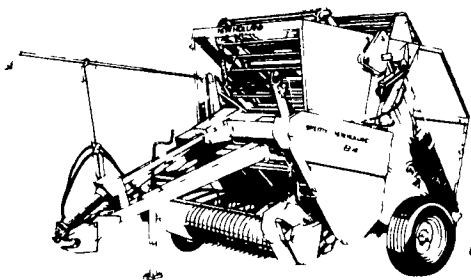
WAIVER OF INTEREST IS NOW AVAILABLE ON ALL HAY AND FORAGE PRODUCTS TO JANUARY 1, 1985

LOW INTEREST

3% FOR 12 MONTHS
6% FOR 18 MONTHS
9% FOR 24 MONTHS
10.9% FOR 36 MONTHS

CASH

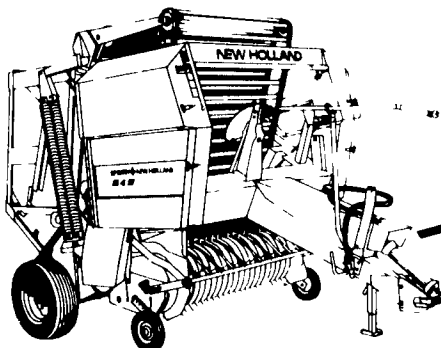
LARGE DISCOUNTS ARE AVAILABLE TO THOSE WHO PREFER TO PAY CASH IN LIEU OF SPERRY NEW HOLLAND FINANCING



847

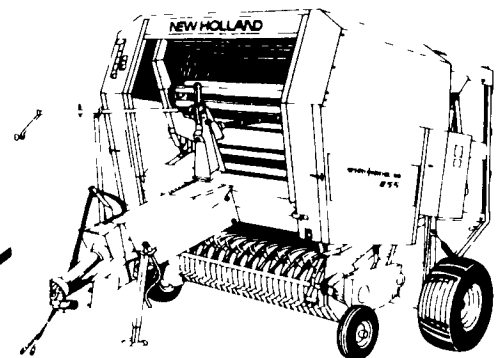
MODELS

849



SPERRY NEW HOLLAND ROUND BALERS - THE TRADITION CONTINUES

Sperry New Holland's fast becoming a legend in the round baler business just like we did with square balers. We've got unique design features like the exclusive roll floors that make our units second to none. Easy core formation and solid, dense well shaped bales produced by these machines give us our reputation. Take your choice from our four models.



855

MODELS

858

