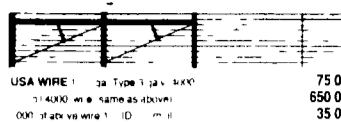
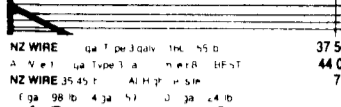

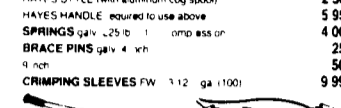
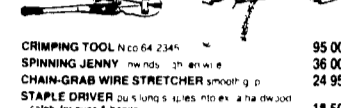
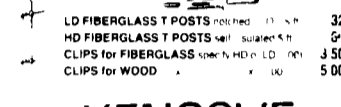
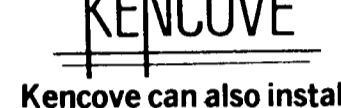

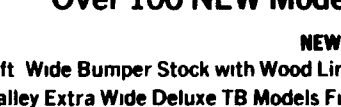
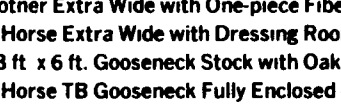
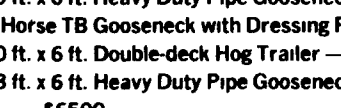


A LESSON WELL LEARNED... LANCASTER FARMING'S CLASSIFIED ADS GET RESULTS!

Phone: 717-394-3047 or 717-626-1164

KENCOVE "NEW ZEALAND STYLE" HIGH-TENSILE FENCE
NON-ELECTRIC OR ELECTRIC
STRONG • LASTING • ECONOMICAL

Pa. 800-442-6823
Other States 800-245-6902

USA WIRE 1/4" Type 1 galv. steel	75.00
1/4" X 1/8" wire same as above	650.00
000 staple wire 1/8" dia.	35.00
NZ WIRE 1/4" Type 1 galv. steel	37.50
1/4" X 1/8" wire same as above	44.00
NZ WIRE 35.45 ft. All High Tensile	75
Fig. 98 to 4.3a 5.1 3.0 3a 2.4 lb	
PERMANENT IN-LINE WIRE STRETCHERS	
DONALD'S STYLE No. 1 MINITITE	69
No. 2 New in 1984	175
HAYES STYLE (with aluminum cog spoon)	2.50
HAYES HANDLE required to use above	5.95
SPRINGS galv. 25 lb. 1/2" comp. ass. on	4.00
BRACE PINS galv. 4 wh	25
9 inch	50
CRIMPING SLEEVES FW 1/12 ga. (100)	9.99
CRIMPING TOOL No. 64 2345	95.00
SPINNING JENNY no. 64 2345	36.00
CHAIN-GRAB WIRE STRETCHER smooth grip	24.95
STAPLE DRIVER du. 5 long 5/16" dia. 1/2" dia. wood safety for eyes & hands	18.50
LD FIBERGLASS T POSTS (notched) 1/2" x 1/2" x 1/2"	32
HD FIBERGLASS T POSTS (notched) 1/2" x 1/2" x 1/2"	50
CLIPS for FIBERGLASS (spec. HD in LD) 100	3.50
CLIPS for WOOD 100	5.00

INSULATORS

WRAP AROUND INSULATORS (poly. Enk. 1/2")	7.50
DOUBLE U INSULATOR (1/2" dia. posts 201)	7.50
4" TUBE INSULATOR (1/2" dia. posts 201)	10.00
DOUBLE NAIL PIN ON INSULATOR (1/2" dia. posts 201)	15.00
STAPLE INSULATOR (hannel lock 1/2" dia. posts 201)	18.00
VOLTMETER DIGITAL READOUT (speed test)	69.00
ELECTRIC FENCE WARNING SIGNS (plastic)	7.00
SLINKY GATE (1/2" dia. posts 201)	7.50
39 ft. INSULTUBE (1/2" dia. posts 201)	6.00
UNDERGROUND CABLE (1/2" dia. posts 201)	35.00
CUT OUT SWITCH (stainless steel)	6.50
ENERGY LIMITER (for bottom wire use)	9.90
PEL PE6 PORTABLE FENCER (120 volt)	65.00
PEL PE12 BATTERY FENCER (12 volt)	156.00
PEL 100 POWER FENCER (110 volt)	280.00
3 lines x miles of heavy weathered fence	
LIGHTNING ARRESTOR (Two Tower)	3.50
HOT TWINE 6 Strands wire (100) 1/2" dia. L.E. 1/2" dia. (1/2" dia. ng. 660 ft)	11.90
1650 ft	29.75
HOT TAPE 5 wire (1/2" dia. 660 ft)	25.00
Electric Twine 3 strands wire (660 ft) limited	5.95
PEL REEL (use w. HOT TWINE pole)	23.00
PEL TRIPLE REEL (wind 3 Twine at 1/2" dia)	96.00
FIBERGLASS ROD POSTS (Portable 5 ft)	32
Attachable 1/2" dia. 1/2" dia. 1/2" dia.	10

FREE DELIVERY! Up to 10% of prepaid orders applied to shipping VISA MASTERCARD and UPS COD only 5% allowed for shipping Other payments after goods leave Blairsville = all freight extra Shipping immediately normally UPS FAST DELIVERY

KENCOVE

Kencove can also install fences

LIVESTOCK EQUIPMENT & SUPPLIES

TAPERED BOARD FEEDERS, double chain, wooden conveyors, custom built, since 1965, for cattle and hog feeding systems. Glasbord trough liners, 4x40, cut to length. Martin Rissler, Stevens, Pa. 215-267-2244

FACTORY SECONDS!! Schuld/Bushnell galvanized smooth wall hopper feed tanks. Several sizes 4.7 ton thru 16.5 ton, call or stop in and see them. Loucks Grain Equipment Inc., 717-755-2868.

Moorman Mfg. Co. Top-Kream Dairy Minerals to fit your forage. For Service 717-597-3031.

Wanted - Old Sunbeam clippers (Brown housings), ANY condition. Sherman Allen, R.D. 3, Box 540, Conneaut Lake, PA. 16316. 814-382-2922

Glasbord Paneling provides extremely cleanable and durable surface, 450 sq ft available. 60,000 BTU L.B. White heater. Chore time variable speed fan 717-684-8255.

HORSE - CATTLE - FLATBED TRAILERS
Over 100 NEW Models In Stock In 10 Brands

NEW UNITS

- 6 ft. Wide Bumper Stock with Wood Lining — \$2250
- Valley Extra Wide Deluxe TB Models Fully Loaded in Assorted Colors — \$2795
- Cotner Extra Wide with One-piece Fiberglass Roof — \$3295
- 2-Horse Extra Wide with Dressing Room — \$3295
- 18 ft. x 6 ft. Gooseneck Stock with Oak Floor — \$3295
- 2-Horse TB Gooseneck Fully Enclosed — \$3495
- 20 ft. x 6 ft. Heavy Duty Pipe Gooseneck with 16" Rubber — \$3500
- 2-Horse TB Gooseneck with Dressing Room — \$4500
- 20 ft. x 6 ft. Double-deck Hog Trailer — \$4950
- 28 ft. x 6 ft. Heavy Duty Pipe Gooseneck with Nose and 20,000 lb. Oil Bath Axles — \$6500
- 4-Horse Gooseneck with Side Ramp and Dressing Room — \$7500

FLATBEDS


- 16 ft. Equipment Trailers with Oak Deck, Stake Pockets, Ramp, Brakes — \$1295
- 16 ft. x 8 ft. Six Ton GVW with Dovetail — \$1895
- 26 ft. x 8 ft. Gooseneck with Overshoot — \$3950
- 28 ft. x 8 ft. Gooseneck Nine Ton GVW with 12 PR Tires — \$3975
- 34 ft. x 8 ft. Tri-Axle — \$5250

Many More Models and Some Used Units Available
Trade-ins Accepted

We Also Carry New Farm Machinery — Pipe Gates — Plywood
New and Used Chevy Trucks Equipped to Handle Your Loads
Free Delivery to New Holland

Open 9 to 6, six days a week — CLOSED THURSDAY

LUX STABLES — Jesse R. Austin, Distributor
10214 Lanham Severn Rd., Lanham, Maryland 20706
(301) 464-2574



IMPROVE FEED PALATABILITY AND PROFITABILITY BY USING LIQUID AND DRY MOLASSES PRODUCTS IN YOUR FEED FORMULATION FOR ANIMALS FROM ZOOK MOLASSES CO.

- Liquid Feeding Cane Molasses
- Liquid Molasses Blends
- Honey Brook Brand Dried Molasses - 50 lb. Bag
- Z Brand Dried Molasses - 50 lb. Bag
- Honey Brook Energiblock - All Natural 20 - No. Urea
- Energiblock - Hi Protein 36

ZOOK MOLASSES CO.
West Main St., Box 160
Honey Brook, PA 19344
PH: 215-273-3776 or 717-393-3987
Call toll free in PA: 800-662-7464

Kencove Fencing
1 Cent per Foot Wire


If you buy or have bought a Pel 100 power fence charger at the regular \$280 price, you are eligible to get up to 30,000 feet of 12 1/2 gauge, high-tensile galvanized fence wire at only 1 cent per foot (39¢/lb.)

Limited time offer.
The Pel 100 is more powerful and less costly than most New Zealand power chargers. Save time and aggravation with electric High-Tensile fencing by Kencove

Kencove
R.D. 1 Box 111
Blairsville, PA 15715
412-459-8991
PA. 800-442-6823
Other States 800-245-6902
We need good fencing crews.



HIGH-TENSILE FENCE SYSTEMS



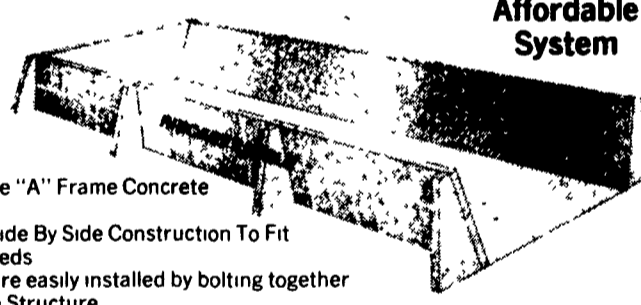
VERSATILE FENCING FOR PASTURES, FEEDLOTS, GRAIN FIELDS AND EVEN ORCHARDS

The system features Max-Ten® 200 wire from U.S. Steel Corporation strung on posts pressure-treated by Koppers Company. Together they provide long spans, minimal hide damage, extended service life and low maintenance.

West of Harrisburg Summit Fencing Systems Frank B. Otto Route #1 Box 121B Breezwood, PA 15533 814-735-3293	East of Harrisburg Farm Fence Systems Kerry Hees RD 2 Box 133E Vinemont Rd. Reinholds, PA 17569 215-775-1589	Maryland Deer Crank Fencing 833 Priestford Rd. Darlington, MD 21034 HAL 301-836-2773 Steve 301-836-3429
---	--	---

Professionally Trained in a
KIWI-HFT SYSTEM Contractors School

Trench Silo The Affordable System



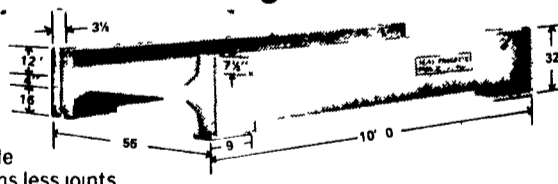
Features:

- Exclusive "A" Frame Concrete Support
- Allows Side By Side Construction To Fit Your Needs
- Panels are easily installed by bolting together
- Movable Structure

"H" and "J" TYPE FEED BUNKS
Low Cost - Long Life

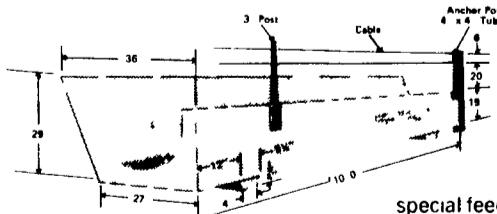
"H" TYPE FEATURES:

- Large Capacity
- The right height for large and medium sized cattle
- Ten ft. length means less joints
- Movable for future expansion
- More than strong enough to support roof system
- Feed conveyor easily suspended from Feed Bunk roof allowing clean sweep of trough
- No corners to retain spoiled feed



"J" TYPE FEATURES:

- Medium capacity for smaller herds
- Feed your cattle with your chuck wagon No special feeding equipment required
- Designed after careful study of feeding problems
- Heavy steel reinforcing for strength
- Movable for future expansion
- Vibrated Concrete for quality
- No corners to retain spoiled feed
- Long sloping trough back helps save feed



* No discount on freight charges

AGRI CONCRETE PRODUCTS
RD 2, Box 147
Middleburg, PA 17842
Plant (717) 837-3885