

**SILOS & UNLOADERS**

**LANCASTER SILO CO., INC.**  
2008 HORSESHOE ROAD - LANCASTER, PA 17601  
MANUFACTURER & BUILDER OF QUALITY  
WET-CAST CONCRETE STAVE FARM SILOS

**FEEDING SYSTEMS - BARN EQUIP - SILO UNLOADERS**  
"LANCASTER" CONVEYORS "SUPREME" RING DRIVE AND "LANCASTER" BELT FEEDERS "VAN DALE" MAGNUM SILO "LANCASTER" TAPER BOARD FEEDERS UNLOADERS & ACCESSORIES "LANCASTER" HAY FEEDERS "AUTOMATIC" ROLLER MILLS "LANCASTER" WATERERS "RITCHIE" CATTLE WATERERS "LANCASTER" STEEL GATES "STEINER" ROLL MIXERS "LANCASTER" FIBERGLAS FEED AND SILAGE CARTS "SHOW-EASE" COW STALLS "LANCASTER" 36" FANS "ZIMMERMAN" AND "LEISS" FANS "WEAVERLINE" FEED CARTS

**SUPREME & VAN DALE UNLOADERS. PARTS FOR SUPREME - VAN DALE - STARLINE - FEED EASY - P&D**  
Reconditioned Unloaders - All Brands

**REBUILT OR USED EQUIP:**  
**STARLINE UNLOADERS -**  
#70 12'-14'-16' Complete Unloaders  
All Reconditioned \$ SAVE  
#29-14 Basic Unit (Parts) \$500.00

**CLAY UNLOADER**  
1-16' Basic Unit (Fair) \$500.00

**ACORNE UNLOADER**  
1-20' Champion Basic Unit Complete w/5 H.P. Very Good \$1800.00

**BADGER BARGAINS -**  
1-24' Basic Unit w/36" Blower MAKE  
1-20' Ring-Drive Basic Unit AN  
1-20' Surface Drive Unit OFFER  
1-16' Basic Unit w/24" Fan

1-Acorne Ram Piston Pump Unit \$1990.00

**ROLLER MILLS:**  
2-#200 Roller Mill w/Motor Ea. \$990.00  
1-#400 Roller Mill w/3-Point & P.T.O. -or- Elect Motor \$1500.00

**NEW TILE - 4x4 & 4x6 - For cow trough, Bunk trough, Etc. 12 1/2 Sq. Ft. per box Assorted Colors \$8.75 Box**

**New Big Dutchman H-9 Poultry Feeders \$8.50 ea.**

1-Gehl 800 Recutter Blower Unit 540 & 1000 PTO - GOOD \$2000.00

1-10x50 Fickes Silo \$4,500.00  
1-20x60 Ribstone Silo

PHONE 717-299-3721 - 7 AM PM - 4 PM

**SILOS & UNLOADERS**

**GUTSHALL'S Silo Repair**

Tear down & rebuild, extensions, silo roofs, permanent pipe, distributors, unloaders, feeders. We specialize in Replastering Silos.

**BERG BARN EQUIPMENT**  
Sales & Service  
**Robert Gutshall's**  
RD 1212  
Womelsdorf, PA 19567  
717-933-4616

**FARM EQUIPMENT WANTED**

Wanted - 2 row front cultivator for 504 Farmall tractor. Call collect 609-561-1445.

Wanted - 2 post roll guard for JD 4020. 304-263-9801.

Wanted - Diesel Engines 110 to 175 h.p. to run irrigation pumps 500 to 1,000 gallons per minute. Write or call giving complete information and price. 717-546-5981.

WANTED - Uni-System husker Model 726 or 727. 717-548-2877.

Wanted - Two row snapper head for John Deere harvester. Fravel Farms, Spotswood, VA. 24475. 703-377-2282.

Wanted - 1,000 R.P.M. PTO for MF 1085, MF 1080, MF 1100. 717-277-6235 evenings after 7:30.

Hay dryers and drying equipment wanted if can be moved and in good shape. Write: W.S. Jones, Jr., 1047 Red Lion Rd., New Castle, DE 19720. Please call 302-834-2250. (302AC).

WANTED - Owatonna 270 windrower for parts. 301-842-3303.

Wanted - Frail type forage harvester in good condition. 703-254-1548.

**WANTED**  
Personnel Carrier for detasseling corn  
717-398-0226

**GRAIN EQUIPMENT**

For Sale - California pellet mill, Roughinger model, capacity 9 ton per hour, good condition, 717-865-6611.

60,000 bushel grain storage. Bucket elevator, drier and wet bins. Call evenings. 717-548-3504.

For Sale - 45' 6" Mix Mill Grain Leg, 8 hole distributor, good condition. Lancaster County. 717-898-8927.

Hesston 7140 forage harvester w/pickup head, 2 RN corn head, hydraulic sharpener, new knives & shear bar, never been outside, excellent condition, \$9,050. 717-587-4839.

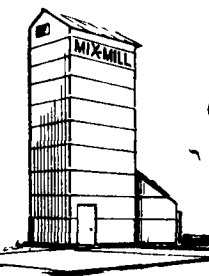
Mix Master automatic feed processor, handles six ingredients, completely rebuilt. Evenings 717-842-9470 or 842-8604.

FOR SALE - Grain bin, 1100 bushel w/augers; grain dump pit w/auger; Auger 8"x52", electric motor; other grain equipment. Call evenings. 717-444-3898.

**GRAIN EQUIPMENT**

**FOR SALE**  
Complete grain drying and storage set up, 2 years use. Buyer disassemble and move. One 3007 Brock 12,000 bu. bin, two 5000 bu. bins, one with drying set-up, including double auger stirator. Extra Farm Fan heaters and cooling fans, 4 augers - 41 ft. to 51 ft. (Hutchison, Speed King, Allied, etc.) Other equip. Phone 1-215-384-4140


New Four Compartment 40 ton feed factory \$8,100  
65 ft. 8 in. transport auger \$1,100



**HERSHEY FARMS**  
R.D. 1 Box 139  
Marietta, PA 17547  
717-653-8783

**GRAIN DRYERS**  
NEW & USED  
BINS - ELEVATORS - AUGERS  
TURNKEY AUTOMATED SYSTEMS  
Call 717-538-2591

Super B Circle




M-C GSI

**"BIG DISCOUNTS"**

**DAIRY EQUIPMENT**

**24 HOUR HEAT DETECTION!**  
Introducing "Activity Monitors"  
A computerized aid in heat detection to assist dairymen in efforts to:  
- Shortened calving interval  
- Speed genetic improvement  
- Increase milk production

Solve the most costly management problem dairymen share today.  
**Call for free Demonstration.**  
**Jones Dairy Service**  
Fostertown Road  
Medford, PA 08055  
609-267-0198



**OUR SPECIALTY IS SALES AND SERVICE OF NEW & USED BULK MILK TANKS**

Featuring the DeLaval New Century



**CALL FOR USED TANKS**  
We Will Service Any Make Bulk Milk Tank.  
**H.W. MARTIN REFRIGERATION SERVICE**  
619 W. Orange St. Lititz, PA 17543  
Phone: (717) 626-6355 Ans. Ser (717) 733-1224

**DAIRY EQUIPMENT**

**Calumet**  
NEW LIQUID MANURE EQUIPMENT FOR SALE OR LEASE

- Spreader Tanks - 2250 Thru 6500 Gallons
- Vacuum Tanks - 1500 Thru 4500 Gallons
- Earthen Pit Pumps
- Vertical Shaft Pumps
- Truck Mount Tanks - 2250 Thru 4500 Gallons
- Propeller Agitator
- Replacement Vacuum Pumps- 177 Thru 353 CFM's

Used Clay Vacuum Pump.....\$200

**F. ERNEST SNOOK**  
RD 3, Box 84, Mifflinburg, PA 17844  
PH: (717) 966-2736  
**"WE'RE HERE TO SERVE YOU"**

**JONES DAIRY SERVICE**  
The Computer Center For The Dairy Farm  
Call Us Now

- \* Milking Computer
- \* Feed Computer

Distress Sale Must Sell  
New Double Four Parlor  
New Electric Crowd Gate

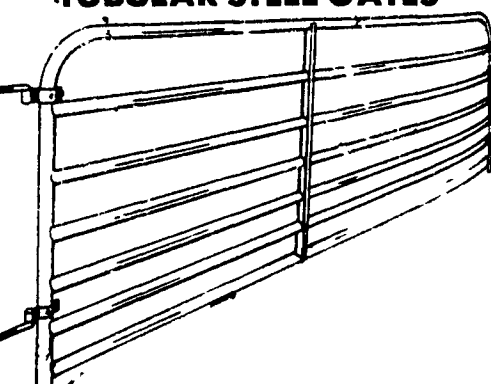
**USED EQUIPMENT**

- \* 1 1/2" Pipeline
- \* 600 gal. Majonnier Tank
- \* FR4 Vacuum Pump
- \* Bou-matic Wide Claws
- \* 3 HP, 1 PH Condensing Unit
- \* 3 HP, 3 PH Condensing Unit
- \* "Little Champ" Detacher
- \* Bou-matic Detachers
- \* Surge Alamo 75 Vacuum Pump
- \* 2" Glass Receiver Group

**BUCKY JONES**  
Fostertown Road  
Medford, NJ 08055  
609-267-0198



**TUBULAR STEEL GATES**



Seven 1-5/8" I.D. horizontal tubes spaced closer at the bottom for a pig tight gate. 50" high with adjustable clamp style hinges. All hardware needed for complete installation is included. Painted finish.

4' Length	\$36.95	12' Length	\$45.95
6' Length	39.95	14' Length	52.75
8' Length	41.45	16' Length	55.50
10' Length	43.95		

**ZIMMERMAN'S ANIMAL HEALTH SUPPLY**  
RD 4, Box 141, Lititz, PA 17543  
Located 3 miles west of Ephrata, 1/4 mile South of Rt. 322 along Wood Corner Road  
**(717) 738-4241**

**BUILDINGS & SUPPLIES**

21x50 Herd King HMC Unit Ladic unloader used 4 seasons, went to Ag Bag system, 703-434-4298.

For Sale - Hemlock and Hard wood lumber, trailer load lots. We will deliver. 717-494-0550.

For Rent - Barn storage space clean, dry, large capacity, hay, vehicles, etc. Lebanon County, PA. Call 717-867-5047 after 6 PM.

50'x300' Wood Truss Building - to be taken down and removed. Southern Lancaster County. Make offer. 800-222-2948.

Framed bank barn 34x50 attached hay shed 32x32. Make offer. Charles Riegel, 3802 Oakland Road, Bethlehem, PA. 18017. 215-868-4600.

For Sale - Large Bank Barn approx. 50 ft. x 100 ft., wood structure, good condition, barn must be torn down by buyer and clean up site. 717-632-6250.

Wanted - someone to remove 34 ft. x 75 ft. wood barn. 215-754-7229.

Free Barn - You tear down and clean up. Centerport, PA. 215-926-2343

**FREE-FOR REMOVAL:** large old house, 2 1/2 story, plastered field stone, slate roof-Souderton area; call business days. Ask for Bob. 215-723-7823.

For Sale - 38'x80' tobacco shed to be torn down, good lumber. Lanc. Co. 717-898-8685.

**Check**

- ✓ LEASE FINANCING
- ✓ FIVE YEAR DEPRECIATION
- ✓ 10% INVESTMENT CREDIT
- ✓ LAYOUT DESIGN ASSISTANCE

**YES I would like FREE information about:**

- Top-Unloading Stave and Poured Silos
- Bottom-Unloading Poured Silos
- Silo Maintenance and Repairs on all Silos
- Permanent Fill-Pipes and Distributors

Name \_\_\_\_\_  
Address \_\_\_\_\_  
City \_\_\_\_\_  
State Zip \_\_\_\_\_  
Phone \_\_\_\_\_

Mail To  
Virginia Silo Company  
P.O. Box 666  
Dayton, Virginia 22821  
or call collect (703) 879-2541  
in Eastern VA, call  
Garland Beaton (804) 233-6157

**GRAIN EQUIPMENT**

**GRAIN DRYING & STORAGE**  
Prompt Unloading  
We Buy And Sell  
Combining and Hauling

**ERWIN J. MILLER & SON**  
**(717) 656-8593**  
Loc: 1/2 Mile North of Bird-in-Hand on Beechdale Rd.