

Weekly Round-up

(Continued from Page A27)
slight. CLOTIM first cutting was 13 percent, slightly behind last year's cuttings of 15 percent. The quality of hay made was rated good by 50 percent of our reporters, fair by 47

percent and poor by 3 percent. The amount of feed obtained from pastures was rated above average by 37 percent of our reporters, average by 57 percent and below average by 6 percent.



MANUFACTURERS OF ALUMINUM

- Cattle Bodies
- Gooseneck Trailers
- Possum Belly Trailers
- Bulk Feed Bodies



**FOR SALE
MANY GOOD USED WOOD BODIES**

Cheap



*We Salute The Dairy Farm Families,
A Vital Part Of Our Business*

Rt. 23, Blue Ball, Pa. 717-354-4971

HIGH PRESSURE

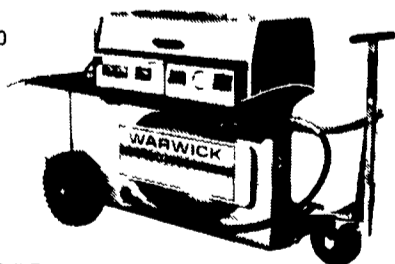


WATER WASHERS

*For Hog, Poultry & Veal
Animal Confinement Operations*

Warwick Hot and Cold Water Washers deliver over 2000 psi of profitable cleaning power for your toughest jobs. Our patented diaphragm pump can't be damaged by running dry!

Available with electric or gas-line power and a complete line of special application accessories



Call Today - For More Information or No Obligation Demonstration.

RENTAL UNIT AVAILABLE
2200 P.S.I. Hot Pressure Washer
with Generator and Trailer
Call Ken Burkhardt or Dean Weinhold

AUTHORIZED DISTRIBUTOR - SALES & SERVICE

FARMERSVILLE EQUIPMENT INC.

RD 4, East Farmersville Rd., Ephrata, PA 17522
Located in the Village of Farmersville, Lancaster County
717-354-4271



WEST WILLOW FARMER'S ASSOC.



**June Dairy Month
is a natural time for
a real "Thank you."**

**IN APPRECIATION
WE'RE OFFERING DURING JUNE
A REDUCED PRICE ON**

Dairy Sup-R-Block 500 pound

Weatherproof, 22 percent protein block for milking cows, dry cows and heifers. Great for heifers on pasture where everyday grain feeding is hard to do.

Call — West Willow Farmer's Association

Sprecher Road
West Willow (717) 464-3386

Southern Division
Kirkwood (717) 786-7666

FARMER BOY AG, INC.

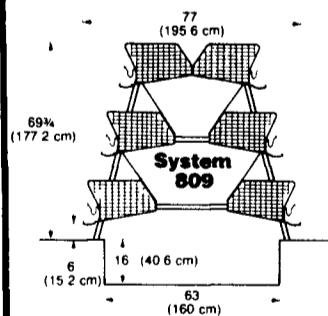
Distributor For

DIAMOND POULTRY SYSTEMS

Farmington, Michigan

Diamond Systems

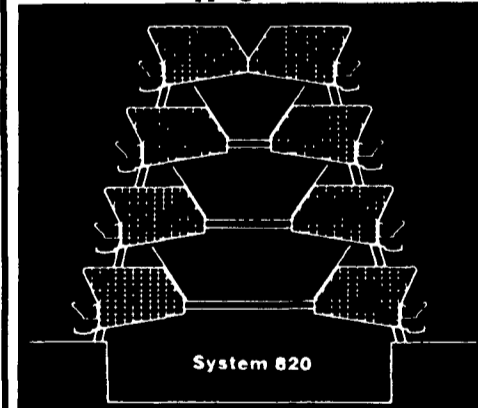
**2- and 3-High
Modified Stair-Step
Cage Layer Systems**



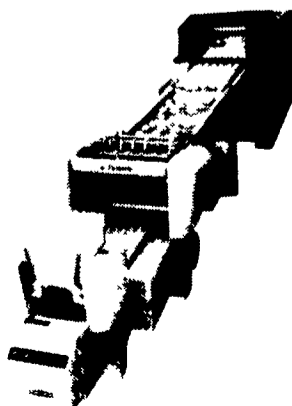
Exclusive
Contour
Cage
gives
birds
more
room

Diamond Systems

The All New Diamond Systems 4-High Modified Stair-Step Cage Layer Systems With Dropping Curtains



**For Egg Packing
You Can Bank On Us.
Diamond Automation's
FARMPACKERS
are... Eggscellent!**



**New
Diamond Systems
3-High Starter-Grower**

**SALES & SERVICE
For Buildings And Equipment**

CALL

IRVIN HORST LARRY HORST
Office (717) 866-7565 Office (717) 866-7565
Home (717) 866-2815 Home (717) 949-3022

SWINE & POULTRY SYSTEMS SPECIALISTS
FARMER BOY AG, INC.
410 E LINCOLN AVE MYERTOWN PA 17067 PH 717 866 7565
BEST IN DESIGN, PRICE AND EXPERIENCE