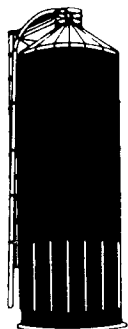


DISMANTLING & RE-ERECTING HARVESTORE STRUCTURES

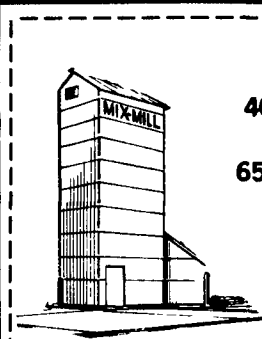


USED STRUCTURES IN STOCK

COUNTRY AG SERVICE

RD 4 Box 93
Lititz, PA 17543
Call (717) 733-0408
Earl B. Zimmerman
Larry Greene
Altoona, PA 16602
Call (814) 944-1896
REBUILT HERCULES UNLOADERS
REBUILT GOLIATH UNLOADERS
SUPREME UNLOADERS

For Sale - Grain Bin 14', 1100 bushel w/extras; Steel Dump Pit, 400 to 500 bushel w/8" x 16" auger; D/j #707 moisture tester; Burrows wt./bu. tester; Electric motors, 1 1/2 h.p., 2 h.p., 7 1/2 h.p., 10 h.p.; Ford LN 800 w/15' bed, 15 ton hoist, 36,000 GVW; JD 1710 chisel plow; 1972 MF 1080-D Tractor. Phone 717-444-3898.



New Four
Compartment
40 ton feed factory
'8,100
65 ft. 8 in. transport
auger **'1,100**

HERSHEY FARMS
R.D. 1 Box 139
Marietta, PA 17547
717-653-8783

wic HOULE

- Bedding Choppers
- Silage Carts
- Manure Tanks
- Liquid Manure Pumps
- ELECTROMIX
- Barn Cleaner Chains
- Free Stalls
- Self-Locking Panels
- Comfort Stalls
- Gutter Grates
- Cow Mats

US AGRI-SYSTEMS
(301) 398-2948

TOLL FREE 800-222-2948

GRAIN DRYERS

NEW & USED
BINS — ELEVATORS — AUGERS
TURNKEY AUTOMATED SYSTEMS
Call 717-538-2591

Super B

Circle



M-C

GSI

"BIG DISCOUNTS"

GRAIN DRYING & STORAGE

Prompt Unloading
We Buy And Sell

Combining and Hauling

ERWIN J. MILLER & SON
(717) 656-8593

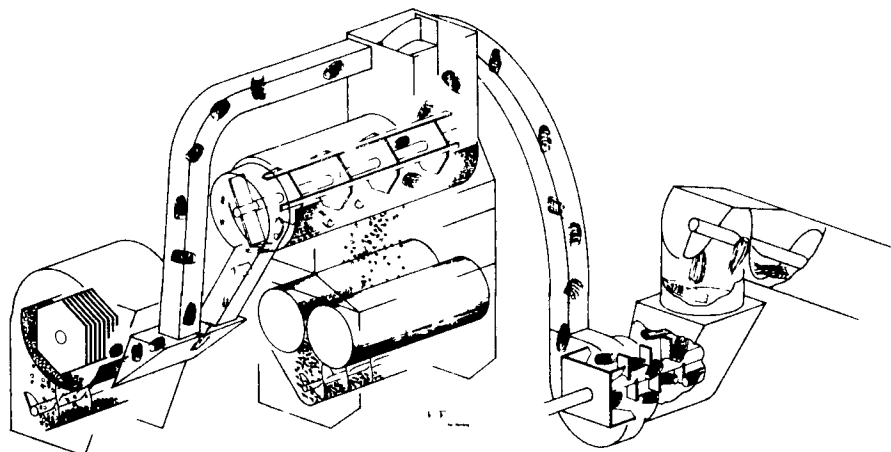
Loc: 1/2 Mile North of Bird-In-Hand
on Beechdale Rd.

THE TEXTUREATOR™

Pat. Pending

WHEN YOU WON'T SETTLE FOR LESS THAN THE BEST

Kernels cracked without fines... cobs and husk ground for maximum digestibility. High quality course feed provides increased bulk, allowing animals to eat more ration and better utilize the total digestible nutrients (T.D.N.) of the grains and avoid flash heat. Feeders who change to texturized feeds get better results. Beef cattle have a higher average daily gain. Dairywomen report higher grain intake and 1 to 4 point increase in butterfat tests. Texturized ear corn gives you more profit per acre over shelled corn.

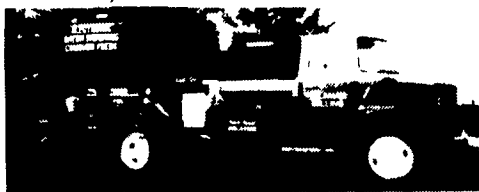


The Textureator concept combines 20" underfed Hammer Mill and 13"x30" rolls to process ear corn. The Hammer Mill or Roller Mill can be used individually, thereby giving you a choice of 3 processing options: Roller Mill for small grains and shelled corn, Hammer Mill for pulverizing, and Textureator for coarse ground ear corn — all with one point of entry.

FOR TEXTUREATOR SERVICE, CALL



Amos Riehl
MODERN MILLING CO.
Lititz, PA
(717) 442-9375



Jim Hilaman
HILAMAN MILLING
Rising Sun, MD
(301) 398-4561

• Batchmakers • Foodmobiles • Mixers • Bulk Food Trucks • Hammer Mills • Roller Mills

Feedmobile Inc.

SALES • PARTS • SERVICE
727 Furnace Hills Pike Lititz, PA 17543
(717) 626-2680

Call For Quotes On New Or
Used Equipment Or Service
For Your Existing Equipment
LEASE PLANS AVAILABLE

BUILDINGS & SUPPLIES

21x50 Herd King HMC Unit Ladic unloader used 4 seasons, went to Ag Bag system, 703-434-4298.

Plastic electric fence posts. High impact, black polypropylene. 1 1/2"x4" - at plant price, \$1.75; 2"x6" - at plant price, \$3.75. 717-784-8389.

55 ft. x 100 ft. Steel Master Building - new never erected, \$17,500. Building will sacrifice for \$11,500. 717-397-1186 or 717-872-4762.

For Sale - Hemlock and Hard wood lumber, trailer load lots. We will deliver. 717-494-0550.

Large quantity of used plywood, insulation and lumber. 717-569-0022.

FOR SALE - 38, 44' roof trusses; 2, 10x12x40 wooden beams. Samuel L. Stoltzfus, 3875 Philadelphia Pike, Gordonville, PA. 17529.

For Sale - Black, green and dark brown fiberglass and asphalt shingles. \$10 per square. All other colors, \$15 per square. Get 2 rolls of felt paper free with every \$50 order. Cash and carry. Call day or night. Cramer's Farm, Newport, PA. 717-567-6782.

50x70 implement shed with laminated rafters to be removed, \$4,000. 717-529-2512.

FOR SALE - 20x35 ft. 20 story frame barn extension. Located near Mastersonville; 17 miles east on Weagaries from Colebrook Rd. Can be had for taking down & small cash payment. Call 717-665-6415.

Wrought iron railing for bi-level home. Call 717-866-4185 after 6 PM.

Good, used, slate, many sizes; Used heavy galvanized roofing; Used heavy lumber, old siding, 2 barn doors etc.; 28"x35" 9 pane windows. Jacob Stahl. 717-569-0737.

DAIRY EQUIPMENT

Wilson 385 gal. stainless steel milk tank, good condition. Call Dick between 8:30 and 12 Noon. Phone 717-456-5517.

For Sale - 500 gal. Zero bulk milk tank, very good condition. Automatic washer. Phone 717-564-2277.

30 new Frey loop-type free stalls; 50 slightly used loop-type free stalls. 717-243-5924.

Bomatic stainless steel pipeline milking system. 4 units and 4 Little Champ detachors. Frederick Co. 301-371-9105 after 8 PM.

For Sale - Mastort Senior vacuum pump with 2 HP Century motor, \$200; 4 Universal milkers with Sta-Rite pails + pulsators; 3 60 lb. pails 1 smaller all for \$400; Westfalia Vacuurex regulator, \$75; 430 gallon Jamesway tank with compressor, \$500. 717-483-6720 morning or evening.

Air & Hydraulic Sales & Service

- | | |
|-----------------|-----------------|
| Air Tools | Hydraulic Units |
| Air Compressors | Motors & Pumps |
| Gast Air Motors | Dryden Oil |

Dairy Equipment & Supplies

- | | |
|---------------------|--------------------------|
| DeLaval & Westfalia | |
| * Sputnicks | * Herdex-Breeding Charts |
| * Dumping Stations | * Allflex Ear Tags |
| * Pail Milkers | * Vacuum Pumps |

I will try to repair all vacuums & models you might have

ELAM S. STOLTZFUS
RD 1 Coopers Dr.
Kirkwood, Pa.

USED EQUIPMENT SALE

Bulk Cookers

- 1 - 350 gallon flat top Mojonner with 3 h.p. Brunner compressor **'995.00**
- 1 - 300 gallon Jamesway with 3 h.p. Brunner compressor **'950.00**
- 1 - 400 gallon round Mojonner with 3 h.p. Lehigh compressor **'1,450.00**
- 1 - 500 gallon Esco (good for water only) **'300.00**
- 1 - 1250 gallon Surge with dual 4 h.p./units and energy conversion **'9,400.00**

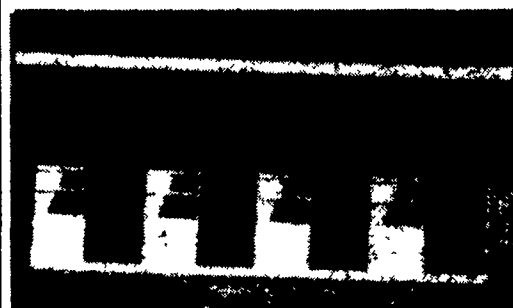
Transfer Systems

- 2 - Surge Dumping Stations; operates by vacuum **'520.00 ea.**
- 1 - Sputnik with air compressor **'895.00**
- 1 - Sputnik without air compressor **'550.00**



802 MAIN STREET - P.O. Box 158
BALLY, PA 19503 Phone (215) 845-2261

RAISE HEALTHY DAIRY CALVES IN A SOLAR CALF KENNEL FROM 1 PEN TO 6 PENS



The kennel has 4- 4'x8' individual pens, is on treated skids, hay racks, feed troughs, bucket racks included. We make them any size or color made by order. Also calf shelters for older calves or heifers.

COOPERVILLE WOODWORKS

Enos B. Stoltzfus
Lower Valley Road 17509
Christiana, Pa. RD #1, Box 331
Or call Charles Myers
786-1243 Call in eve.
Dealers - N.Y. 315-784-5419
Edgar Dickensheets MD 301-775-2909