



# Farm Talk

by  
**Jerry Webb**  
Delaware Extension

of the broiler industry on the Delmarva peninsula. First off it's the fourth largest broiler production area in the United States.

Those few counties of Delaware, Maryland and Virginia rank right up there with the entire states of Arkansas, Georgia, and Alabama. The value of broilers processed and delivered from the Delmarva peninsula last year was \$360 million. That meant jobs for some 18,000 people and countless millions of dollars spent in local communities throughout that area. What would an outbreak of avian influenza do in this highly concentrated broiler area? The experts seem to agree it would be devastating. No one even wants to speculate what the final results would be.

When egg prices go up in the supermarket, consumers tend to blame the farmer. But let's look at the facts. When it comes to food prices the farmers share it woefully small. When eggs were selling for 88 cents a dozen on the average, the farmer got 53 cents. A one pound loaf of bread retailing for 59 cents netted the farmer only 6 cents. He got 58 cents from a half gallon of milk costing \$1.12 in the store. The farmer got 18 cents for the corn in a 12 ounce box of breakfast cereal retailing for \$1.75 and he got 90 cents for a pound of pork chops costing about \$2.00 in the butcher shop. He got \$1.71 for the cotton in a pair of \$18.75 blue jeans and 39 cents for the peanuts in an 18 ounce jar of peanut butter that retails for \$1.75.

The latest reports show that most college ag students don't come from the farm. In fact over half call big cities home. A University of Florida study indicates that 57 percent of last year's ag college students had

lived most of their lives in cities larger than 50,000 population. Students from rural backgrounds amounted to only 8 percent of the total. This study shows that a majority of ag students have never lived or worked on a farm and nearly a third have no agricultural

experience of any kind prior to college.

Well, I've cleaned my files a little bit, maybe I've shared some useful information. Considering the flow of agricultural copy across my desk these is bound to be another catch-up column some where down the line.

## Grange confers degrees

OAKRYN — Fulton Grange No. 66 held its regular meeting May 14 at the Grange Hall in Oakryn, when the first four degrees were conferred upon a class of thirteen, also two from Elizabethtown Area Grange and two from Pequea Valley Grange.

Master Thomas Galbreath presided at the business session. Women's Activities committee chairman AnnaBell Wiley reported on activities the past two weeks. Tour committee chairman Clifford Holloway Jr. reported that the bus is not filled for the trip in June to Atlanta, Chattanooga, Ashville,

Great Smokies, Ruby Falls, Rock City, Chimney Rock, Billy Graham Park, Blue Ridge Parkway and Virginia.

J. Everett Kreider reported on installation of lights for two additional volleyball courts. A new ceiling and new lights are being installed in the Grange Hall kitchen.

On May 28 at 8 p.m. Lecturer Sandy Galbreath will present the annual memorial program. June 11 will be home-made ice cream and strawberry night in observance of June Dairy Month.

## Avian flu among topics at Cornell

### Poultry Conference in July

ITHACA, NY — Contagious avian influenza that broke out in epidemic proportions in parts of Pennsylvania last fall is among the topics set for discussion at this year's Cornell University Poultry Conference, July 25-26.

To be held at the Holiday Inn in Ithaca, the 1984 conference will examine lessons learned from the outbreak of avian influenza and steps to protect New York State's \$86-million egg industry from this disease.

Other topics on the agenda are broiler production in New York State, principles and procedures for molting layers, dietary protein levels for young birds and layers,

and expanding markets with new products made from poultry meat and eggs.

Sponsored by Cornell Cooperative Extension and the department of poultry and avian sciences in the New York State College of Agriculture and Life Sciences at Cornell, the two-day meeting is expected to attract about 150 poultry farmers from throughout New York State.

Dan L. Cunningham, assistant professor of poultry science, is the conference chairman. For further information about the July 25-26 meeting, contact Cunningham, 202 Rice Hall, Cornell University, Ithaca, NY 14853, or at (607) 256-3168.

(Not every piece of information that comes across my desk is worthy of a column and yet some of them are just too good to throw away. So today we use up some of those bits and pieces. A collection of small items that relate to farming.)

More than 200 women attended a conference in New Mexico recently titled "American Farm Women in Historical Perspective". Here are a couple of their quotes:

"If farm women had been more assertive against over expanding and over leveraging of debt in the '70's agriculture today would be in better financial shape."

"We must raise the consciousness of farm men. Not long ago I attended a farm management club meeting along with my husband. Would you believe that when the men discussed financial strategy they asked the women to leave the room".

As I've said before there are all kinds of ways to get into farming. The 1983 FFA Star

Agribusinessman of America turned his mother's houseplant hobby into a business grossing over \$200,000 a year. Clint Albin of Baton Rouge, Louisiana, started with 25 ferns in his backyard when he was a high school freshman. It takes very little land, a lot of labor, and a strong marketing philosophy. He started selling to roadside stands, now sells to chain stores and is even renting plants for weddings and other special occasions.

Most Pennsylvania farmers favor a state sponsored farmland preservation effort, according to an opinion poll conducted by the American Farmland Trust and the Pennsylvania Farmers Association. Those who felt the continuing loss of farmland would hurt the economy said preservation was the answer. According to the surveyors, the public now sees farmland preservation as a pocketbook issue.

Some folks who are wondering about all the fuss over avian influenza haven't read the latest figures concerning the importance

# ROSKAMP: THE ROLLER MILL SPECIALISTS

## Read This Personal Testimonial From:

**POWL'S FEED SERVICE (717) 548-2488**  
P.O. Box 15, Peach Bottom, PA 17563

All of the feed processing done in our recently completed mill is done with a Roskamp Roller Mill and Ear Corn Crusher. We make feed for dairy, hog and commercial layer operations.

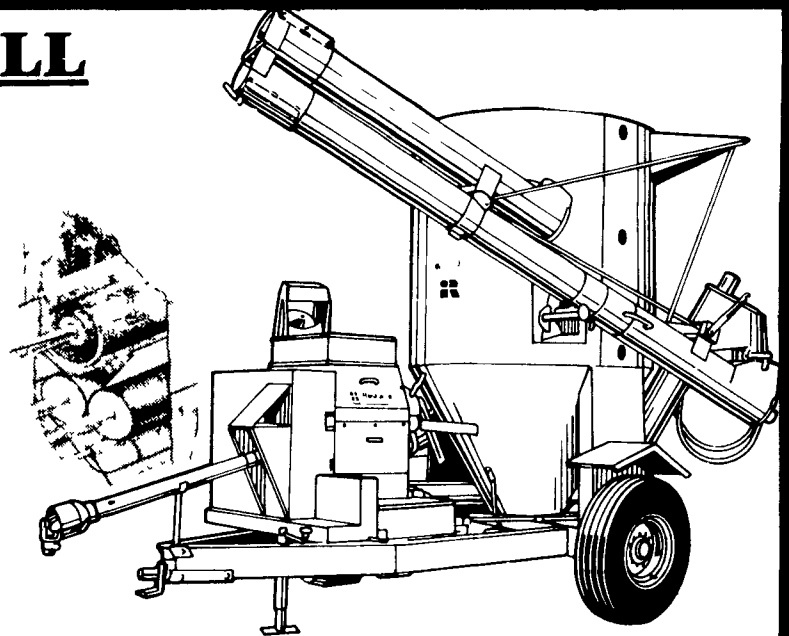
Our rolled and coarse textured feeds have been well received by our customers.

Comments we frequently hear are:

1. A lot less dust
2. Flows much better in our bins & feeders.
3. Works very well in our computer feeders.
4. Butterfat has increased .2% or more.
5. Feed conversion is just as good or better.
6. Feed is very uniform and consistent
7. Very little if any separation.

We are very pleased with the high capacity and low horsepower requirements of the equipment.

Greetings From Powl Country  
**POWL'S FEED SERVICE**



Phone or Send for Free Literature  
**ROSKAMP MFG., INC.**  
2975 Airline Circle  
Waterloo, Iowa 50703  
319 232 8444

Check here  
Stationary Feed Processing Center  
Portable Ear Corn Mill  
Portable Grain Roller Mill  
Silage Roller Mill  
Have representative call or stop in

Name	
R R or Box No	
City	State
Zip	Phone

## DEMO ROLLER MIXER AVAILABLE - SPECIAL PRICING

### Contact Your Local Dealer

#### PENNSYLVANIA

**Barrett Equipment Co.**  
Smicksburg, Pa  
814 257-8881

**Clapper Farm Equip., Inc.**  
Alexandria, Pa  
814-669-4465

**Fred Crivellaro**  
Easton, Pa  
215 258-7584

**Tom Dunlap**  
Jersey Shore, Pa  
717 398 1391

**Erb & Henry**  
New Berlinville, Pa  
215-367-2169

**Fickes Silo Co.**  
Box 7  
Newville, Pa 17241  
717-776-3129

**Harclerode's Dairymen  
Specialty Co.**  
New Paris, Pa  
814-839-2790

**Hines Equipment**  
Cresson Pa  
814 886 4183

**J & M Machinery Co., Inc.**  
Greensburg, Pa  
412 668 2276

**S.G. Lewis & Son, Inc.**  
West Grove, Pa  
215-869-9440

**R.T. Markle  
Farm Equip., Inc.**  
State College, Pa  
814-237-3141

**Marshall Machinery, Inc.**  
Honesdale, Pa  
717 729-7117

**MKS Enterprises, Inc.**  
Hanover, Pa  
717 637 2214

**Northeast Equipment Co.**  
Northeast, Pa  
814 725 1888

**North Penn Sealstor**  
Bloomsburg Pa  
717 387 1422

**Atlee Rebert**  
Littlestown, Pa  
717-359-5863

**Rovendale Supply**  
Watsontown, Pa  
717-538-5521

**Sollenberger Silos Corp.**  
Chambersburg, Pa  
717-264-9588

**Stouffer Bros., Inc.**  
Chambersburg, Pa  
717-263 8424

**Swope & Bashore, Inc.**  
Myerstown Pa  
717 933 4138

**Tam Agri Corp.**  
Dillsburg Pa  
717 432 9738

**Terre Hill Silo Co., Inc.**  
Terre Hill, Pa  
215-445-6736

**Uniontown Farm Equipment**  
Uniontown, Pa  
412-437-9851

#### MARYLAND

**Arnett's Garage**  
RR 9 Box 125  
Hagerstown Md  
301 733 0515

**P & S Equipment, Inc.**  
Street Md  
301 452 8521

**Tri-State Farm Automation**  
Hagerstown Md  
301 790 3698

#### NEW JERSEY

**Brookhill Equipment  
& Supply Co.**  
Pittstown, NJ  
201-735-4142

#### NEW YORK

**Sharon Springs Garage, Inc.**  
Sharon Springs, NY  
518 284 2346

#### WEST VIRGINIA

**Ed Lipscomb's Equip.**  
Eglen WV  
304 735 5239