

Stewartstown library offers farm book collection

(Continued from Page A1)

research center at Beltsville, where they have put together a catalog of farm publications that was a big help."

Other sources, according to York County Library System's Evelyn Minick, who handled the ordering and the grant paperwork, include some lists from a few scattered midwestern libraries with farm collections.

While some of the materials have not yet arrived, and Mrs. Davis has through June 30 to complete her orders under grant regulations, the collection already fills a special shelf-section labeled for farm interest.

The range of titles covers a variety of farm needs, with crop, horticulture and viticulture information, animal care materials for the whole gamut of domestic livestock, estate planning, tax regulation, building and pond construction, tractor lore, farm antiques, extension publications, yearbooks of agriculture and both magazine and newspaper periodicals.

"We haven't had a big influx yet of farmers coming in to borrow books, but expect circulation to increase through word-of-mouth," librarian Davis anticipates.

To acquaint area farm families with the new service, the library recently hosted a buffet dinner for local farmers and their wives. A slide show detailing the materials in the farm collection, and featuring pictures of several area farms as well, was shown during the program.

Another of Mrs. Davis' farm collection promotions is a colorful bookmark-sizes flyer, listing several featured volumes, and distributed at local town and ag-related places of business.

On the flyer she dubs the

program "REAP," an acronym for Read and Enlarge Your Agricultural Production.

Recent new additions to the collection featured on the latest promotion flyer are: "The ABC's of Farm Estate Planning," by Paul M. Levitt; "Corn," by Paul C. Mangelsdorf; "Doane's Tax Guide for Farmers," by John C. O-Byrne; "The Invisible Farmers-Women in Agricultural Production," by Carolyn E. Sachs; "Feed Formulations," by Tilden Perry; "Building Small Barns, Sheds and Shelters," by Monnie Burch.

Also, "Earth Ponds," by Tim Matson; "A Veterinary Guide for Animal Owners," by C.E. Spaulding D.V.M.; "Farm Lease Guide," by Robert M. Dunaway; and "Farmland or Wasteland - A Time To Choose," by R. Neil Sampson.

Through recent changes in policy of the county's library system, a cardholder in good standing from any of the libraries in the system may borrow books at other lending branches throughout the county.

Through a computerized inter-library-loan networking system that reaches out of the county to other state and national libraries, the Stewartstown collection is also accessible to library book borrowers across the country.

While most libraries with rural patrons carry a number of pet care and horticulture-related volumes, books with agriculture-industry topics remain relatively scarce in most.

Gerald Bruce, a reference department staffer with the Lancaster County Library System, says their agriculture materials deal mostly with animal care, plus some on ag history, careers and statistical information. Callers



Stewartstown volunteer Anna Zembower has her arms filled with just part of the library's comprehensive collection of detailed repair and maintenance manuals for over 100 makes and models of tractors.

seeking specific, detailed printed matter about agriculture are frequently referred by Bruce and his colleagues to the Extension Service for information.

"Actually, we haven't really been asked very often for ag materials," he adds.

Kathy Liebler, press spokesperson for the state

Department of Education, concurs that the Mason-Dixon library farm collection is one-of-a-kind in Pennsylvania. While hundreds of grant applications have been submitted over the years for the acquisition of books and learning aids, none before Mrs. Davis' was so specifically geared toward agriculture.

Separate courses dealing with farm resources available to librarians are not taught in Pennsylvania's library classes, according to Bernard Vavrek, director of the College of Library Science of Clarion University of Pennsylvania, at Clarion.

"That would be included as a part of rural services studies," affirms Vavrek. "But we find that our rural libraries are becoming more non-farm all the time. I can't recall of any farm collection like this one that's ever before come to my attention."

Individuals interested in more information on the Mason-Dixon Library's farm collection or promotional slide program may call Mrs. Davis at 717/933-2404.

Holstein sells for \$1600

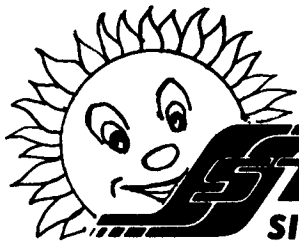
REEDSVILLE — Stone Gables P Comet Candace, the 3-year-old Holstein donated to the Perry County Junior Holstein Club, sold for \$1,600 at the Central Classic Sale held April 24 at Reedsville.

Consigned by the Richard Kriebel Family of Millerstown, Perry County, Candace was bought by David J. Peachey, R1 Reedsville. The proceeds from the sale of this cow will help finance the Pa. Holstein Dairy Bowl team on its trip to the National Holstein Dairy Bowl Contest set for June 18 and 19 during the National Holstein Convention in St. Louis, Mo.

The state's dairy bowl team is made up of junior members from Perry County. The members are Joe Albright, Daniel Albright, Irene Benner and Kim Kriebel, captain.

A TOTALLY MIXED RATION

with

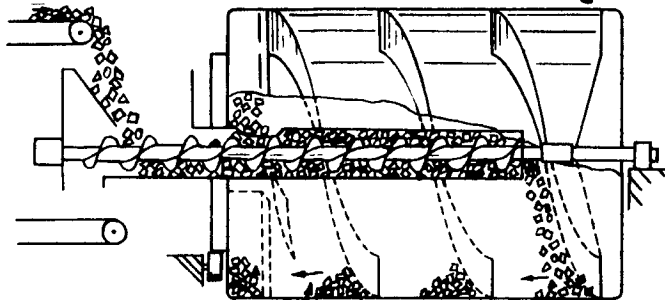


ROLL A MIX by
STEINER
SILAGE, GRAIN & HAYLAGE

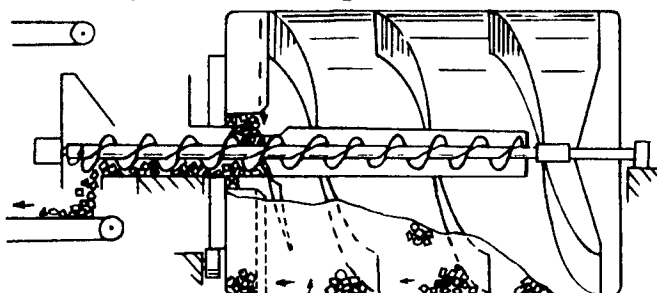
Mixing Specialists

- Lower power requirements
- Tumble action eliminates the high resistance of conventional auger mixing
- Fast 1-3 minutes mix time
- Gentle on feed
- Rugged construction
- Fewer moving parts
- 180° discharge access
- Versatile enough to meet most mixing needs
- Center auger loads and unloads mixer
- Revolving drum gently tumbles feed
- No overmixing
- Proven on the farm

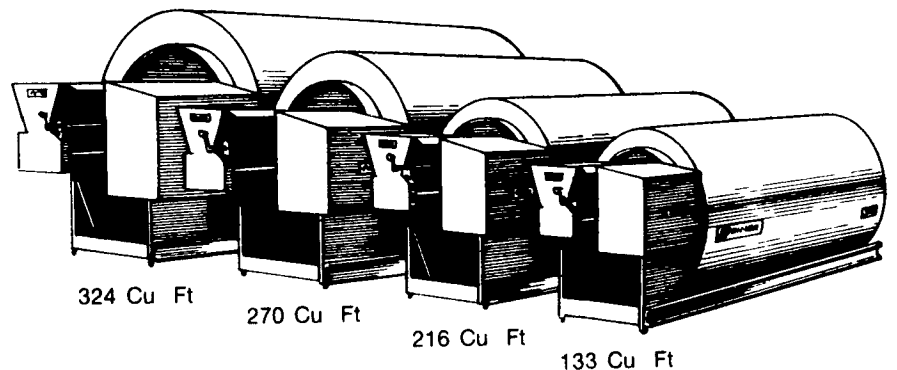
The Steiner Roll-A-Mix Internal Operation



In filling the Roll-A-Mix, feed is carried by the auger to the rear of the mixer, where it falls into the slowly revolving drum for a gentle tumbling thorough mix



The spiral flights are designed to carry the feed back to the front into the reversed auger for discharge into your conveyor



SEE YOUR LOCAL DEALER

PENNSYLVANIA

ALEXANDRIA
MAX ISENBERG
814-669-4027

BALLY
LONGACRE ELECTRIC
215-845-2261

CAMP HILL
LLOYD C. SULTZBAUGH
717-737-4554

CHAMBERSBURG
SOLLENBERGER
SILOS CORP.
717-264-9588

ELLIOTTSBURG
CARL BAER
717-582-2648

HAMBURG
SHARTLESVILLE
FARM SERV.
215-488-1025

JACKSON CENTER
ALLEGHENY STAR SILO
412-662-4191

LANCASTER

LANCASTER SILO
CO., INC.
717-299-3721

MILTON

LANDIS FARMSTEAD AUTO.
717-437-2375

MYERSTOWN

J.A. SWOPE
(Ribstone Silos)
717-933-4758

PIPERSVILLE

MOYER FARM SERVICE
215-766-8675

QUARRYVILLE

UNICORN FARM SERVICE
717-786-4158

SPRINGVILLE

JIM'S EQUIPMENT
717-942-6928

TERRE HILL

TERRE HILL SILO CO.
215-445-6736

TOWANDA

LEE & WOLF
717-265-6779

TROY

DAIRYLAND SALES
& SERVICE
717-297-4128

WILLIAMSBURG

LONGENECKER'S, INC.
814-793-3731

MARYLAND

EASTON, MD
HARMSSEN'S DAIRY
EQUIP., INC.
301-822-3085
301-822-6055

HAGERSTOWN, MD

TRI-STATE FARM
AUTOMATION
301-790-3698

STREET, MD

P & S EQUIPMENT, INC.
301-452-8521

VIRGINIA

HARRISONBURG, VA
DAIRYMEN SPECIALTY
CO., INC.
703-433-9117
800-572-2123