



CUMBERLAND COUNTY DHIA Monthly Report

March Report

Cumberland County Dairy Herd Improvement records show that 9,061 cows in 152 herds were on production testing in March according to Duane G. Duncan, County Agent. Of the 128 herds on DHIA, 33 herds has an average fact production of 600 pounds. During the month 95 completed their 305 lactation with 650 lbs of butterfat. The following are the highest of actual butterfat in 305 days or less in the county during the month. The age listed is her age at the time of freshing.

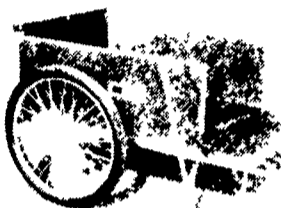
OWNER NAME OR NO	AGE	LBS. MILK	LBS. FAT
John F. Stamy, III 9	RH 6	25,119	867
Willard Fought 5	GH 5	20,741	858
Milk Way Farms 74	RH 4	20,185	848
Ashcombe Dover Dairy R127	RH 4	21,718	833
Sundays Vallilea Farms 105	RH 4	20,229	827
Ashcombe Farms 4	RH 3	22,569	826
Sundays Vallilea Farms 427	GH 4	20,678	817
Donald & Dave Lehman 205	RH 3	24,192	812

Samuel D Shenk Bess	GH 4	19,959	806
JB Brymnesser & Sons 383	RH 4	26,032	798
JB Brymnesser & Sons 424	RH 3	25,193	796
Ashcombe Farms 47	RH 5	22,188	793
Sundays Vallilea Farms 66	RH 6	23,644	789
Ashcombe Farms 23	GH 3	21,985	783
Fred B McGillvray Milky	RH 4	20,115	776
Ashcombe Farms 245	GH 4	17,959	775
Leroy Showaker & Son Peg	RH 5	20,385	774
Berkheimer Farms 24	GH 4	17,901	773
Robert E Keefer 7	GH 5	18,131	772
Delmer F Cornman Betsy	RH 11	18,073	771
Ashcombe Farms 358	RH 5	20,481	768
Robee Acres Joann	RH 3	19,799	767
JB Brymnesser & Sons 415	RH 4	21,873	765
J David Martin Bonnie	GH 3	21,377	764

OWNER		BREED	NO. COWS	% DAYS IN MILK	LBS. MILK	LBS. FAT
Berkheimer Farms 39	GH 7				19,628	762
Rolling Herd Averages For March						
Nevin Shughart	B3	32	90		19,175	697
M Thomas Sheaffer	3	58	85		19,383	688
Ferman L Landis	B3	40	89		17,616	688
Fred B McGillvray	3	33	87		17,498	679
Norman Hertzler	3	34	88		19,170	678
Ashcombe Farms	B3	248	85		19,228	*677
Ashcombe Dover Dairy	B3	244	86		19,197	*677
Carl Kelso Jr	B3	58	93		19,253	674
Sundays Vallilea Farms	B3	161	89		19,145	668
Berkheimer Farms	B3	145	85		17,866	658
Paul Strock	3	120	89		18,007	655
Kenneth E Zeigler	3	46	91		17,750	648
John F Stoltzfus	3	46	88		18,946	647
J David Martin	B3	42	86		17,885	644
Alfred Gaisler	3	45	87		18,112	635
Herbert B Shughart	3	26	88		17,720	634
Donald & Dave Lehman	3	71	87		17,969	633
J Shephard Wolff	3	51	86		16,916	630
Donald M Leatherman	B3	37	87		17,456	629
Samuel D Shenk	B3	59	88		16,988	629
Daniel L Martin Jr	B3	63	86		17,497	*628
Thrush Brothers	3	106	85		16,540	628
Elmer Gettle	B3	52	87		16,197	625
Robee Acres	3	103	88		16,832	616

(Turn to Page D19)

GARDEN CARTS With Dump Fronts



UNASSEMBLED... \$10.00 LESS!

Than Sale Prices Shown

SALE PRICE

- Small Cart Regularly \$159.00 **\$129**
- Large Cart Regularly \$179.00 **\$149**

BOWMAN'S STOVE SHOP

RD 3, Ephrata, PA 17522
Rt 322, 1 Mi East of Ephrata
(717) 733-4973

Tues, Wed 10-6; Thurs, Fri 10-8; Sat. 10-4

COMPLETE FARM PAINTING



INDUSTRIAL RESIDENTIAL

COMMERCIAL

We Use Quality Paint AERIAL LADDER EQUIPMENT

- Modern and Efficient Method
- Reasonable Prices
- Spray-On and Brush-In Method
- Sandblasting if Necessary

For Free Estimates Write or Call:

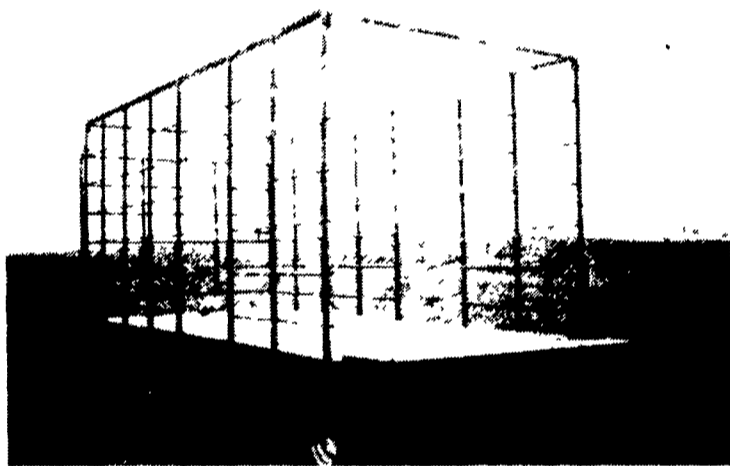
ESH SPRAY PAINTING

717-687-7007 or 687-8262

SPRAY-ON AND BRUSH-IN PAINTER

637 Georgetown Rd.
Ronks, PA 17572

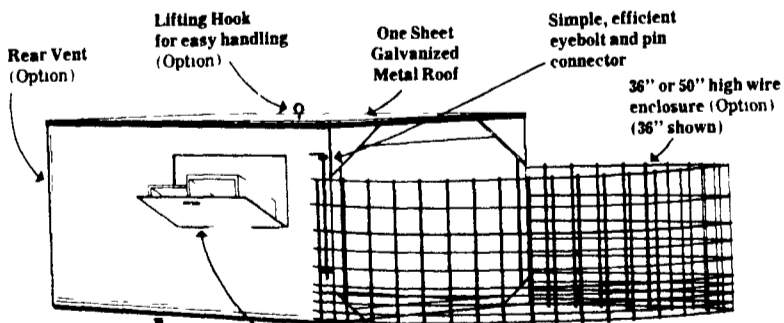
HAY WAGONS FOR SALE Wood or Steel



3 Sizes Available...16', 18', 20' with or without running gear

- Also will fit sides onto your flat wagon

Compare the Stoltzfus Woodwork Calf Hutch



Sturdy 2x4 construction Treated skids exterior plywood

Fill Out Feeder for easy access.

TRACK FOR FASTENING CALVES' CHAIN TO CEILING OF HUTCH

ALSO AVAILABLE:

Maryland:
LEROY HILDEBRAN
Woodsboro, Md
301-845-8929

Berks County:
JOE RUTH
RD #4133 Fleetwood, Pa 19522
215-944-7571

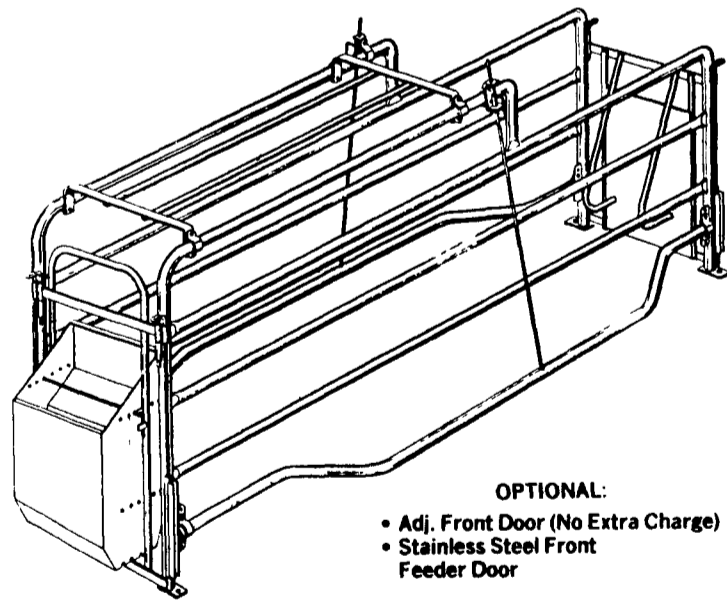
Lebanon County:
UMBERGER'S MILL
Rt 322, RD#4 Lebanon, Pa
717-867-5161

Virginia:
D.J. IMPLEMENTS
RD 2 Box 395
Dayton, Va 22821
703-879-9926

MFD. BY: STOLTZFUS WOODWORK
RD 2, Box 2280, Gap, PA 17527
717-442-8972

EXTRA HEAVY DUTY, HOT DIPPED GALVANIZED FARROWING CRATES

Compare the Weight



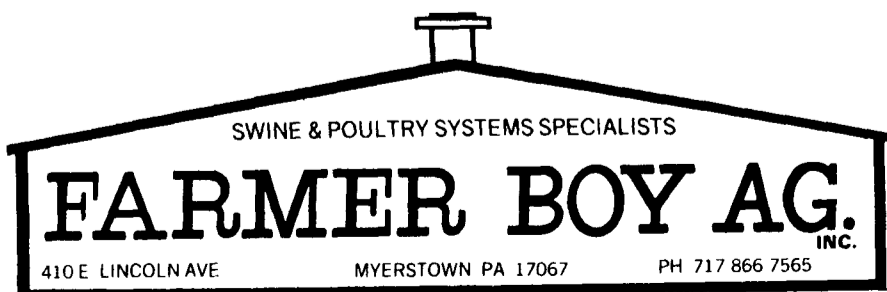
OPTIONAL:

- Adj. Front Door (No Extra Charge)
- Stainless Steel Front Feeder Door

This European style Farmer Boy crate reduces creep crushing because it is narrow at the top and wide at the bottom. This design prevents the sow from turning and ensures that she takes extra care in rising and lying down. The front and back doors open

easily and without losing pins, with the new style J pin. The all welded construction, hot-dipped galvanized after fabrication, eliminates sharp edges that can cause injury.

Compare The Weight On All Our Extra Heavy Duty, Hot Dipped Galvanized Hog Equipment



BEST IN DESIGN, PRICE AND EXPERIENCE