

Livestock market and auction news

Leesport Livestock

Leesport, Pa.

Wednesday, May 9, 1984

Report Supplied by PDA

CATTLE 374. Compared with last Wednesday's market, slaughter steers & bulls steady 1.00 higher. Slaughter cows mostly 50 cents to 1.50 higher. Few High Choice & Prime 1280-1305 lbs. slaughter steers 67.50-68.80, Choice Yield Grade 2-4 1090-1250 lbs. 64.85-68.00, Good 58.85-64.85, few down to 56.50, Good & Choice Holstein 54-58.10, few to 61.00, Standard 51-56.00, few Utility 45-48.25. Choice slaughter heifers 58-60.35, one at 65.00, one Prime 1270 lbs. 68.35, few Good 50-58.00, few Standard 49.25-51.00, few Utility 47.50-49.00. Breaking Utility & Commercial slaughter cows 44-45.50, few 49.50, Cutter & Boning Utility 40.75-44.25, few 45.25, Canner & Low Cutter 36.85-40.75, Shells down to 30.75. Few Choice slaughter bullocks 60.75-63.50, Good 54.25-58.00, few 65.00, few Standard 47.75-53.00. Yield Grade #1 1215-1940 lbs. slaughter bulls 52-54.50, few to 56.00, few Yield Grade #2 1320-1545 lbs. 47-50.10.

FEEDER CATTLE. Medium Frame #1 360-500 lbs. feeder steers 62.50-67.50, Large Frame #1 535-780 lbs. 56.50-59.50; Medium Frame #1 390-650 lbs. feeder heifers 46-49.50, Large Frame #2 225-440 lbs. 49.25-55.50; few Medium & Large Frame #1 535-760 lbs. feeder bulls 50.50-56.00.

CALVES 142. Vealers strong to 5.00 higher. Choice Vealers 80-90.00, Good 67-81.00, few Standard 60-71.00, Standard & Good 90-120 lbs. 58-62.00, few 65-85 lbs. 55-58.00, Utility 60-110 lbs. 28-45.00.

FARM CALVES. Holstein Bulls 85-130 lbs. 62-118.00, mostly 90-

115.00, few Holstein Heifers 105-140 lbs. 60-81.00. Beef Cross Bulls & Heifers 80-105 lbs. 64-110.00.

HOGS 497. Barrows & gilts 1.00-1.50 higher. US No. 1-2 210-250 lbs. barrows & gilts 48.25-49.35, one lot 49.50, No. 1-3 195-250 lbs. 47.85-48.85, No. 2-3 230-260 lbs. 47.35-48.00, few 275-290 lbs. 43.75-45.00, few No. 1-3 170-190 lbs. 41.75-47.50. Sows: Strong 1.00 higher. US No. 1-3 245-565 lbs. sows 38-42.50, few 47.50, No. 2-3 285-670 lbs. 30.50-38.00. Boars 25.00-33.50, Light Weights 32.00-42.00.

FEEDER PIGS 239. US No. 1-2 25-35 lbs. feeder pigs 100-110.00 per hundredweight, No. 1-2 35-50 lbs. 79-90.00 per hundredweight, No. 1-2 60-90 lbs. 66-83.00 per hundredweight, No. 1-3 35-40 lbs. 70-71.00, 55-77 lbs. 69-70.00 per hundredweight.

SHEEP 76. Spring slaughter lambs uneven. High Choice & Prime 25-60 lbs. spring slaughter lambs 70-93.00, one 104.00, few 50-120 lbs. 63-66.00, Good & Choice 30-55 lbs. 63-72.00, 75-100 lbs. 56-66.00. Few Yearlings 28-31.00. Slaughter sheep 10-25.00.

GOATS 32. Adults 26-36.00, few down to 15.00 per head. One Buck 53.00, Kids 20-35.00 per head.

Lebanon Valley Livestock

Fredericksburg, Pa.

Tuesday, May 8, 1984

Report Supplied by PDA

CATTLE 288. Compared with last Tuesday's market, slaughter steers unevenly steady, slaughter cows 25 cents to 50 cents, spots 75 cents higher. Choice 2-4 1100-1540 lbs. slaughter steers 63.50-65.85, one at 66.50, Good 59.10-64.00, Good & Choice Holsteins 55.50-58.00, few 60.00, Standard 51-54.85, few Utility

43.50-48.35, few Choice slaughter heifers 58.50-61.75, two YG 5 52.85&53.50, Good 52-58.10, Standard 46.50-51.50, low Standard 43.25-45.25, Utility 36.25-42.00. Breaking Utility & Commercial slaughter cows 44.00-46.00, few 47.85, Commercial one at 51.85, Cutter & Boning Utility 39.25-44.50, few 46.50, Canner & Low Cutter 35.75-40.25, Shells down to 24.00, few Good 51.50-54.50, few Standard 46-49.50. Yield Grade #1 1240-1830 lbs. slaughter bulls 49.25-56.00, one Yield Grade #2 1010 lbs. at 43.25.

CALVES 185. Vealers strong to 4.00 higher. Few Choice 89-97.00, few Good 76-87.00, Standard & Good 90-110 lbs. 60-63.00, 65-85 lbs. 52-60.00, Utility 50-100 lbs. 41.00-59.00, few down to 25.00.

FARM CALVES. Holstein Bulls strong to 10.00 higher. Holstein Bulls 80-130 lbs. 59.125.00, mostly 86.00-121.00, few Holstein Heifers 65-120 lbs. 79-85.00. Few Beef Cross Bulls & Heifers 90-125 lbs. 68-94.00.

HOGS 125. Barrows & gilts steady to weak on small supply. US No. 1-2 215-250 lbs. barrows & gilts 48.50-49.75, few 50-51.75, few No. 1-3 245-285 lbs. 48-48.75, few No. 2-3 235-285 lbs. 45.50-48.00, No. 1-3 125-185 lbs. 32.75-39.50, few 180-195 lbs. 40.10-42.25. Sows: US No. 1-3 315-580 lbs. sows 37.25-40.75, few 44.50-46.00, No. 2-3 285-555 lbs. 33.25-38.50, Medium 280-400 lbs. 27.00-32.25. Boars two at 29.00&30.00.

FEEDER PIGS 9.

SHEEP 12. Few High Choice & Prime 35-45 lbs. spring slaughter lambs 52-70.00. Few slaughter sheep 6.00-18.00. Goats 3: Adults 17.00-33.00 per head.

Omaha Cattle

Thursday, May 10

Report supplied by USDA

Fed cattle prices advanced 1.00-1.50 through the week under a good demand from most buying interests. Higher wholesale beef levels fueled the upturn as did packer needs for close up slaughter requirements. Overall finish continued on the ordinary side with light weight, weather stressed cattle making up a good percentage of the receipts. Cows .50-1.00 higher. Bulls 1.00 higher.

Estimated 5 day receipts 13,600, actuals last week 9028 and last year 12394. Steers comprised 41 pct of the week's receipts; Heifers 33 pct., Cows 6 pct.; Feeders 19 pct.

SLAUGHTER STEERS: Four loads Choice, few Prime 2-4 1200-1300 lbs. 68.00. Choice 2-4 1050-1300 lbs. 66.50-67.25; few lots 1000-1050 lbs. 66.00-66.50. Mixed Good and Choice 2-3 1000-1500 lbs. 64.50-66.50. Few Good 61.50-64.00. Few lots Mixed Good and Choice 2-3 1100-1300 lb. Holsteins 55.00-57.00.

SLAUGHTER HEIFERS: Choice 2-4 950-1100 lbs. 64.50-65.50, part load 66.00; some with considerable mud or weighing 875-925 lbs. 63.50-64.50. Good 60.00-63.00.

Average of LS 214 detailed quotations for 900-1100 lb. Steers 66.00; 1100-1300 lb. 67.05. Average cost steers 65.63, average weight 1147 lbs. as compared 65.69 and 1139 lbs. a week ago. Average cost Heifers 63.83, average weight 982 lbs.; as compared 63.71 and 989 lbs. a week ago.

COWS: Breaking Utility and Commercial 2-3 39.50-43.25. Cutter and Boning Utility 1-2 38.50-43.00, high dressing to 44.00. Canner and low Cutter 33.75-38.50.

BULLS: 1-2 1100-2000 lbs. 43.00-51.00, few high dressing individuals 53.00-56.75.

Belknap Livestock

Dayton, Pa.

Wednesday, May 9, 1984

Report Supplied by PDA

CATTLE 73. Compared with last Wednesday's market, few Standard slaughter steers 47.50-50.00, few Utility 45.75-47.00. One Good slaughter heifer at 56.50, few Standard 46-48.00. Breaking Utility & Commercial slaughter cows 41.75-45.50, one at 47.75, few Cutter & Boning Utility 39.25-42.50, Canner & Low Cutter 31.50-38.00. Few Yield Grade #2 975-1215 slaughter bulls 41.50-46.25.

FEEDER CATTLE. Few Medium Frame #1 750-930 lbs. feeder steers 46.50-48.25, Medium Frame #1 450-750 lbs. feeder heifers 40-45.25, Medium Frame #1 430-520 lbs. feeder bulls 51.50-58.00.

CALVES 77. One Choice Vealer at 80.00, few Good 66-73.00, Standard & Good 90-110 lbs. 55-60.00, 65-85 lbs. 45-56.00.

FARM CALVES. Holstein Bulls 95-135 lbs. 65-100.00, few 105-120.00.

HOGS 320. Barrows & gilts about steady. US No. 1-2 220-240 lbs. barrows & gilts 48.40-48.90, No. 1-3 205-265 lbs. 46.50-47.60, No. 2-3 200-280 lbs. 44-47.00, No. 1-3 140-190 lbs. 44-45.75. Sows: Steady. US No. 1-3 290-570 lbs. sows 38-43.00. One No. 3 at 630 lbs. at 35.00. Boars 28.00-30.75.

FEEDER PIGS 92. US No. 1-2 20-35 lbs. feeder pigs 23.50-35.00 per head, No. 1-3 35-45 lbs. 35-47.50, one lot Utility 30 lbs. at 20.00 per head.

SHEEP 33. One lot High Choice & Prime 95 lbs. spring slaughter lambs at 66.50. Slaughter ewes 10.00-12.50.

ROSKAMP: THE ROLLER MILL SPECIALISTS

Read This Personal Testimonial From:

POWL'S FEED SERVICE (717) 548-2488
P.O. Box 15, Peach Bottom, PA 17563

All of the feed processing done in our recently completed mill is done with a Roskamp Roller Mill and Ear Corn Crusher. We make feed for dairy, hog and commercial layer operations.

Our rolled and coarse textured feeds have been well received by our customers.

Comments we frequently hear are:

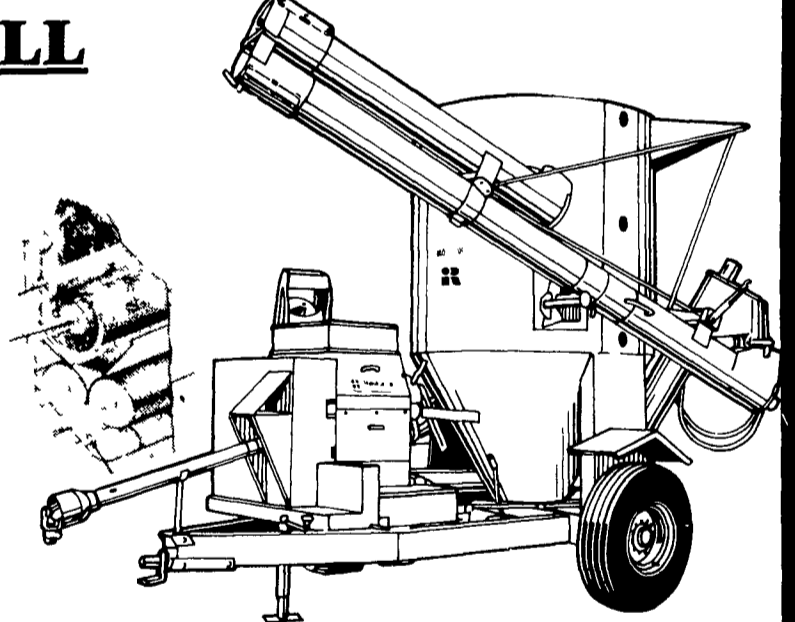
1. A lot less dust
2. Flows much better in our bins & feeders.
3. Works very well in our computer feeders.
4. Butterfat has increased .2% or more.
5. Feed conversion is just as good or better.
6. Feed is very uniform and consistent
7. Very little if any separation.

We are very pleased with the high capacity and low horsepower requirements of the equipment.

Greetings From Powl Country
POWL'S FEED SERVICE

DEMO ROLLER MIXER AVAILABLE - SPECIAL PRICING

Contact Your Local Dealer



Phone or Send for Free Literature

ROSKAMP MFG., INC.
2167 Rush-Medon Rd
Rush, New York 14543

Check here

Stationary Feed Processing Center
Portable Ear Corn Mill
Portable Grain Roller Mill
Silage Roller Mill
Have representative call or stop in

Name

R.R. or Box No

City

Zip

State

Phone

REGIONAL SALES MANAGER

Lou Shuba
716-533-2237

PENNSYLVANIA

Barrett Equipment Co.
Smicksburg, Pa.
814-257-8881

Clapper Farm Equip., Inc.
Alexandria, Pa.
814-669-4465

Fred Crivellaro
Easton, Pa.
215-258-7584

Tom Dunlap
Jersey Shore, Pa.
717-398-1391

Erb & Henry
New Berlinville, Pa.
215-367-2169

Fickes Silo Co.
Box 7
Newville, Pa. 17241
717-776-3129

Harclerode's Dairymen
Specialty Co.
New Paris, Pa.
814-839-2790

Hines Equipment
Cresson, Pa.
814-886-4183

J & M Machinery Co., Inc.
Greensburg, Pa.
412-668-2276

S.G. Lewis & Son, Inc.
West Grove, Pa.
215-869-9440

R.T. Markle
Farm Equip., Inc.
State College, Pa.
814-237-3141

Marshall Machinery, Inc.
Honesdale, Pa.
717-729-7117

MKS Enterprises, Inc.
Hanover, Pa.
717-637-2214

Northeast Equipment Co.
Northeast, Pa.
814-725-1888

North Penn Sealstor
Bloomsburg, Pa.
717-387-1422

Atlee Rebert
Littlestown, Pa.
717-359-5863

Rovendale Supply
Watsonstown, Pa.
717-538-5521

Sollenberger Silos Corp.
Chambersburg, Pa.
717-264-9588

Stouffer Bros., Inc.
Chambersburg, Pa.
717-263-8424

Swope & Bashore, Inc.
Myerstown, Pa.
717-933-4138

Tam Agri Corp.
Dillsburg, Pa.
717-432-9738

Terre Hill Silo Co., Inc.
Terre Hill, Pa.
215-445-6736

Uniontown Farm Equipment
Uniontown, Pa.
412-437-9851

MARYLAND

Arnett's Garage
RR 9 Box 125
Hagerstown, Md.
301-733-0515

P & S Equipment, Inc.
Street, Md.
301-452-8521

Tri-State Farm Automation
Hagerstown, Md.
301-790-3698

NEW JERSEY

Brookhill Equipment
& Supply Co.
Pittstown, NJ
201-735-4142

NEW YORK

Sharon Springs Garage, Inc.
Sharon Springs, NY
518-284-2346

WEST VIRGINIA

Ed Lipscomb's Equip.
Egion, WV
304-735-5239