

Troy Fair to offer new contest

TOWANDA — A new opportunity awaits all Bradford County craftspeople and homesewers who would like to exhibit their work and compete for prizes at the Troy Fair this summer.

The Home Arts committee, formed jointly by the Troy Fair Committee and the Bradford County Extension Office, has announced a new competition to be held during the entire week of the fair in the Linda Ballard Hulslander 4-H Building.

The Home Arts portion of the Troy Fair exhibits encompasses Department 18 — Home sewing and several types of needlecraft, as well as Department 19 — Other Traditional Handcrafts. The sewing categories include all types of clothing for infants, children, men and women. The Needlecraft Section includes embroidery, quilting, weaving, knitting and crocheting, as well as latch stitching, braided and hooked rugs and other needlework.

The traditional handcrafts include pottery, leatherwork, wood and metal working, hand-wrought jewelry, basketry, and arrangements of natural materials such as flowers, cones and nuts, wheat and straw. Folk art painting and doll making are also featured in this category, along with refinished furniture and seat weaving of chairs.

The details of entry and the scale of prizes will be available in the Troy Fair booklet which will be available soon. Meanwhile, all homesewers and craftspeople are urged to get busy making things for this exhibit. If you have questions, please contact one of the committee members.

Volunteers will be needed at Fair time in July to help check entries in and out, set up the exhibit, man it during the Fair and judge entries. If you are willing to do any of these chores, please contact the committee.

Fulton Grange meets

QUARRYVILLE — Thomas Galbreath presided at the April 9 meeting of Fulton Grange at Oakryn when six additional names were submitted for membership.

Fulton Grange No. 66 held an open house on April 23 at the Grange Hall when the charter was draped in memory of Clyde McSparran.

Lecturer Sandy Galbreath presented a skit titled "The Grange For You." The speaker was Betty Coyle, from the Lancaster General Hospital Blood Bank. Her topic was "The Needs of the Blood Bank and What the Blood Bank has to Offer You." She explained the program, including the mobile unit.

SILVERCREEK PRODUCE & SUPPLY

4x2000 Linear
Low Density
Mulch Film
Other Sizes
Available



CALL OR WRITE FOR PRICES



Hotkaps® Plant Protectors

To Insure
Earlier Crops
Use **HOTKAPS**
SPECIAL

\$85.00 per 1000



Knapsack Sprayer
SOLO JETPAK-425

A World-Wide Success World's first
and only all-plastic sprayer

on sale
now
only \$97.75

Start Seeds
Quickly

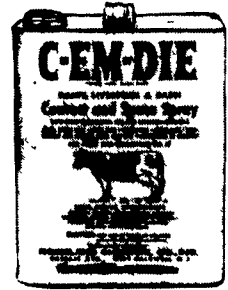


1000 per case
1- 3 cs 39 75
4-10 cs 39 00
11-25 cs 38 25
26-99 cs 37 50
100 & Over Ask

Call between 7:30 A.M. to Noon
717-374-8010
SILVERCREEK PRODUCE & SUPPLY
RT. 1 BOX 346
PORT TREVERTON, PA

Let Us Be Your Fly Control
Center And \$AVE!

IMPROVED
**GOLDEN
MALRIN**
5 Lb. \$10.95
6 Cans or More
\$10.50 ea.



5 Gallon Pails



Tri Jet Fogger

Selection of Dust Bags
And
Refills In Stock

Special
Prices!

HUBER'S
ANIMAL HEALTH
SUPPLIES

810 Tulpehocken Rd.
Myerstown, Pa.

717-866-2246
Mon., Thurs. & Fri.
7:30 AM to 8 PM
Tues. & Wed. 7:30 AM
to 5 PM;
Sat. 7:30 to Noon

Now You Can Rely On The K.C. DAIRY SERVICE ROUTE TRUCK!



Now Serving the Counties of Northampton,
Monroe & Lehigh in Pa. Also Sussex, Warren
& Hunterdon Counties in NJ

Dave Correll, our route truck serviceman, is now
personally providing dairy needs direct to your
farm...

- ★ JAMESWAY BARN EQUIPMENT
- ★ SURGE SANITATION EQUIP.
- ★ SPOT CHECK OF MILKING SYSTEMS
- ★ WATER ANALYSIS

Find Out Why "Service" Is Part Of Our Name!
• 3 Servicemen! • 3 Service Trucks! • 24 Hr. Service

K.C. DAIRY SERVICE

RD 2, Box 2332

Mt. Bethel, PA 18343

(717) 897-5141

FARMER BOY AG, INC.

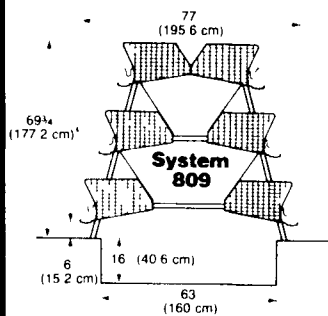
Distributor For
**DIAMOND
POULTRY SYSTEMS**



Farmington, Michigan

Diamond Systems

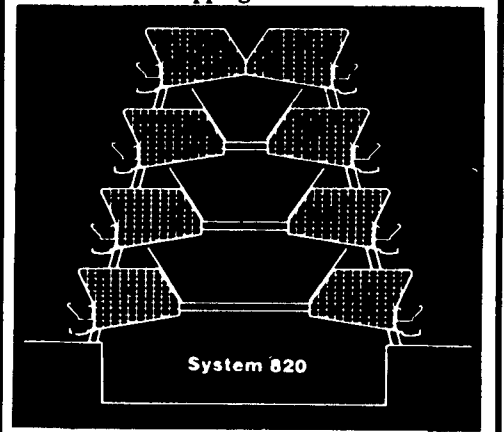
2- and 3-High
Modified Stair-Step
Cage Layer Systems



Exclusive
Contour
Cage
gives
birds
more
room

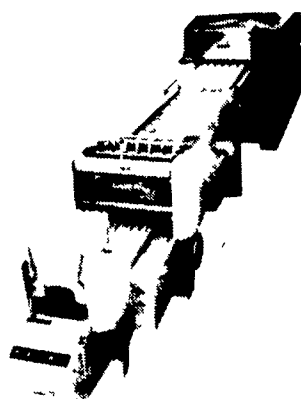
Diamond Systems

The All New Diamond Systems 4-High
Modified Stair-Step Cage Layer Systems With
Dropping Curtains



System 820

For Egg Packing
You Can Bank On Us.
**Diamond Automation's
FARMPACKERS**
are... Eggcellent!



New
Diamond Systems
3-High Starter-Grower

SALES & SERVICE
For Buildings And Equipment

CALL

IRVIN HORST **LARRY HORST**
Office (717) 866-7565 Office (717) 866-7565
Home (717) 866-2815 Home (717) 949-3022

SWINE & POULTRY SYSTEMS SPECIALISTS
FARMER BOY AG, INC.
410 E. LINCOLN AVE. MYERSTOWN PA 17067 PH 717 866 7565
BEST IN DESIGN, PRICE AND EXPERIENCE