

## Cumberland Baby Beef Club

The Cumberland County 4-H Baby Beef Club was honored by the Mechanicsburg Area Chamber of Commerce at the 58th 4-H Baby Beef Banquet.

John M. Hulse was the speaker. The following awards were presented: Senator Wade Plaque and Senior Champion

Showmanship, Chris Hopple; Cumberland County Grand Champion Steer Award, Angie Fought; Brindle Memorial Award and Intermediate Champion Showmanship, Allyson Sheaffer; and Junior Champion Showmanship, Stacy Suffel.

## Beards and Wattles

Beards and Wattles met at Debbie Franc's on April 12. The following officers were selected: Debbie Franc, president; Kim Mebus, vice-president; Cassie Smathers, secretary; Sue Dietrich, treasurer; and Amy

Mullins, news reporter.

On May 5 the club will show two sets of slides at the Franklin Hill Community Hall. The slide show is free and open to anyone owning goats or who is interested in owning goats.

## Lancaster Woolies Club

The Lancaster County 4-H Woolies Club recently selected new officers. Monica Esh is president, Pam Yeagley, vice-president; Lisa Sadler, secretary and Jennifer Wolgemuth, assistant secretary.

Other officers are: Tricia Musser treasurer; Tim Engle,

assistant treasurer; Michelle Mylin and Ellen Lewis, song leaders; Curt Engle and Scott Mylin, game leaders; and Tracy Kauffman and Shawn Garman, news reporters.

The club is still open to new members.

## Heather Schofield

(Continued from Page B27)

Heather plans to pass on to others. She says she is doing her homework to better prepare herself. This includes reading up on health concerns of the beef industry and on the nutritional value of beef and beef products. She is also collecting pamphlets to pass out to consumers.

Heather says that too much emphasis is placed on the consumer's fear of eating beef because of cholesterol and sodium

levels. "These problems are not bad," Heather says, "unless you are in a high risk level."

To prove her point of view further, Heather prepared a persuasive speech for her Speech Communications class. She presented both sides of the beef issues in an attempt to convince her classmates and instructor that beef is a good buy.

She succeeded. Her instructor, pleased with her point of view, gave her a grade of 97 out of a

possible 100 points. Her classmates found the speech convincing as well.

In this respect, speaking to non-farm groups, Heather believes her accounting degree will come in handy. With her business background, she is better able to relate to consumers and speak to them on their level.

With plans to become a certified public accountant and later move into the field of farm accounts, Heather finds

her combined interests in business and agriculture helpful. She is a member of the Penn State Accounting Club; Beta Alpha Psi, the honorary accounting fraternity; and is secretary of the Block and Bridle Club, the College of Agriculture livestock organization.

A true spokesman for Pennsylvania agriculture, Heather hopes to do an admirable job in promoting the state's beef industry. Her final remarks, "go out and enjoy a nice, juicy steak."



If Slow Cooling Affected Your Profits In 1983, Now's the Time...

**HAVE US EVALUATE YOUR COOLING EQUIPMENT FOR THE COMING SUMMER!**

## MUELLER

Has The Equipment You Need!

- Refrigerated Receivers
- Fre-Heaters
- Plate Coolers
- Hi-Perform Bulk Tanks



**MUELLER**  
Refrigerated Receiver

We Have More In '84!

And So Does...

## K.C. DAIRY SERVICE

RD 2, Box 2332

Mt. Bethel, PA 18343

(717) 897-5141

## HESS' BUTCHER SHOP

2635 Willow Street Pike, Willow Street, PA

**ATTENTION FARMERS**

**MAY SPECIAL**

Anyone Making An Appointment During The Month Of May To Have Beef Slaughtered...  
**NO KILLING CHARGE**

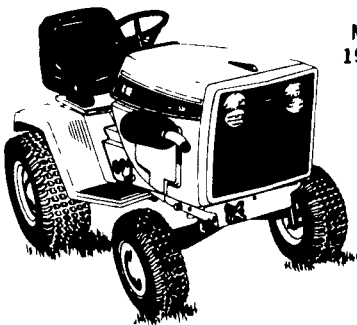
Also Custom Butchering For Pork

• Pudding • Scrapple • Sausage  
**CALL (717) 464-3374**

# TAKE A LOOK AT THIS...

The First American Built Diesel Garden Tractor

**Cub Cadet**



MODEL 882  
15 H P Diesel

Before You Buy - Check Our Prices!

- 3 Cyl. Diesel • Hydrostatic
- 3 Pt. Hitch (Extra)
- 38", 44" or 50" Mower

★ SALES & SERVICE ★

**MARTIN HARDWARE & EQUIPMENT CO. INC.**  
Rt 501 1 1/2 Miles South Of Schaefferstown PA  
PHONE (717) 846-6817  
OPEN Mon, Fri 8-8 Wed 8-12 Sat 8-5

## Homelite® pumps... the farmer's choice.

IDEAL FOR CORROSIVE AND ABRASIVE MATERIALS!

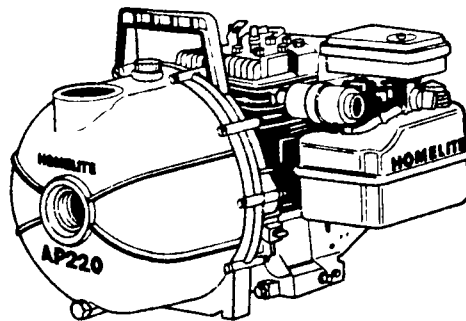
SAVE \$30 OFF REGULAR PRICE

AP-220  
(2")

List Price  
\$240.00

NOW

**\$189<sup>00</sup>**



- Pump**
- Fiberglass-reinforced thermoplastic construction
  - Self-priming design
  - Molded open 3-vane impeller
  - Molded carry handle
  - Universal mount base

- Molded volute
  - Molded rubber check valve
  - Stainless steel fasteners
- Engine**
- 3 hp. 4-cycle engine
  - Automatic rewind starter
  - Pneumatic governor

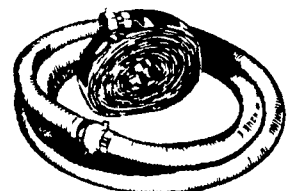
- 1 1/2" Fittings Supplied For Reducing

**SALE ENDS APRIL 30**

**WE SHIP UPS OR PARCEL POST**

Mon., Thurs., Fri. Til 9:30  
Tues., Wed., Sat., Til 6:00

**10% OFF**



**ALL 1 1/2" AND 2" SUCTION AND DISCHARGE PUMP HOSE**

717-665-2407  
Elm, Pa.

**Bombardier's**