

USED TRACTORS:

AC 185 AC WD & WD 45
AC 200 MF 90

Call For Our
SPECIAL PRICES
On These Used Tractors
SHAFFER EQUIPMENT CO.
RD #1 Box 196
Denton, Md. 21629
301-479-1477

FOR SALE

JD 8300 18x7 double disc grain drill, excellent condition Ford 240 finishing disc, 12 1/2 ft. wide, good condition Deutz Hay Tedder, 15 1/2 ft. wide, good condition Howard County, MD Call 301-489-7199

Int. turbo diesel 1066 tractor, cab w/air, heat and radio, new rubber on rear, looks and runs like new. Priced for quick sale \$10,900. Call 6 a.m. to 9 a.m. or after 6:30 p.m. Ask For Ernie 201-996-2101

FOR SALE

Allis Chalmers 4 row no-till corn planter with liquid fertilizer, excellent condition 400 gallon trailer type Century Sprayer with PTO pump 301-692-2055

FARM EQUIPMENT

FARM EQUIPMENT

FOR SALE

100 H.P. John Deere 4040 with Cab, Air Cond., 1600 Hr. Excellent Condition 717-733-8128

MESSICK FARM EQUIPMENT, INC.

Farm Equipment Is Our Business
RHEEMS EXIT, RT. 283, ELIZABETHTOWN, PA.

PH: (717) 367-1319 Toll Free In PA. 1-800-222-3373 Warren Spickler-Home 653-4560 We Ship UPS



EARLY RISER GIVES YOU BUILT-IN NO-TILL PERFORMANCE WITHOUT BUILT-IN EXTRA COST.



Early Riser Planters

Go power!

IH 5288 All Wheel Drive



THE NEW NUMBER
1
INTERNATIONAL

160 PTO HP

The New IH Tractor Gives You #1 • PERFORMANCE • PRODUCTIVITY • RELIABILITY

ATTENTION FARMERS
If Parts Are Needed After Hours To Keep You Going Through This Wet Spring, Call Jay Gainer, Our Parts Mgr. At Home 367-7926

A GOOD SELECTION OF USED EQUIPMENT

HAY & FORAGE
• NH 320 Baler, HD PTO, Flotation Tires, 1 Yr. Old, Like New w/ or w/out Thrower
• NH 320 Baler w/Thrower
• NH 1495 Haybine, Ford Engine, 12 Ft. Cut, Flotation Traction Tires
• NH 234 Wagon, Flotation Tires
• IH 56 Blower, HD PTO
• Herd Fertilizer Spreader & Seeder 2500 Lb. Cap., Misc.
• NH 890 Harvester, 12 New Knives, Pickup Attach., 2 or 3 Row Corn Head

• IH 555 Harvester 2 Row Corn Head
• Gehl 600 Harvester, Pickup Attach & 2 Row Corn Head
• NH 38 Crop Chopper
• NH 880 Harvester w/2 Row Corn Head
• NH #8 Forage Box High Side, 3 Beater, Roof w/238 Tandem Axle Gear
• AC Model K Combine w/Platform & 3 Row Corn Head Ex. Cond.
• NH 892 Harvester w/919 N3 Corn Head & 919 Pickup Attach.
• MF 124 Baler, Real Clean

TRACTORS

• Deutz 6806, 70 HP, 3 Pt. Hitch
• IH 340 Tractor, Fast Hitch
• IH 806 Gas

PLANTERS

• IH Model 5100 21x7 Grain Drill, Only Seeded 100 Acres
• IH 400 Air Planter, 4 Row Dry Fertilizer, Real Nice, Gandy Boxes
• IH 56 Planter, 4 Row, Dry Fertilizer, Real Nice Gandy Boxes
• IH Grain Drill, MF Disc Drill
• IH 400 6 Row Dry Fertilizer

GRINDER MIXERS

• NH 352 Grinder Mixer, 80 Bu
• NH 354 Grinder Mixer, 100 Bu

SPREADERS

• NI 218 Spreader, Hyd. Gate, Tandem Axle
• NH 365 Tank Spreader
• IH 580 Spreader, Tandem Axle, Hyd. Gate
• NI 214, Two Beater

USED LAWN & GARDEN TRACTORS

• Several Good Used Cub Cadets

TILLAGE

• IH 311 Plow
• JD 350 6 Bottom Plow
• IH 440 Plow, 4 Bottom 16", Demo
• IH 37 Disc Harrow, 10 Ft.
• IH 370 Disc Harrow, 12 Ft.
• IH 700 4 Bottom Auto Reset Plow
• Brillion 14 Ft. Transport Harrow
• Dunham 12 Ft. Cultmulcher
• Glencoe 9 Shank Soil Saver w/New Disc

SKID LOADERS

• NH L425, Rental Unit
• NH L775 Diesel, Deutz 50 HP
• NH L445 Diesel, Deutz 32 HP
• IH 2355 Loader Will Fit 706 Thru 5488 Tractors

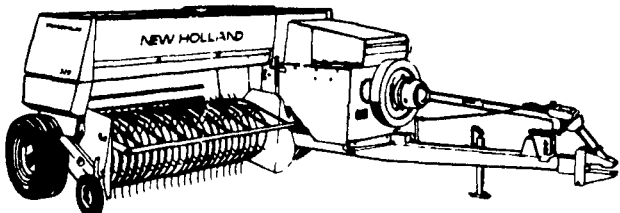
MISCELLANEOUS

• Lilliston Rotary Cutter, 7 Ft.
• IH 60 Shredder, 6 Rows
• IH 50 Shredder, 4 Rows

YOUR HAY MACHINE HEADQUARTERS



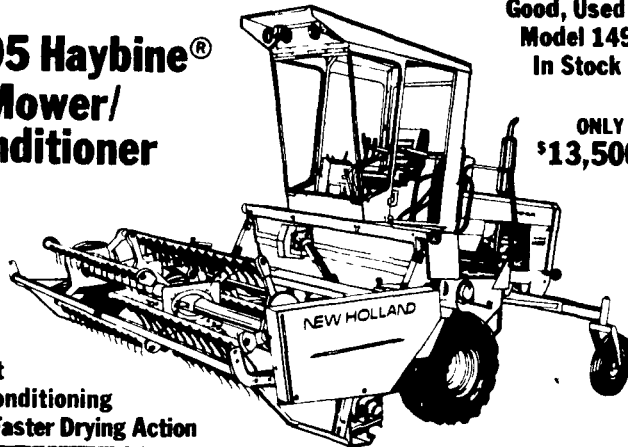
BALE AND LOAD IN 1/2 THE TIME



WITH NH 320 BALER

AND 75 BALE THROWER

1495 Haybine® Mower/Conditioner



We Have A Good, Used Model 1495 In Stock

ONLY \$13,500⁰⁰

• 12 ft. Cut w/9 ft. Conditioning Rolls for Faster Drying Action

NEW PROGRAM:

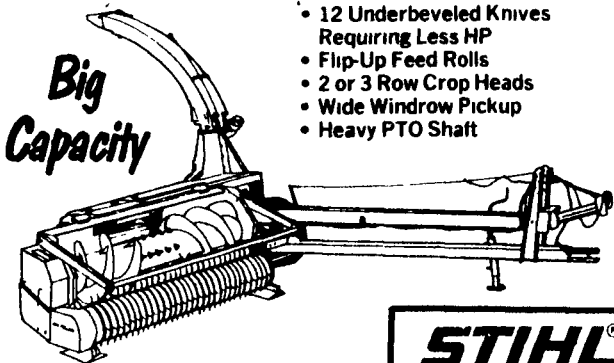
WAIVER OF FINANCE on Hay & Forage Equipment Till September 1, 1984.

LOW RATE FINANCING

• 0% Financing for 1 Yr.
• 3% Financing for 18 Mos.
• 6% Financing for 24 Mos.

BIG CASH REBATES

NH 892 FORAGE HARVESTER



• Metalert - Metal Detector
• 12 Underbeveled Knives Requiring Less HP
• Flip-Up Feed Rolls
• 2 or 3 Row Crop Heads
• Wide Windrow Pickup
• Heavy PTO Shaft



\$\$\$ GREAT SAVINGS \$\$\$ ON GUARANTEED USED EQUIPMENT

Like New, Some One Year Old Or Less
• NH 892 Harvester w/919 N3 Corn Head & 919 Pickup Attach
• NH #8 Forage Box Wagon, High Side, Roof, 3 Beater w/NH Model 238 Tandem Axle Gear
• NH L445 D Skid Loader
• NH 852 Round Baler, Auto Tie
• NH 234 Wagon Flotation Tires
• NH 320 Baler w/ or w/o Thrower
• NH 890 Harvester w/2 Row & Pickup
• IH Model 5100 21x7 Grain Drill, Only Seeded 100 Acres, w/Press Wheels
• Dunham 12 Ft. Cultmulcher, Ex. Cond.
• AC Model K Combine w/Platform & 3 Row Cornhead, Ex. Cond.
• IH 820 Grain Platform, 15 ft. Flex Cutter Bar

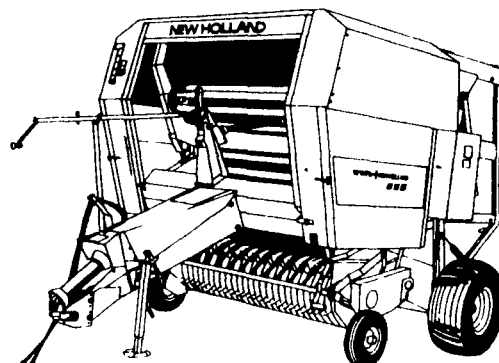
CAPACITY CHAMP!

For • Corn Fodder • High Moisture Haylage • Hay

PICTURE PERFECT BALES

All New Design Round Baler MODEL 855 & MODEL 849

• Great Capacity
• 5000 Bales or 2 Yr. Chain Warranty
• No More Floor Chains
• Air Spring Tension
• Better Bale Density & Shape
• Automatic Tie And Much Much More

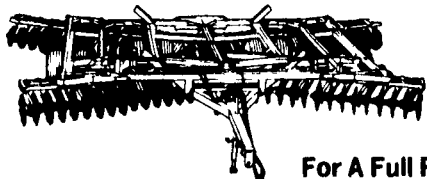


BREAKING NEW GROUND... NH TD 50

Featuring

• 3 Section Fold-Up Flex
• Tandem Disk Designed

For A Full Range Of Tillage Operations



MESSICK FARM EQUIPMENT, INC.

RHEEMS EXIT — RT. 283, ELIZABETHTOWN, PA
PHONE: 717-367-1319, 653-8867
TOLL FREE IN PA. 1-800-222-3373
WARREN SPICKLER — HOME 653-4560



★ WE SHIP UPS