

USDA reports acreage reduction figures

WASHINGTON, D.C. — Farmers have enrolled 123.6 million acres of feed grain, rice, wheat, upland cotton and extra long staple cotton base acreage in the 1984 acreage reduction programs, according to figures released by the U.S. Department of Agriculture.

Sec. John Block said if pending legislation becomes law, the program will be reopened for wheat but not for feed grain, rice or cotton.

The enrolled acreage represents 52.7 percent of the 234.6 million acres of total base acreage and includes 2 million of payment-in-kind acres signed up under the 1984 wheat program.

Signup was held Jan. 16 through March 16.

Participating producers will be eligible for program benefits such as Commodity Credit Corporation loans and purchases and target price protection and wheat growers will receive payment-in-kind for their PIK acreage.

Base acreage enrolled in the programs include 58.9 million acres of feed grains, 3.6 million acres of rice, 50 million acres of wheat, 11.1 million acres of upland cotton and 33,000 acres of extra long staple cotton.

Farmers who signed up to participate in the acreage reduction programs agreed to reduce their base acreage plantings by at least 25 percent for upland cotton and rice and 10

percent for corn, sorghum, oats, barley and extra long staple cotton.

Wheat growers agreed to reduce base acreage plantings by 30 percent and had the option of reducing plantings by an additional 10 to 20 percent under a PIK provision.

The cropland taken out of production must be devoted to an acreage conservation reserve.

The 1984-crop national average loan rates are: barley, \$2.08 per bushel; corn, \$2.55 per bushel; oats, \$1.31 per bushel; sorghum, \$2.42 per bushel; wheat, \$3.30 per bushel; rice, \$8.00 per hundredweight; upland cotton, \$0.55 per pound; ELS cotton, \$0.825 per pound.

Target prices for the 1984 crops are: Barley, \$2.60 per bushel; corn, \$3.03 per bushel; oats, \$1.60 per bushel; sorghum, \$2.88 per bushel; wheat, \$4.45 per bushel; rice, \$11.90 per hundredweight; upland cotton, 81 cents per pound; and extra long staple cotton, 99 cents per pound.

The following table shows the signup in conservation reserve by crop in both Pennsylvania and the U.S.:

Crop	PA		U.S.	
	Farms	Acres	Farms	Acres
Wheat	476	3,253	185,952	11,748,002
Wheat - ARP/PIK	296	1,523	53,513	1,991,534
Corn	3,806	20,545	387,360	4,388,847
Sorghum	57	81	79,640	812,118
Barley	151	170	36,617	541,109
Oats	621	864	24,926	145,257
TOTAL		5,407	768,008	19,626,867

Luzerne horse clinic set

MOUNTAINTOP — The Second Annual Horse Clinic will be held April 29 at the Hickory Hill Equestrian Center, Mountaintop, starting at 9 a.m. Clinic is sponsored by the Luzerne County Extension Service and the Luzerne County Horse Advisory Committee.

Schedule of events include: Horsman's Fashion Show, outfits compliments of F.M. Brown's Tack Shop, Sinking Springs; Tack Care by 4-H members; Combined Training by Stephen Bradley, Leesburg, Va; Respiratory Ailments by Dr. Ken Lloyd, D.V.M., New Bolton Center; Country Saddlery & Farrier by Gene Freeze, Gaithersburg, Md; Gymkhana by Jim Hill, Montrose; and Dave Atwood, Whiney Point, N.Y.; Western Pleasure & Equitation by Joe Boyle, Dallas; Pony Driving by Cynthia Puhl, Ringtown; and Horse Insurance by Guy Wood, Clark Summit. There

will be a question and answer time after each session.

There will be a Used Tack Shop with items for sale such as show clothing, used horse equipment, and used trailers. Space is available for anyone wanting to sell merchandise. Tack shops are also invited.

A refreshment stand with home baked goods will be available through out the day.

For more information or directions contact: Donna Skog, Extension Agent Courthouse Annex, 5 Water Street, Wilkes Barre, 18711 or call 717-825-1701 or 717-459-0736, ext. 706.

Garden Expo scheduled

NEWARK, Del. — The schedule has been set for the University of Delaware's Lawn and Garden Expo, Saturday, April 28, at the College of Agricultural Sciences, Route 896 in Newark. Programs will be held as follows:

Vegetable gardening: tomatoes and other transplants, Extension agriculture agent Derby Walker — 10 a.m. and 1 p.m.

Strawberries: planting and care, Extension vegetable specialist Ed Kee — 10:20 a.m. and 1:20 p.m.

Lawn care tips: Turf research

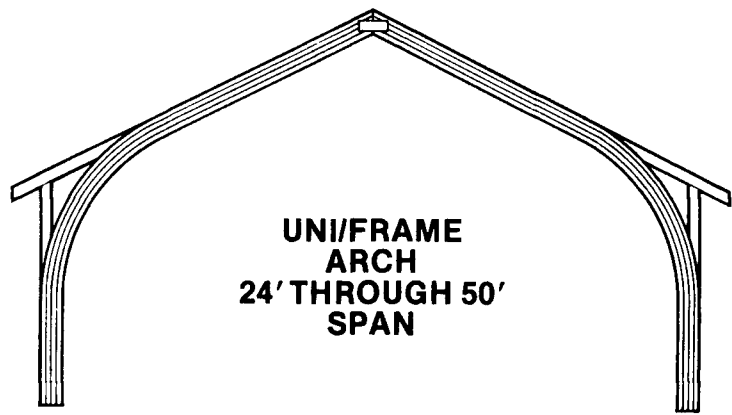
associate Gerald Hendricks — 10:40 a.m. and 1:40 p.m.

Trees: planting and care, State forester Walt Gable — 11 a.m. and 2 p.m.

Mowers and tillers: their care and safety, Extension agricultural engineer Tom Williams — 11:20 a.m. and 2:20 p.m.

Demonstrations of mowers and tillers: Tom Williams — 11:35 a.m. and 2:35 p.m.

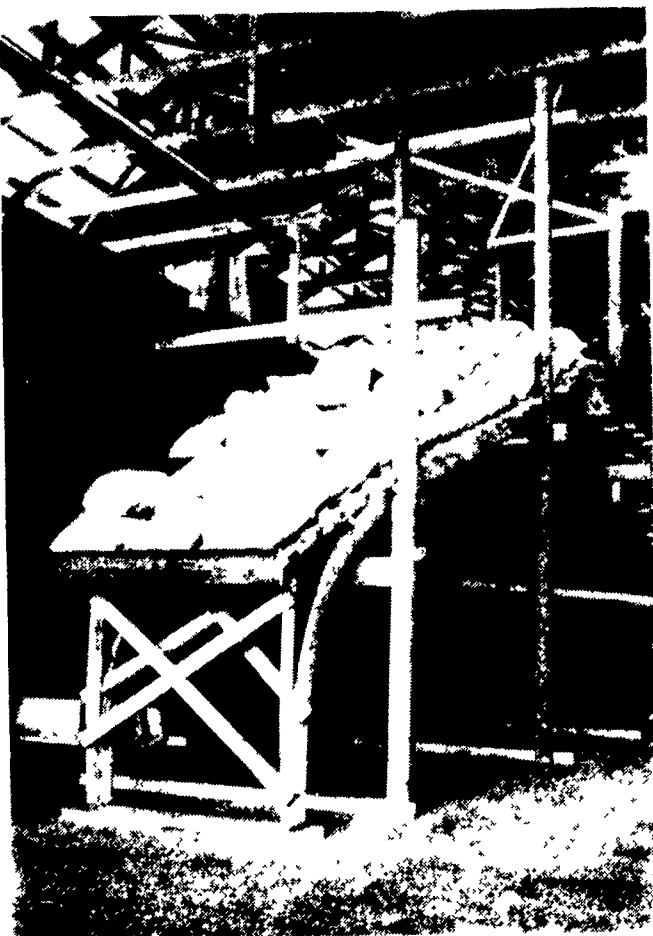
In addition, between the hours of 10 a.m. and 4 p.m., there will be guided tours of the Clarke Garden,



UNI/FRAME ARCH
24' THROUGH 50'
SPAN

UNI-FRAME ARCHS UNIQUE IN DESIGN - MORE USEFUL SPACE

Very Economical To Erect



End View of Test UNI-ARCHS

This Test Is Done Under Qualified Engineers, Directives & Procedure To Ensure A Better Product With Strength That Has Stood The TEST!



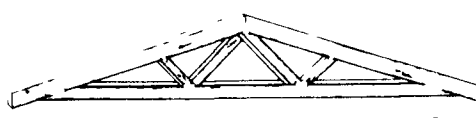
**UNI-FRAME ARCH TEST PROJECT
40' SPAN OVER 17,686 LBS.
Placed on Roof**

ITEMS WE STOCK

- * Laminated Arches & Beams
- * Lumber
- * Treated Timbers
- * Flooring & Decking
- * Corn Crib Siding
- * Fabral Roofing, Siding & Acces.
- * Cannon Ball Door Track
- * Agri Type Doors, Windows & Vents



ROOFING SIDING & ACCES.



TRUSSES FOR SMALL AND LARGE BLDG

Radio Truck Dispatched For Better Service For Our Customers

- * Test will continue until failure.
- * This test again proves the true strength of laminated wood arches which we manufacture at Rigidply Rafters for our customers
- * We continually devote time & effort to improve our products for customer needs at an economical price. Also minimizing erection costs
- * By testing and improving our products expresses & demonstrates our integrity with the Laminated wood products.

Rigidply Rafters, inc.

PH: 717-866-6581

Over 25 Years Of Quality Materials & Service