



Upper Susquehanna DHIA Monthly Report

MONTOUR, NORTHUMBERLAND, SNYDER &
UNION COUNTIES DHIA
February Report

Rolling Herd Average Above 650 Lbs. Fat
Montour

NAME	BRO	NO. COWS	% COW DAYS IN MILK	LBS. MILK	LBS. FAT
Carl Slater & Son	RH	34 4	87 4	20,495	753
PA Dept of Agri	R&GrH	113 2	84 4	18,250	704
Earl W Harris	RH	57 7	84 2	19,119	673
Clifford A LeVan	RH	19 8	86 0	16,556	670
Lundy Brothers	RH	37 1	85 1	17,338	662
Mar Ja Farm	RH	143 4	90 1	16,389	656

Northumberland

Irvin Reynolds	R&GrH	85 5	85 2	20,598	719
Truckenmiller Fms	R&GrH	62 3	87 2	18,780	713
RMD Shultz Farms	R&GrH	73 2	89 6	18,810	657

Snyder

R A Hoffman	R&GrH	30 8	83 1	21,261	766
HL Narehood & Sons	R&GrH	57 2	89 3	18,455	735
Glenn & Barb Carper	R&GrH	55 6	86 6	18,556	702
Rbt Ulmer & Sons	R&GrH	65 9	87 7	19,066	701
Elmer & David Apple	R&GrH	58 2	89 6	17,750	698
Harold S Hassinger	RH	42 3	86 2	17,109	686
W Paul Womer	R&GrH	33 7	87 8	18,458	677
Jesse J Yoder	R&GrH	64 6	90 1	18,452	665
Ivan & Marian Wenger	R&GrH	50 6	85 1	16,562	658
Urie & Dan Yoder	RH	52 0	85 6	17,329	654
Fisherdate Farm	R&GrH	70 9	91 6	17,361	654
Joe & Grace Blank	R&GrH	43 3	85 5	17,541	651
Dale Hornberger	R&GrH	35 5	83 9	17,513	651

Union

Clarence W Beiler	RH	63 3	88 5	19,793	782
John F Stoltzfus	R&GrH	49 2	89 6	20,810	754
Locust-Row Farm	R&GrH	47 1	90 9	18,820	725

Elam Beiler	RH	41 6	92 5	16,949	700
Amos J Zook	R&GrH	51 0	85 5	18,670	698
Ben S Yoder	R&GrH	38 5	84 1	18,628	681
Wood Ann Farm Inc	R&GrH	31 5	87 7	18,119	679
Jonas R Zeiset	R&GrH	41 5	90 5	19,962	678
Eugene Spangler	R&GrH	77 5	89 8	16,939	677
Jacob S Stoltzfus	RH	48 1	83 6	18,490	668
Mifflin Hills Farm	RH	54 3	86 1	18,930	652
Hemlock Mdw Farm	R&GrH	50 9	88 5	17,174	650

Lactations Finished Over 750 Lbs Butterfat
Montour

OWNER NAME OR NO.	AGE	DAYS IN MILK	LBS. MILK	% FAT	LBS. FAT
PA Dept of Agriculture					
284	4 7	305	21,158	4 0	854
392	2 11	305	26,360	3 4	902
P791	3 10	305	21,661	3 7	802
Earl W Harris					
Mary	5 4	305	22,553	3 5	782
Sharon	4-8	305	23,604	4 1	961
Clifford A LeVan					
Carol	8 4	305	21,978	3 6	799
Buckeye Acres					
64	6-2	305	16,766	4 5	756
80	5 10	305	20,195	4 2	845
Carl R Slater & Son					
Bret 31	7 4	305	19,488	4 3	846
Adele 87	4 2	305	23,167	4 0	923
Hostetler Brothers					
Missy	4 10	305	18,952	4 1	774

Northumberland

E Delrue Schnure Jr					
Agnus	4 7	305	18,760	4 1	770
Truckenmiller Farms					
B01	3 4	305	20,614	3 7	761
Park Buckwalter & Sons					
Carrie	4 3	288	23,761	3 2	768
John Bomberger & Sons					
368	3 3	305	21,081	3 6	751
370	3 3	305	23,940	3 3	800
Shoch Manor Farms					
248	4-2	305	23,284	3 6	828
Harold Klock & Sons					
Dolly	5 11	305	22,330	3 9	866
Robert N Bechtel					
Whitie	6 7	305	9,896	8 8	866
Fred & Tom Strouse					
Buffalo	6 5	305	17,979	4 6	827

Snyder

Fisherdate Farm					
Tufy 164	5 7	305	22,654	3 4	764
Leire Fry & Sons					
Total	5 8	305	21,649	3 6	773

Urie & Dan Yoder					
Wilma	5-2	305	20,891	4 0	833
Harold S Hassinger					
147	5 10	305	22,866	3 9	902
H L Narehood & Sons					
Eve 7	6 7	305	23,409	3 6	850
Petun 12	4 2	305	17,588	4 3	750
Kiten 37	3-3	305	20,483	4 1	836
Randolph A Hoffman					
Ailene	3 8	305	22,568	3 8	861
Glenn & Barb Carper					
Chris 21	4-5	305	21,183	3 6	771
Robert Ulmer & Sons					
Neva 36	5-0	305	20,849	4 0	836
Lady 8	3 9	305	20,039	3 8	765
Sauderdale Farm					
Cindy 37	6 1	305	19,651	4 5	885
D & N Hornberger					
Bessy 11	4 9	305	21,012	3 7	777
Nevin C Hoover					
Claire	4 3	305	19,725	3 9	777

Union

Zi Wes Dairy Farm					
Carrie	6-6	305	23,743	3 4	801
San Be Farms					
Trudy	4-7	305	23,870	3 4	801
Clarence W Beiler					
Stacey	4-4	305	20,394	3 7	756
Freckle	2 7	305	20,796	4 2	878
Joal Ann Farms					
Ball	6 6	305	28,724	3 0	866
Elam Beiler					
Debbie	4 4	305	21,198	3 5	751
Amos J Zook					
Debra	5 4	305	20,084	4 0	806
Wood Ann Farm Inc					
Nancy	4-0	305	25,169	3 3	825
Mark A Mapes					
23	3 9	305	22,874	3 4	781
Lumreek Holsteins					
Olive	5 4	305	20,514	3 8	784
Jacob S Stoltzfus					
Echo	7 6	305	21,371	4 0	848



FARMER BOY AG, INC.

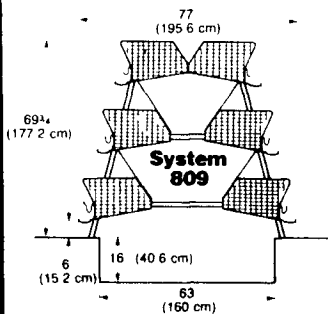


Distributor For
**DIAMOND
POULTRY SYSTEMS**

Farmington, Michigan

Diamond Systems

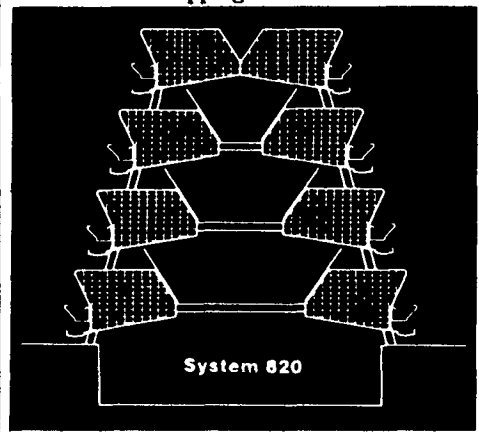
**2- and 3-High
Modified Stair-Step
Cage Layer Systems**



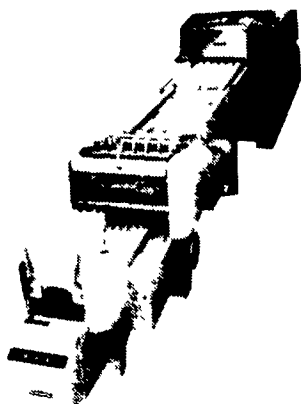
Exclusive
Contour
Cage
gives birds
more
room

Diamond Systems

The All New Diamond Systems 4-High
Modified Stair-Step Cage Layer Systems With
Dropping Curtains



For Egg Packing
You Can Bank On Us.
**Diamond Automation's
FARMPACKERS
are... Eggscellent!**

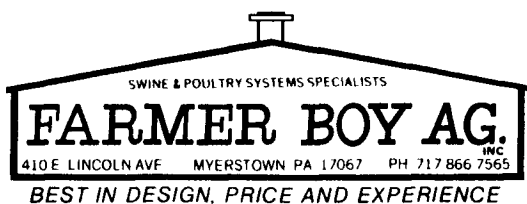


**New
Diamond Systems
3-High Starter-Grower**

**SALES & SERVICE
For Buildings And Equipment**

CALL

IRVIN HORST LARRY HORST
Office (717) 866-7565 Office (717) 866-7565
Home (717) 866-2815 Home (717) 949-3022



SMUCKER'S SALES & SERVICE, INC.

RD #2, BOX 21
NEW HOLLAND, PA 17557



12-36 bhp

**TS2/TS3
AIR
COOLED
DIESELS**



**FOR PROMPT SERVICE CALL
717-354-4158 OR IF NO ANSWER
CALL 717-354-4374**

CONSTRUCTION

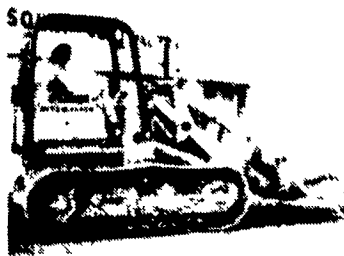
SPECIALISTS IN:

**FARM BUILDINGS - EXCAVATING
MANURE PITS - SEPTIC TANKS**

Septic Tanks

- RESIDENTIAL SEPTIC SYSTEMS
- FARM WASTE SYSTEMS
- COMMERCIAL WASTE SYSTEMS

- FREE ESTIMATES -



— SPECIAL FARM PRICES —

**DYNAMIC MASONRY
CONTRACTORS**

Gordonville, PA

Mike Fisher

Larry Herr

(717) 687-6801
After 6 PM, Call (717) 687-7217