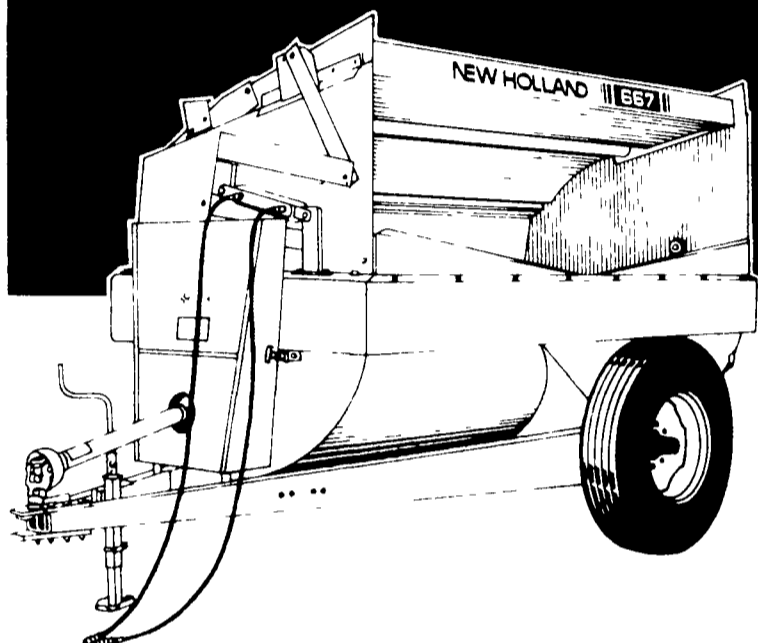


# SPECIAL SAVINGS DURING OPEN HOUSE

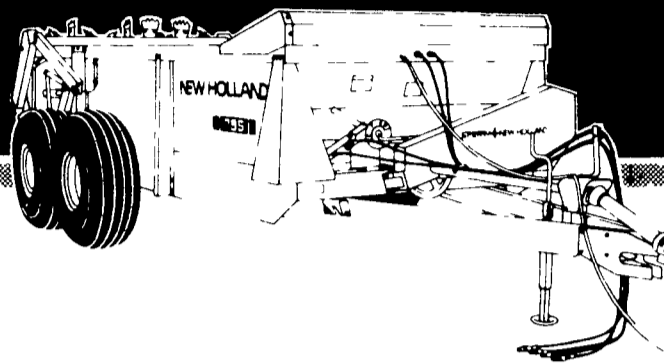
**ON ALL  
NEW HOLLAND EQUIPMENT  
IN STOCK**

**Introducing  
a new  
"clean  
machine".**



Three new models are available in capacities from 745 gallons to 1,060 gallons. Right- or left-hand unloading is available on all three. And hydraulic foldback lids are standard equipment you operate them from the tractor seat. Tanks and lids are made from acid resisting copper-bearing steel so they last longer. Sturdy A-frames carry the load instead of pulling it. And rugged flails handle all kinds of manure — even pen-packed slabs or frozen chunks. Come in and look at our new line of "clean machines."

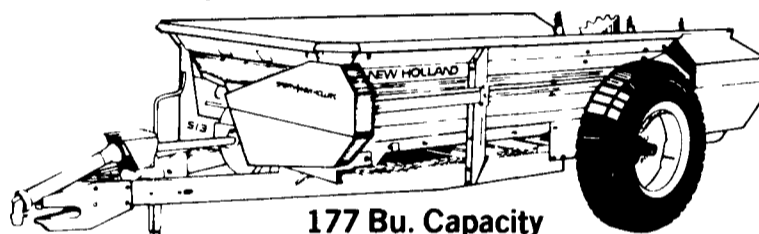
**10 tons  
per load.**



The Model 795 is our second-largest spreader and has an ASAE rating of 440 cubic feet heaped volume (410 bushels). Stop by and take a closer look at the newest addition to the number one selling spreader line in North America. You'll see it has the ruggedness, reliability, performance and convenience features you want in a spreader this size.

**WE HAVE THE SIZE YOU NEED IN STOCK  
AND READY TO GO**

### 513 BOX SPREADER



**177 Bu. Capacity  
• 2 Spreading Speeds & Cleanout**

**FOR THE BEST IN MANURE  
HANDLING EQUIPMENT, CALL  
OR STOP BY KELLER BROS. TODAY**

**Keller Bros. Is A Full Service Dealer Handling These  
Additional Lines Of Equipment:**

**Kelley**  
BACKHOES

**Demco**  
SPRAYERS

**WOODS**  
MOWERS

**ARPS**

**AMCO**

**LANDOLL**

BUCKETS & BLADES

DISC HARROWS

SOIL MASTERS

**LILLISTON**

**DUNHAM LEHR**  
LOADERS

NO TILL GRAIN DRILLS

Here Is An Example Of  
One Of The Many Specials  
We Are Offering During  
OPEN HOUSE DAYS!



**POST  
HOLE  
DIGGER**

With  
12" Auger

**\$295<sup>00</sup>**

PARTS ★ SALES ★ SERVICE

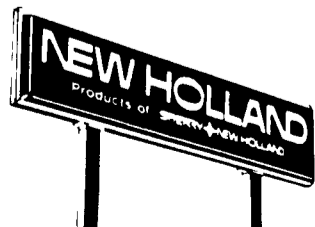
**KELLER BROS.**

SINCE **TRACTOR CO.** 1921

717-949-6501

NEW TOLL FREE NO. 1-800-822-2152

Rt. 419 Between Schaefferstown & Cornwall, Lebanon County



AUTHORIZED  
SPERRY-NEW HOLLAND  
PARTS and SERVICE

