

Franklin Holstein directors

Septage program reported

HARRISBURG — Treatment and disposal of septage (septic tank wastes) will be the subject of a two day conference March 28 and 29 at the Grantville (Harrisburg Area) Holiday conducted by the Penn State Cooperative Extension Service.

The objective of the program is to provide information to all persons interested in septage management on the most feasible methods available for the treatment and disposal of septage. Topics and speakers are:

A status report on how septage is presently managed.

A panel of haulers who will describe the problems faced with septage treatment and disposal.

Lagoon storage and farmland disposal, Henry Yeska Jr., Northampton County.

Lime stabilization, dewatering, and land application of sludge, Tom Ferrero Jr., Montgomery County.

On-site wastewater management districts, Foster Diodato, Pa. DER

Lagoon settling and dewatering to sand filters, Karen Mancl, Penn State.

Role of the county in septage management, Tom Kelso, Tatman and Lee, Wilmington.

Lime stabilization, Russell Tatman, Tatman and Lee.

Septage treatment at a sewage treatment plant, Arthur Moeller, Superintendent, Nockamixon State Park.

Disposal on somewhat poorly drained soil, William Palkovics, Delaware Valley College of Agriculture and Science.

Septage composting, John Miller, A&M Composting, Lancaster.

Other Alternatives, Ken Wiswall, Roy Weston, West Chester.

Acquiring a land utilization permit, Richard Fox, Penn State.

Role of a state wide haulers Association.

In addition, Nicholas De Benedictis, Secretary, Pa. Dept. of Environmental Resources, will address the group Thursday evening on the subject of the role of DER in the Future of Septage Management.



The 1984 Franklin County Holstein Club directors include:

Front row, left to right: George Cashell, Chambersburg, state director; Harold F. Crider, Chambersburg, president; Roy Cordell, Chambersburg, vice president; Norman Sollenberger, Fayetteville, secretary-treasurer.

Middle row, left to right: Alvin E. Meyers, Chambersburg, youth chairman; Fred E. Rice, Chambersburg; Grant Gayman, Waynesboro; and James Burdette, Mercersburg, breed improvement.

Back row, left to right: Robert Eckstine, Mercersburg, sales representative; Jaye Young, Greencastle, news reporter; Edward Brake, Mercersburg; and J. Robert Meyers Jr., St. Thomas.

Crop acreage increases

HARRISBURG — Pennsylvania farmers intend to plant more acres of corn, oats, barley, hay and soybeans than in 1983, according to the Pennsylvania Crop and Livestock Reporting Service. Intended acreage to be planted and the percentage changes from last year are as follows: corn, 1,800,000 acres — up 13 percent; oats, 350,000 acres — up six percent; barley, 85,000 acres — up 13 percent; all hay, 2,000,000 acres — up two percent; soybeans, 125,000 acres — up 14 percent; tobacco, 12,000 acres — unchanged.

United States farmers intend to plant more acres of corn, all hay, soybeans, and tobacco, but fewer acres of oats and barley. Intended acreage to be planted and percentage changes from last year are as follows: corn, 81.77 million acres — up 36 percent; oats, 13.62 million acres — down 33 percent; barley, 10.57 million acres — down fractionally; all hay, 62.54 million acres — up three percent; soybeans, 65.24 million acres — up three percent; tobacco, 794,000 acres — up one percent.

Award Winning CIMARRON ALFALFA

Available for Spring also

WL 311, WL 313, WL 318, Saranac AR, Clover, Orchard Grasses, Oats

TOBACCO NEEDS

- Nylon Bed Covers • Bed Fertilizer
- Cotton Hulls • Seed

BALER & BINDER TWINE

FARMERS SUPPLY

Box 1537

215 East Fulton St.

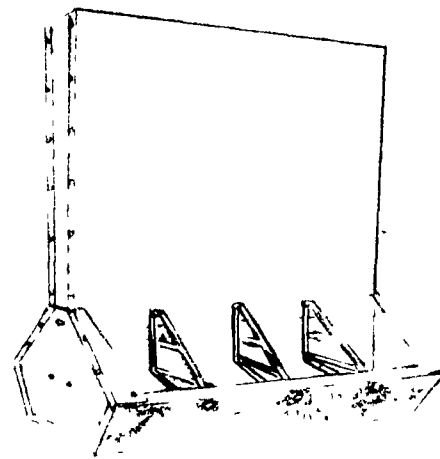
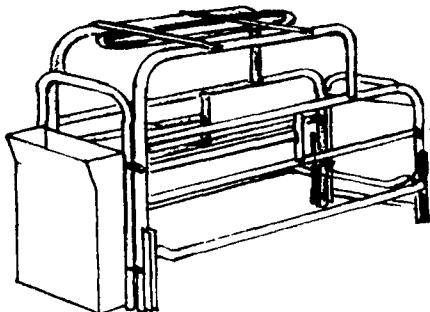
Lancaster, PA
(717) 394-7127

The Systems Approach of Hershey Equipment lets you put it all together

Today's profit minded poultry, swine, and grain producers must think in terms of an automatic system.

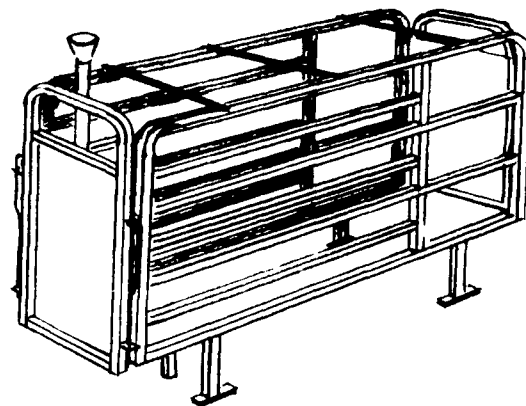
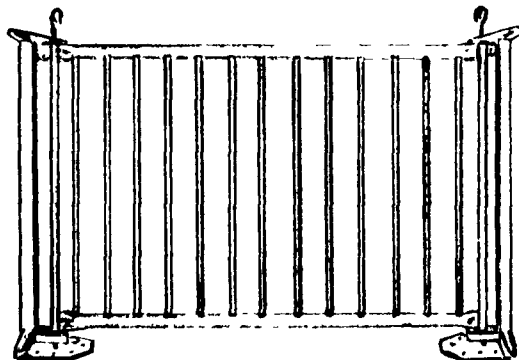
"System thinking" can help you plan away problems before you begin, or it can help you automate away problems you now have.

Hershey Equipment Co. is geared to provide all components of the system including equipment, plumbing, electrical and building. This will assure that the pieces will fit together to form a profitable system.



H

HERSHEY Hog Systems
Hot Dip Galvanized



H

HERSHEY EQUIPMENT COMPANY, INC.

SYCAMORE IND. PARK
255 PLANE TREE DRIVE
LANCASTER, PA 17603
(717) 393-5807

Route 30 West at the Centerville Exit.

Designers of Quality Systems for Poultry, Swine and Grain Handling.