



Bedford County DHIA Report

December Report

Owner	BRD	COWS	% DAYS IN MILK	LBS. MILK	LBS. FAT
Byron Over	3	70 4	87 9	20,799	776
Luther&Phil Steele	B3	72 4	87 6	18,556	736
Harry W Wareham	B3	73 0	86 1	17,524	702
Obie Snider	3	161 0	86 3	18,237	696
Paul I Detwiler	3	106 0	89 6	17,230	690
Paul&David Helsel	G3	94 9	87 4	18,334	689
Dale A Baker	B3	53 0	89 1	16,892	681
Edward A Deputy	B3	135 8	88 2	18,921	680
Jerry L Hershberger	B3	95 0	89 5	17,959	679
Paul Den	3	75 2	92 1	17,733	671
George Garman&Sons	B3	51 4	87 6	17,154	671
Russell Wyles	B3	66 6	80 3	17,560	669
Greg&Betty Shaffer	B3	45 4	88 3	16,711	666
Raymond Hinsh Jr	3	70 6	87 0	17,345	665
Paul R Ritchey	3	70 6	87 0	17,345	665
J Allen Baker	B3	116 3	89 0	17,723	657
Allen Claar	B3	54 9	87 2	18,414	652

The following cows completed 305 day lactation with 800 lbs or more of butterfat in the last quarter of 1983

OWNER NAME OR NUMBER	AGE	BRD	LBS. MILK	LBS. FAT
J Allen Baker				
Piper	4 4	3	24,215	952
Frances	4 3	3	22,509	834
Byron Over				
Boots	5 4	3	23,768	822
Obie Snider				
Stace	5 5	3	23,023	943
Stylish	3 4	3	20,954	864
Vi	3 8	3	21,764	882
Clarence&Ken Mowry				
Corina	5 1	3	22,700	881
Corelle	3 5	3	28,354	1161
Raymond Hinsh Jr				
Connie	3 9	3	19,971	945
Anna&Henry Hall				
Lilly	10 9	3	21,240	823
Tulip	6 0	3	20,458	880
Patty	5 9	3	22,370	890

Paul Den					
Sweet	1 3				
Greg&Betty Shaffer					
15	5 1	3	19,041	834	
Springton Manor Farm					
85	8 1	3	17,846	812	
Dale A Baker					
91	4 0	3	20,594	909	
Andy T Mohr					
Patty	4 5	3	20,291	879	
Bernard Snider					
Lucky	5 5	3	29,482	917	
Ivory	5 5	3	20,665	802	
PA Ross Holsteins					
Vera	5 3	3	21,593	837	
James L Steele					
Irma	7 5	3	25,342	1091	
Jenel	2 11	3	23,633	935	
David&Soraya Graham					
16	3 10	3	20,171	861	
Robert H Beach					
198	8 0	3	17,836	860	
J Allen Baker					
Sallie	8 5	3	20,734	877	
Luther&Phil Steele					
Goldie	8 10	3	23,453	1067	
Starla	5 11	3	19,861	850	
Pebbles	3 2	3	18,315	854	
Obie Snider					
Peppy	4 3	3	22,765	918	
Suz	4 4	3	27,586	1024	
Melody	3 4	3	20,604	838	
Dix	3 3	3	24,160	845	
Sarah	3 2	3	20,219	869	
R Clair&Alan Koontz					
Kim	5 10	3	21,701	841	
Jerry L Hershberger					
43	4 7	3	20,890	833	
Anna&Henry Hall					
Ginger	6 7	3	18,917	926	
Three Spring Run Farm					
438	6 3	3	20,653	883	
George Garman&Sons					
Phyllis	3 7	3	28,394	1041	
Greg&Betty Shaffer					
33	6 0	3	20,008	834	
34	4 2	3	22,785	972	
Dale A Baker					
Reta	6 5	3	22,426	890	
Peach	6 5	3	20,089	868	
Ch&Ross Hershberger					
127	7 10	3	18,476	821	
Snake Spring Farm					
403	7 6	3	22,535	863	
Raymond R Yoder&Sons					
Franke	7 11	3	17,180	941	
Paul I Detwiler					
42	8 11	3	23,008	1121	
101	4 3	3	21,487	838	
115	4 4	3	21,205	870	
Donald Bowser					
254	4 6	3	23,097	867	
Robert H Beach					
230	6 1	3	20,634	956	

J Allen Baker					
Cherry	5 9	3	22,504	831	
Elwood&Rich Smith					
Grace	6 2	3	21,882	812	
Dwight Kagarise					
Jesse	6 0	3	22,156	837	
Peach	5 0	3	22,249	807	
Russell Wyles					
Hope	8 11	3	18,969	803	
Luther&Phil Steele					
Prissy	7 2	3	19,312	803	
Victory	6 2	3	22,289	919	
Bertha	5 0	3	18,467	835	
Goldust	5 1	3	24,636	969	
Satin	4 1	3	21,690	854	
Byron Over					
Sandy	4 1	3	19,293	878	
Florence	3 11	3	21,396	847	
Phyllis	3 10	3	21,116	802	
Obie Snider					
Dale	7 1	3	26,695	1030	
Hat	4 7	3	24,550	1025	
Sugarcan	4 3	3	25,219	973	
Jellie	3 5	3	20,918	816	
Daphne	3 8	3	24,152	815	
Snyder E Henry					
Butter	5 4	3	18,856	858	
Jerry L Hershberger					
41	6 3	3	21,494	839	
17	6 4	3	22,900	969	
32	5 4	3	20,744	863	
12	4 5	3	24,257	887	
Raymond Hinsh Jr					
Marcela	5 5	3	23,284	938	
Janet	4 10	3	27,208	1130	
Polly	4 9	3	21,161	1038	
Paul Den					
Tot	4 7	3	21,360	818	
Jill	4 4	3	20,208	835	
Flo	3 2	3	20,080	833	
Paul R Ritchey Jr					
2	5 4	3	22,355	807	
78	5 0	3	19,883	823	
Edward A Deputy					
89	4 2	3	21,522	843	
Bernard Snider					
Cheryl	9 2	3	21,659	954	
Gwen	6 2	3	20,458	864	
Bell	5 6	3	21,027	849	
Daffy	6 0	3	22,181	964	
Roger R Brumbaugh					
Roxy	4 5	3	20,355	802	
Keith&Betty Black					
139	5 2	3	19,342	835	
Ch&Ross Hershberger					
139	7 1	3	18,333	805	
112	7 10	3	18,368	862	
James L Steele					
Jamie	6 0	3	21,897	871	
Snake Spring Farm					
438	10 3	3	20,854	821	
284	5 5	3	20,137	805	

(Turn to Page D20)

ROSKAMP: THE ROLLER MILL

The Portable Roller Mill

SPECIALISTS

1 DUST COLLECTOR ELIMINATED

- A Greatly reduces feed loss from flour & fines
- B Reduces respiratory problems in animals
- C Reduces dust in confinement facilities
- D Improves feed palatability
- E Reduces bridging in bins & feeders
- F Helps improve butterfat test
- G Helps to reduce ulcers in hogs

2 SELF-CONTAINED HYDRAULIC DRIVE

- A Operates infeed & unloading augers
- B Eliminates hose coupler problems and hydraulic fluid contamination
- C Convenient to use with any 540 PTO tractor
- D No drive shafts, gear boxes or bevel gears

ADD OVER 46 YEARS OF ROSKAMP EXPERIENCE IN GRAIN PROCESSING FOR FEED MILLS AND FARMS AROUND THE WORLD, TO YOUR FARM.

3 EAR CORN CRUSHER

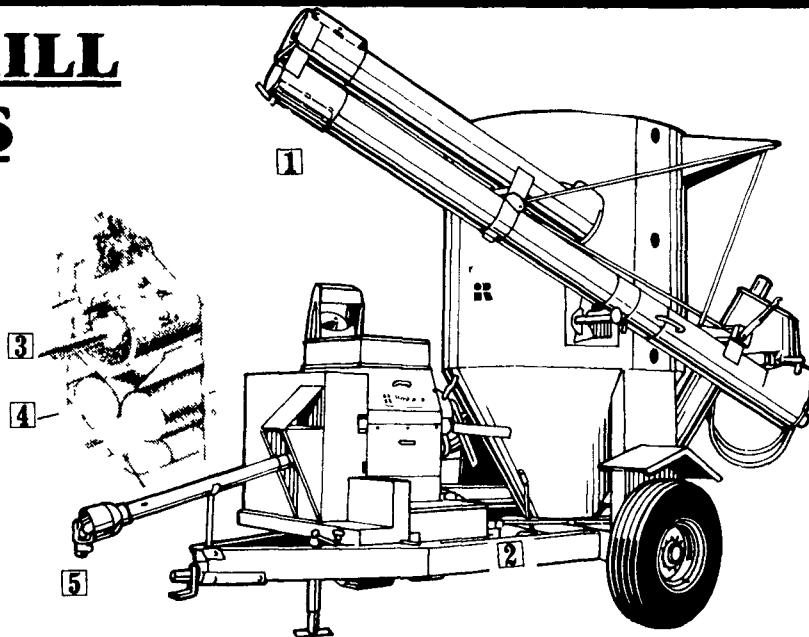
- A Whole kernels pass through screen after being shelled from the cob
- B Cob is reduced to uniform size by forcing it through the screen (no grinding)
- C All husks are shredded to small pieces that won't wrap or cause bridging. An asset in automatic feeders
- D No knives to get dull, sharpen or replace

4 SOLID WHITE IRON ROLLS

- A Rolls turn at the same speed (regardless of moisture content) to reduce flour & fines
- B Rolls are self cleaning at any moisture because of the metal and shape of the corrugations
- C Rolls can be recorrugated (after considerable usage) many times very economically
- D All grain is crushed not shredded or ground as occurs when one roll turns faster than the other. Process small grain and compare
- E Used in feed mills in over 40 countries around the world
- F Low maintenance cost & quiet operating V-belt drive

5 ENERGY EFFICIENT

- A Low horsepower requirements (30-50 hp) for high capacity
- B University research proves an average of 10% better feed conversion
- C High capacity & low horsepower to fill silo with high moisture ear corn



Phone or Send for Free Literature

ROSKAMP MFG., INC.
2167 Rush-Medon Rd.
Rush, New York 14543

Check here
Stationary Feed Processing Center
Portable Ear Corn Mill
Portable Grain Roller Mill
Silage Roller Mill
Have representative call or stop in

Name _____
R R or Box No _____
City _____ State _____
Zip _____ Phone _____

REGIONAL SALES MANAGER

Lou Shuba
716-533-2237

PENNSYLVANIA

Barrett Equipment Co.
Smicksburg, Pa.
814-257-8881

Clapper Farm Equip., Inc.
Alexandria, Pa.
814-669-4465

Fred Crivellaro
Easton, Pa.
215-258-7584

Tom Dunlap
Jersey Shore, Pa.
717-398-1391

Erb & Henry
New Berlinville, Pa.
215-367-2169

Fickes Silo Co.
Box 7
Newville, Pa. 17241
717-776-3129

Harclerode's Dairymen
Specialty Co.
New Paris, Pa.
814-839-2790

S.G. Lewis & Son, Inc.
West Grove, Pa.
215-869-9440

R.T. Markle
Farm Equip., Inc.
State College, Pa.
814-237-3141

Marshall Machinery, Inc.
Honesdale, Pa.
717-729-7117

MKS Enterprises, Inc.
Hanover, Pa.
717-637-2214

Northeast Equipment Co.
Northeast, Pa.
814-725-1888

North Penn Sealstor
Bloomsburg, Pa.
717-387-1422

Atlee Rebert
Littletown, Pa.
717-359-5863

Rovendale Supply
Watsonstown, Pa.
717-538-5521

Sollenberger Silos Corp.
Chambersburg, Pa.
717-264-9588

Stouffer Bros., Inc.
Chambersburg, Pa.
717-263-8424

Swope & Bashore, Inc.
Myerstown, Pa.
717-933-4138

Tam Agri Corp.
Dillsburg, Pa.
717-432-9738

Terre Hill Silo Co., Inc.
Terre Hill, Pa.
215-445-6736

Uniontown Farm Equipment
Uniontown, Pa.
412-437-9851

MARYLAND

Arnett's Garage
RR 9 Box 125
Hagerstown, Md. 21740
301-733-0515

P & S Equipment, Inc.
Street, Md.
301-452-8521

Tri-State Farm Automation
Hagerstown, Md.
301-790-3698

NEW JERSEY

Andover Tractor &
Equipment, Inc.
Andover, NJ
201-786-5525

BROOKHILL EQUIPMENT & SUPPLY CO.

Pittstown, NJ
201-735-4142

NEW YORK

Sharon Springs Garage, Inc.
Sharon Springs, NY
518-284-2346

WEST VIRGINIA

Ed Lipscomb's Equip.
Egion, WV
304-735-5239