



Lebanon County DHIA Monthly Report

January, 1984

OWNER	BREED	NO. COWS	% DAYS IN MILK	LBS MILK	LBS FAT
Willow Maple Farm	3	43 5	90 9	21 480	780
Raymon & Marlin Getz	3	58 9	84 8	19 022	726
Roy E Nolt	B3	51 9	85 1	19,977	725
Dale Hostetter & Sons	3	90 5	85 6	18 030	711
Elvin Martin	B3	54 4	87 3	19 895	703
Conewago View Farms	B3	71 4	87 7	18 729	698
Marvin Myers & Sons	B3	102 2	90 0	18,046	697
Hoover Farms	3	83 3	86 4	18 243	696
Donald G Hoffer	B3	43 1	87 1	18 518	691
Arnold Acres	3	114 7	87 5	18 457	688
Robert Martin	B3	51 5	85 6	18,439	688
Mark Bomberger&Son	B3	80 4	88 8	19 039	686
Mervin W Horst	B3	41 2	87 5	19 007	686
Gary Lentz	3	69 8	85 4	18 756	683
Kenneth Mase	B3	91 0	87 1	18 121	682
Eugene R Houser	3	30 8	88 5	17 795	680
M Luther Bennetch	G3	71 1	86 9	17 057	679
Lentzdale Farms	B3	75 9	87 5	18,352	679
Fort Zeller Farm	B3	48 4	86 8	18 170	679
Roy H Weaver	3	57 3	87 7	19,062	678
Richard L Heilinger	B5	17 9	87 5	15 950	677
Kirby L Horst	3	45 2	86 6	17 950	676
Dauid Brandt	3	72 0	88 6	18 551	673
Gary Mase	B3	30 9	80 8	18 239	667
Marlin D Heisey	B3	41 0	86 2	18 431	664
Marlin M High	G3	43 7	84 8	18 670	659
John Brubaker	B3	47 9	89 6	18 550	659
Dennis Wampler	B3	88 9	88 1	18 576	658
Harvey T Bomgardner	3	92 7	85 6	17 494	658
Ronald Kelchner	B3	61 7	84 5	18,623	655
Walter K Heisey	B3	54 1	87 0	18 260	653
Reuben O Martin	B3	67 2	86 7	18 529	652
Phil Haven Farm	3	100 9	89 9	18 169	651
Isaac E Zimmerman	3	22 5	87 7	16 381	651
Phares Z Musser	3	87 4	87 0	16 364	649
Robert B Smith	2	67 1	86 1	13,582	647
Daniel B Shirk	3	36 2	87 7	17 529	646
Arthur R Krall & Son	3	66 2	87 0	17 676	644

Ernest P Detweiler	B3	55 6	82 8	18,664	644
Earl Smith	3	39 4	88 5	16 945	643
Irvin Z Brubaker	B3	47 0	86 5	18,088	643
Eugene Martin	B3	89 8	86 2	17 321	642
Hershey Bare	3	87 4	86 6	16 785	638
Richard&Ronald Shirk	3	79 5	86 9	16 554	637
Vincent A Wagner	3	46 3	86 0	17 755	636
Melvin M Nolt	B3	52 2	86 3	16 967	634
Hoover Farms No 2	B3	53 9	85 8	17 512	634
Bucher Brothers	B3	39 4	83 8	18,507	632
Lloyd Burkholder Jr	B3	54 0	84 4	18 157	631
Lester Martin	B3	56 8	90 0	16 750	629
Mark C Patches	B3	94 5	87 2	15 911	628
Ferndale Farms	3	84 1	83 2	16,615	628
Wernerway Farms	B3	125 6	85 9	17 187	626
San Bo Holsteins	3	78 0	83 4	16 844	624
Enos N Leinbach	3	31 0	92 2	17 040	623
Richard L Heilinger	B3	24 3	86 1	17 189	622
Gideon A Fisher Jr	G3	31 9	85 8	17,969	617
Lloyd S Newswanger	B3	73 8	83 7	17,719	617
Wilmer S Reiff	B3	61 4	86 7	17,355	616
Richard Batz	3	28 7	89 0	17 814	614
Glen R Martin	B3	23 6	82 4	17,940	613
Leon M Burkholder	B3	42 5	88 3	16,341	608
Sonnen Acres Farm#1	B3	120 6	83 1	16 504	608
Ernest Wagner	3	39 2	87 7	17,217	607
Sonnen Acres	B3	126 9	83 0	16,441	605
Raymond K Martin	B3	51 0	84 2	17 363	604
Sonnen Acres Farm#2	B3	123 2	82 9	16,341	602
Clyde E Deck	B3	71 9	85 4	16 438	602
Rufus H Martin	B3	39 8	84 5	16 514	602
Moses O Martin	B3	66 9	87 7	17 167	602
Jesse L Weaver	B3	48 6	87 2	16 924	601
James & Pamela Berry	B3	51 1	88 9	16 397	600

CENTRE COUNTY DHIA January Report

OWNER	NO. COWS	% DAYS IN MILK	LBS. MILK	LBS. FAT
Richard Trinca	50	86 9	20 865	802
Joseph Hartle Jr	72	87 5	21,447	794
Stringers Sand Ridge	65	86 8	19,507	776
L Thomas Musser	45	88 8	19,377	771
Richard&James Graham	103	86 6	20 971	770
Evan&Ricky Homan	59	86 8	20,534	760
Paul Hartle	37	87 4	20,166	757
Jay Houser	59	88 6	20,909	752
Jesse&Mary Burkholder	42	87 2	20,677	735
Pond Dale Farms	72	88 7	19 214	719
Paul Vonada	58	88 2	18,119	719
James Houtz	50	86 4	19 150	718
Glenn&Robin Gorrell	43	86 2	18,558	707
Daniel&William Boob	72	88 0	18 274	705
James&Susan Howes	46	87 1	18,350	701
Bruce Ulmer	58	89 5	19,193	700
Rodney Reese	98	88 6	18,724	694
John Ishler	67	88 3	18,465	693

Reesebrooke Farms	117	85 4	17 807	689
Dave&Cecelia Houser	52	85 9	17,743	673
Thomas Boldin	62	86 7	18 042	672
Thomas&Sherry Craig	60	87 2	19 139	663
George&Ron Zimmerman	34	88 5	17,411	661
Carl Gates	40	84 4	17 841	658
Mingo Meadow Farms	57	87 8	18 146	657
Lynn&Margaret Neer	96	79 7	17 504	652
Barry Kerstetter	69	88 3	17 651	651

denotes 3 times a day milking

The ten high individual cow actual production records in D H I A produced on a two times a day milking in 305 days or less (unless otherwise indicated) were in the following herds

Valley Wide Farm	21 967	4 8	1065
Pond Dale Farms	27 871	3 8	1055
L Thomas Musser	23 993	4 4	1055
Joseph Hartle Jr	27 946	3 7	1047
Joseph Hartle Jr	25,830	4 0	1037
James&Susan Howes	26 590	3 8	1023
Jay Houser	23 875	4 1	985
Josh Devinney&Son	24,537	4 0	977
Joseph Hartle Jr	23,428	4 1	963
Stringers Sand Ridge	18 500	5 2	956

The high goat herd for the month was
Sinking Springs Farm 5 7 4 1

LUZERNE COUNTY DHIA December, 1983

Rolling Herd Average

Robert Hough	RH	53 6	87 4	17,583	661
Pecora Bros	R&GrH	159 1	87 7	18,077	636
Wm Dagostin&Son	R&GrH	111 5	83 5	17 753	631
D & D Moyer	R&GrH	57 5	86 0	16 194	603

Cows Finishing Their Lactation Period Over 700 Lbs Butterfat And/Or Protein

Hillside Farms Inc					
319 75	RH	9 1	305	22,222	4 2 934
Rose	RH	4 11	305	19,410	4 5 883
515 76	RH	3 7	305	18 867	4 0 753
Fred Shultz					
Raquel	RH	5 2	279	18 867	4 0 759
Ursala	RH	2 11	305	21 605	3 7 798
P Larock & Sons					
Joy	RH	6 10	305	17 955	4 2 746
Benny	RH	5 9	305	19 183	4 1 794
Snow	RH	4 11	305	17 125	4 4 747
Candy	RH	0 0	305	15 788	4 7 744
Wm Dagostin & Son					
45	RH	5 11	305	21 816	3 8 837
Robert Hough					
Star L14	RH	6 7	261	18 287	4 2 775
Pecora Bros					
85 1491	RH	7 2	287	20 728	3 6 736
1561694	RH	2 3	305	19 061	3 7 705
Welliver Bros					
284	RH	4 6	305	17 971	4 1 733

FRANK A. FILLIPPO, INC.

— WANTED —

DISABLED & CRIPPLED COWS, BULLS & STEERS

Competitive Prices Paid

Slaughtered under government inspection

Call:
Frank Fillippo -
Residence - 215-666-0725
Elam Ginder - 717-367-3824
C.L. King - 717-786-7229

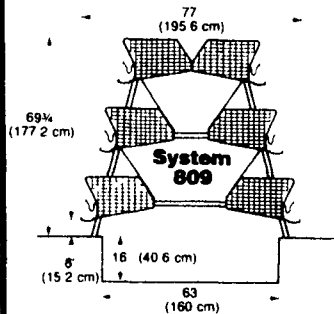
FARMER BOY AG, INC.

Distributor For
DIAMOND POULTRY SYSTEMS

Farmington, Michigan

Diamond Systems

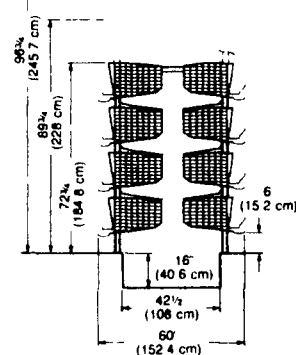
2- and 3-High Modified Stair-Step Cage Layer Systems



Exclusive Contour Cage gives birds more room

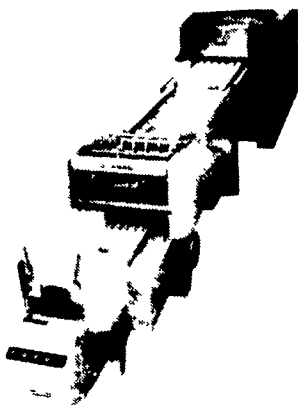
Diamond Systems

New 4-5-6- High Stacked Layer Cage Systems



The Best Equipment for converting old poultry houses to maximum density

For Egg Packing You Can Bank On Us.
Diamond Automation's FARMPACKERS are... Eggscellent!



New Diamond Systems 3-High Starter-Grower

SALES & SERVICE For Buildings And Equipment

CALL

IRVIN HORST LARRY HORST
Office (717) 866-7565 Office (717) 866-7565
Home (717) 866-2815 Home (717) 949-3022

