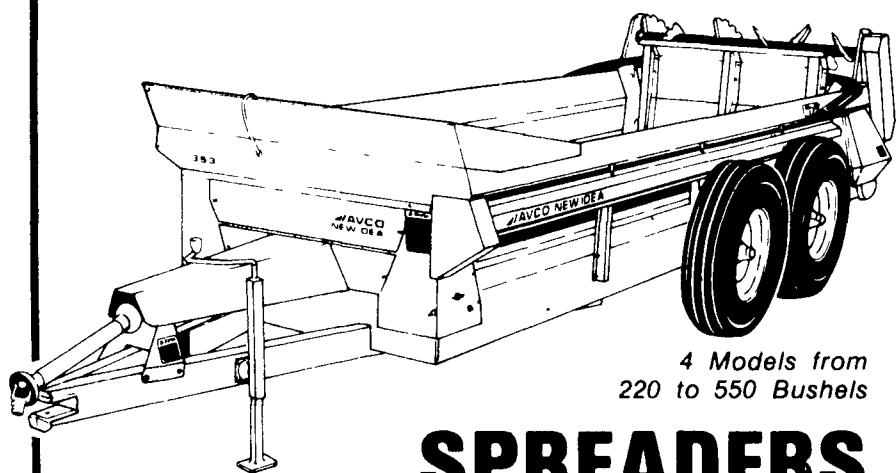


# AVCO NEW IDEA



4 Models from  
220 to 550 Bushels

## SPREADERS Heal Themselves

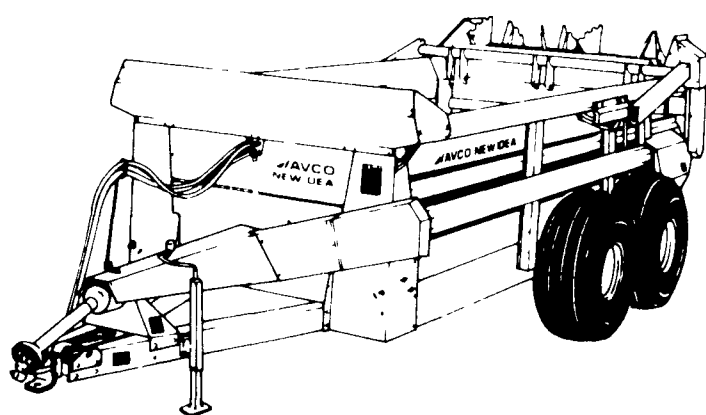
Scratch the painted metal surface of most spreaders and you have an "open wound" subject to corrosion and rust-through.

Scratch the galvanized surface of a New Idea spreader and the healing process of galvanic action begins. A layer of zinc oxide quickly forms to create a protective barrier.

Paint is a surface coating. Galvanizing bonds zinc into the steel electrochemically to protect up to **25 times better** than no coating at all...which is what you have when you scratch a painted metal surface.

This long-life spreader box protection is available only on the complete line of New Idea conveyor spreaders. It is another reason why you can rely on New Idea spreaders.

For more information on this "New Idea" in manure handling equipment, see us today!



## BIG FARMS NEED BIG MACHINES

- \* Hydraulic, worm gear conveyor drive
- \* Dual "positive lock" conveyors
- \* Thick ship-lap plank floor
- \* Galvanized, copper bearing steel sides (10-year warranty)
- \* Dual beaters

That's why New Idea offers the 15-ton/550-bushel model 355 spreader. This high-capacity machine dramatically reduces the per-ton cost of spreading manure. Ideal for large beef feed lots and dairy farms, the "355" is loaded with the long-life features and quality you expect from the company that invented the manure spreader in 1899... New Idea

See us soon for all the facts about the New Idea 550-bushel spreader

# AVCO NEW IDEA

## — SEE YOUR AVCO NEW IDEA DEALER TODAY —

### PENNSYLVANIA

Airville  
FARMERS EQ. & SUPPLY CO., INC.  
717 862 3967 or 3968

Bechtelsville  
MILLER EQUIPMENT  
215 845 2911

Bethel  
ZIMMERMAN'S FARM SERVICE  
717 933-4114

Canton  
WYNNE'S GARAGE  
717 673 8456

Carlisle  
ERNEST SHOVER  
FARM EQUIPMENT  
19 West South St  
717 249 2239

Cochranville  
STOLTZFUS FARM SERVICE  
215 593 2407

Cresson  
HINES EQUIPMENT  
814 886 4183

Bellwood  
814 742 8171

Dover  
GEORGE N. GROSS, INC.  
717 292 1673

Ephrata  
ROY H. BUCH, INC.  
RD2  
717 859 2441

Gettysburg  
YINGLING'S IMPLEMENTS  
717 359 4848

Greencastle  
MEYERS IMPLEMENTS, INC.  
717-597-2176

Hamburg  
SHARTLESVILLE  
FARM SERVICE  
RD1  
215 488 1025  
H Daniel Wenger, Prop

Honesdale  
MARSHALL MACHINERY  
717 729 7117

Jersey Shore  
THOMAS L. DUNLAP  
717 398 1391

Jerseytown  
WILLIAM F. WELLIVER  
717 437 2430

Jonestown  
HEISEY FARM EQUIP. INC.  
RD 1  
717 865 4526

Klingerstown  
STANLEY S. FARM SERVICE  
717 648 2088

Lancaster  
LANDIS BROS. INC.  
717 291 1046

Lebanon (Fontana)  
UMBERGERS MILL  
RD 4  
717 867 5161

Mahaffey  
HUTTON FARM EQUIPMENT  
814 277 5504

Manheim  
N G. HERSHEY AND SON  
717 665 2271

Maxatawny  
N H. FLICKER & SONS, INC.  
215 683 7252

Mill Hill  
DUNKLE AND GRIEB  
717 726 3115

New Holland  
A B C. GROFF, INC.  
717 354 4191

Oakland Mills  
PEOPLES SALES & SERVICE, INC.  
717 463 2735

Quakertown  
C J. WONSIDLER BROS.  
215 536 1935

Quarryville  
A L. HERR & BRO.  
717 786 3521

Reynoldsville  
McGARVEY EQUIP., INC.  
814 653 9637

Somerset  
SUMMIT MACHINERY, INC.  
814 445 2528

Spring Mills  
C & P. FULTZ EQUIPMENT  
RD 1  
814 422 8805

State College  
R T. MARKLE  
1841 Pine Hall Drive  
814 237 3141

Tunkhannock  
ACE JURISTA, INC.  
717 836 2610

### MARYLAND

Chestertown  
KINGS TOWN TRACTOR  
301-778-1640

Churchville  
WALTER G. COALE, INC.  
301 734 7722

Frederick  
KNOTT & GEISBERT, INC.  
RD 2  
301 662 3800

Hagerstown  
ANTIETAM FORD TRACTOR  
301 791 1200

Linboro  
WERTZ GARAGE, INC.  
301 374 2672

Rising Sun  
BIGGS, INC.  
301 658 5531

### NEW JERSEY

Bridgeton  
LESLIE FOGG INC.  
609 935 5145

Columbus  
REED BROS. EQUIPMENT  
609 298 3441

Flemington  
JOHN M. SAUMS & SONS  
201 782 4242