

Livestock market and auction news

Lancaster Feeder Cattle

Friday, January 27
Report supplied by USDA

Today	179
Last Friday	109
Last Year	150

TREND: Trend not comparable because of small supply in recent weeks. Supply included 110 head in graded sale.

FEEDER STEERS

MEDIUM FRAME 1: Three lots 520-720 lb. 64.00-64.25.
SMALL AND MEDIUM FRAME 1: One lot 366 lb. 70.00.
MEDIUM FRAME 1-2: One lot 810 lb. 54.75.
MEDIUM AND LARGE FRAME 1-2: One lot 855 lb. 57.00.
MEDIUM AND LARGE FRAME 2 HOLSTEINS: One lot 590 lb. 44.25.
LARGE FRAME 2 HOLSTEINS: One lot 765 lb. 37.50.
FEEDER HEIFERS
MEDIUM FRAME 1: One lot 750 lb. 50.00.
SMALL AND MEDIUM FRAME 1: One lot 530 lb. 54.00.

Greencastle Livestock

Greencastle, Pa.
Monday, Jan. 30
Report supplied by auction

CATTLE: Butcher Steers - Choice 67.00-71.00; Medium-Good 51.50-67.00; Butcher Heifers - Choice 65.00-70.00; Medium-Good 45.00-65.50; Butcher Bulls - Medium-Good 44.50-62.10; Stock Steers - Medium-Good up to 65.50; Stock Heifers, Medium-Good up to 54.50.
CALVES: Medium-Good Calves 160-220 lbs. 80.00-95.00; 125-160 lbs. 65.00-85.00; 100-120 lbs. 55.00-70.00; 80-100 lbs. 50.00-60.00; Holstein Bull Calves up to 102.00; Holstein Heifer

Calves up to 83.00; Light and Green Calves down to 30.00.
HOGS: Good-Choice Butcher Hogs 190-225 lbs. 48.00-51.00; 225-250 lbs. 51.00-51.50; Good Choice Butcher Sows 400 lbs., down up to 44.50; 400 lbs., up, up to 46.00; Heavy Boars up to 34.25; Pigs, per head 8.00-29.00.

Penns Valley Livestock

Centre Hall, Pa.
Tuesday, January 31
Report supplied by auction

Beef Cows: Utility and Commercial 38.75-44.10; Cutters 35.25-38.50; Canners 31.50-34.75; Shells 22.00.
Heifers: Good 52.60-55.70; Standard 49.50-51.00; Commercial 42.00-47.25.
Steers: Good 63.00-64.50; Good 54.50-58.50; Standard 48.00-52.00.
Bulls: Good 52.50-55.80; Standard 43.50-49.50.
Feeder Cattle: 300-500 lbs. large frame 50.00-56.00; 300-500 lbs. small frame 38.00-44.00; 500-700 lbs. large frame 42.00-46.00; 500-700 lbs. small frame 38.00-47.00.
Veal Calves: Choice 83.00-95.00; Good 68.00-82.00; Standard 56.00-67.00; Utility 43.00-55.00.
Farm Calves: Bulls 85.00-100.00; Heifers 58.00-68.00.
Hogs: 48.75-50.25.
Sows: 37.50-41.00.
Lambs: 45.00-62.00.
Sheep: 8.00-15.00

Omaha Cattle

Thursday, February 2
Report supplied by USDA

CATTLE For the second consecutive week sharp declines in wholesale beef levels pushed feed Steer and Heifer prices downward

with closing trades standing 150-200 lower than last week Overall finish considered to be the poorest in some time Most offerings carried some degree of mud Cows and Bulls fully steady on decreased supplies

Estimated 5 day Receipts 9200, actuals last week 10824 and last year 7397 Steers comprised 46 pct of the week's receipts; Heifers 38 pct, Cows 10 pct; Feeders 5 pct

SLAUGHTER STEERS
Scattered loads and part loads Choice 2-4 1050-1250 lbs 67.00-69.00 Mixed Good and Choice 2-3 1000-1150 lbs 65.00-67.50 Few Good 63.00-65.00. Mixed Good and Choice 2-3 1150-1300 lbs Holsteins 58.00-60.00

SLAUGHTER HEIFERS
Scattered loads and part loads Choice 2-4 950-1075 lbs 65.50-67.00 Choice 2-3 875-950 lbs 64.00-65.50 Mixed Good and Choice 2-3 900-1000 lbs 63.00-65.00 Good 60.00-63.00

Average of 1S 214 detailed quotations for 900-1100 lb Choice Steers 67.45; 1100-1300 lbs 69.00. Average Cows Steers 67.27, average weight 1114 lbs; as compared 68.76 and 1123 lbs a week ago Average cost Heifers 66.28, average weight 995 lbs as compared 66.96 and 990 lbs a week ago

COWS Breaking Utility and Commercial 2-3 36.50-38.50, few high dressing to 40.00 Cutter and boning Utility 1-2 34.00-37.00 Canner and low Cutter 30.00-34.00

BULLS 1-2 1100-1800 lbs 43.00-48.00

Valley Livestock

Valley Stockyards
Athens, Pa.
Monday, January 30
Report supplied by auction

Holstein Hfr. Calves to 60.00;

Veal Calves medium kind to 82.00; Vealer Bull Calves 75.00-116.00; Slaughter Calves 50.00-55.00; Grassers & Feeders 34.00-42.00; Lambs 45.00-60.50; Sheep 12.00-24.00; Hogs, 200 to 250 45.00-49.50; Sows 33.00-37.50; Boars 25.00-33.00; Pigs 10.00-30.00; Heifers 36.00-39.25; Steers medium 40.00-44.00; Steers, feeder 34.00-48.00; Bulls no good Bulk to 43.00; Cows, utility 39.00-42.25; Cows, fat 37.50-41.00; Cows, poor or small 28.00-32.00;

Cattle Market steady; Calf Market higher; Horses small to 180.00; Ponies none; Goats 20.00-57.50; Hay 85.00 per ton.

Now is the Time

(Continued from Page A10)

be avoided.. for example when handling dry bedding, sweeping dusty walls or walks or grinding and mixing feed.

Keeping the overall level of dust down is also helpful. Therefore as soon as feed sacks or chemical containers are emptied they should be discarded. Regular housecleaning of work areas is another good idea. Not only will the area look better... you'll feel better without all that dust in your lungs.

To Correct Drainage Problems
The recent quick thaw provided a good chance to observe the water drainage problems around many homes and farmsteads. If surface water drained into farm buildings or into homes, then something should be done about it soon. Surface water should be directed away from buildings by way of terraces or diversion ditches.

Water should not be permitted to flow down against buildings from upgrade. This will weaken the structure and wash soil away from the foundation. Water that seeps into a building from underground is a different problem and more difficult to control.

However, the surface water can be directed around and away from farm buildings. Also, the area around wells should be protected from surface water contamination. Water from feedlots and barnyards should not be allowed to flow directly into streams; pastures or holding areas will prevent the possibility of pollution.

Farm Calendar

(Continued from Page A10)

McKean County 4-H County Council, Extension Center, Smethport, 7:30 p.m.
McKean-Potter Farmers Assn., 8 p.m., Extension Center, Smethport.
Thursday, Feb. 9
Manor Young Farmers, 7:30 p.m., Penn Manor Ag classroom, session on selecting dairy sires using new summaries.
Delmarva Corn and Soybean Conference, wicomico Youth & Civic Center, Salisbury, Md.
Gypsy Moth meeting, 7 p.m., Townsend Fire Hall.
Lancaster Extension Association annual meeting, 6:45 p.m., Farm and Home Center.
Atlantic Breeders Co-op, North Lancaster 1, Blue Ball Fire Hall, 7 p.m.
Hunterdon County, N.J. beef meeting, 8 p.m., Extension Center.
Luzerne County tax meeting, 7:30 p.m., Northwest High School.
Friday, Feb. 10
Cumberland County Extension and Atlantic Dairy Day, 10 a.m., Penn Twp. Fire Hall, Huntsdale.
Fayette County Dairy Day, 10 a.m., Waltersbury Off Fellows Hall.
Delaware swine meeting, 9 a.m., Georgetown substation.

ROSKAMP: THE ROLLER MILL SPECIALISTS

The Portable Roller Mill

1 DUST COLLECTOR ELIMINATED

- A Greatly reduces feed loss from flour & fines
- B Reduces respiratory problems in animals
- C Reduces dust in confinement facilities
- D Improves feed palatability
- E Reduces bridging in bins & feeders
- F Helps improve butterfat test
- G Helps to reduce ulcers in hogs

2 SELF-CONTAINED HYDRAULIC DRIVE

- A Operates in feed & unloading augers
- B Eliminates hose coupler problems and hydraulic fluid contamination
- C Convenient to use with any 540 PTO tractor
- D No drive shafts, gear boxes or bevel gears

ADD OVER 46 YEARS OF ROSKAMP EXPERIENCE IN GRAIN PROCESSING FOR FEED MILLS AND FARMS AROUND THE WORLD, TO YOUR FARM.

3 EAR CORN CRUSHER

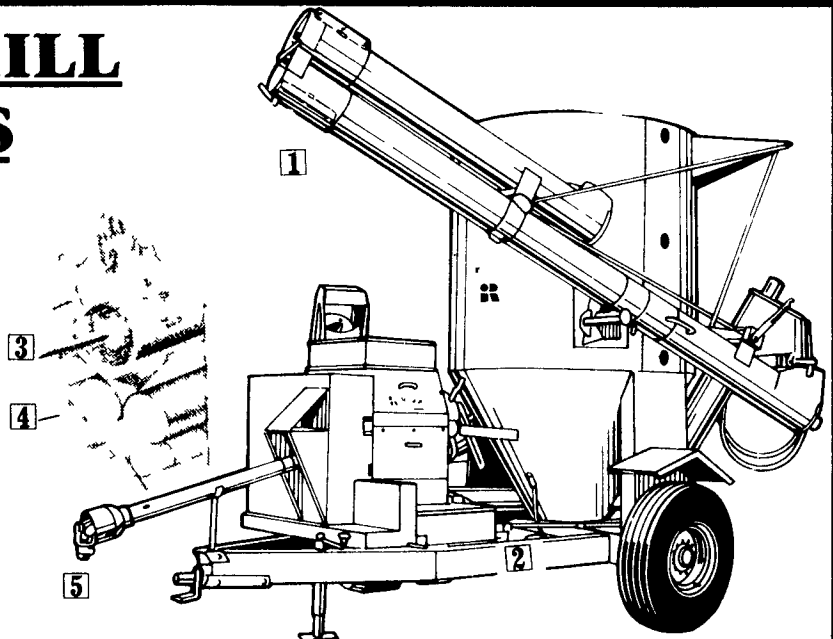
- A Whole kernels pass through screen after being shelled from the cob
- B Cob is reduced to uniform size by forcing it through the screen (no grinding)
- C All husks are shredded to small pieces that won't wrap or cause bridging. An asset in automatic feeders
- D No knives to get dull, sharpen or replace

4 SOLID WHITE IRON ROLLS

- A Rolls turn at the same speed (regardless of moisture content) to reduce flour & fines
- B Rolls are self cleaning at any moisture because of the metal and shape of the corrugations
- C Rolls can be recorrugated (after considerable usage) many times very economically
- D All grain is crushed not shredded or ground as occurs when one roll turns faster than the other. Process small grain and compare
- E Used in feed mills in over 40 countries around the world
- F Low maintenance cost & quiet operating V-belt drive

5 ENERGY EFFICIENT

- A Low horsepower requirements (30-50 hp) for high capacity
- B University research proves an average of 10% better feed conversion
- C High capacity & low horsepower to fill silo with high moisture ear corn



Phone or Send for Free Literature

ROSKAMP MFG., INC.
2167 Rush-Medon Rd
Rush, New York 14543

Check here	Name	
Stationary Feed Processing Center	RR or Box No	
Portable Ear Corn Mill	City	State
Portable Grain Roller Mill	Zip	Phone
Silage Roller Mill		
Have representative call or stop in		

REGIONAL SALES MANAGER

Lou Shuba
716-533-2237

PENNSYLVANIA

Barrett Equipment Co.
Smicksburg, Pa
814-257-8881

Clapper Farm Equip., Inc.
Alexandria, Pa
814-669-4465

Fred Crivellaro
Easton, Pa
215-258-7584

Tom Dunlap
Jersey Shore, Pa
717-398-1391

Erb & Henry
New Berlinville, Pa
215-367-2169

Fickes Silo Co.
Box 7
Newville, Pa 17241
717-776-3129

Harclerode's Dairymen Specialty Co.
New Paris, Pa
814-839-2790

S.G. Lewis & Son, Inc.
West Grove, Pa
215-869-9440

R.T. Markle Farm Equip., Inc.
State College, Pa
814-237-3141

Marshall Machinery, Inc.
Honesdale, Pa
717-729-7117

MKS Enterprises, Inc.
Hanover, Pa
717-637-2214

Northeast Equipment Co.
Northeast, Pa
814-725-1888

North Penn Sealstor
Bloomsburg, Pa
717-387-1422

Atlee Rebert
Littlestown, Pa
717-359-5863

Rovendale Supply
Watsonstown, Pa
717-538-5521

Sollenberger Silos Corp.
Chambersburg, Pa
717-264-9588

Stouffer Bros., Inc.
Chambersburg, Pa
717-263-8424

Swope & Bashore, Inc.
Myerstown, Pa
717-933-4138

Tam Agri Corp.
Dillsburg, Pa
717-432-9738

Terre Hill Silo Co., Inc.
Terre Hill, Pa
215-445-6736

Uniontown Farm Equipment
Uniontown, Pa
412-437-9851

MARYLAND

Arnett's Garage
RR 9 Box 125
Hagerstown, Md. 21740
301-733-0515

F & S Equipment, Inc.
Street, Md
301-452-8521

Tri-State Farm Automation
Hagerstown, Md
301-790-3698

NEW JERSEY

Andover Tractor & Equipment, Inc.
Andover, NJ
201-786-5525

Brookhill Equipment & Supply Co.
Pittstown, NJ
201-735-4142

NEW YORK

Sharon Springs Garage, Inc.
Sharon Springs, NY
518-284-2346

Willsey Farm Center
Tully, NY
315-696-5163

WEST VIRGINIA

Ed Lipscomb's Equip.
Egion, WV
304-735-5239