

YOUR BEST DEALS ON FARM EQUIPMENT
WHITE TAG SPECIALS

Now! Get our lowest prices on selected new International tractors and equipment

Come in and see what we've "tagged" for best buys!

Offers expire January 31, 1984, and is subject to equipment availability.



WHITE TAG SPECIALS

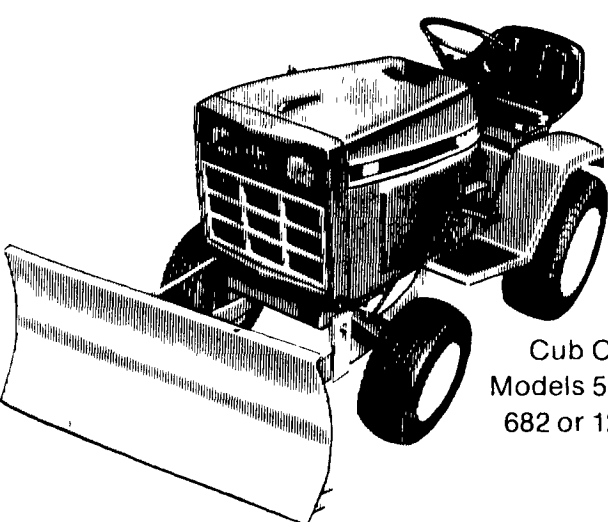
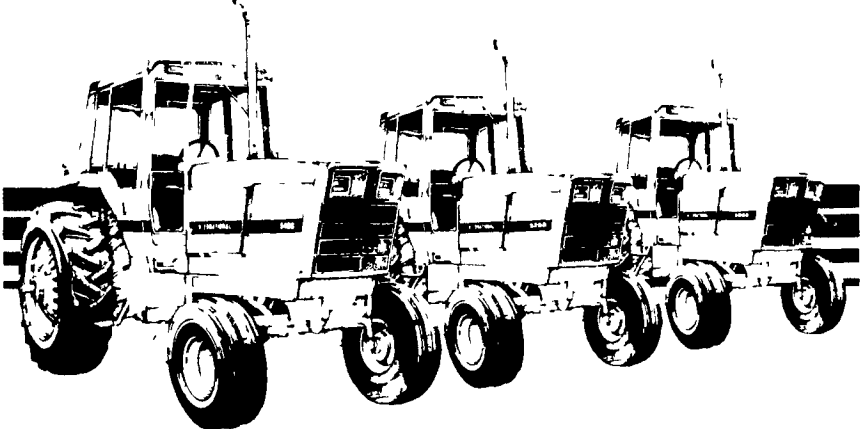
* Extra 4% On These Items to January 31, 1984

- 584 Row Crop
- 3288 Tractor w/ROPS
- 5088 Tractor, Demo
- 445T Balers w/15 Thrower
- 56 Blowers
- 6010 Consertill 10 ft.
- 1190 Mower Conditioner 7 ft.
- 4500 Vibra Shank 12.5 Ft. to 18.5 Ft.
- 5100 Grain Drill 18x7 Plain
- 5100 Grain Drill 13x7 Comb.
- 496 D/H 19'1"
- 370 D/H 12'8"
- 475 D/H 19'1"
- 10 Flail Chopper
- 781 Forage Harvesters w/ Hay Pickup & Row Units
- 943 Corn Head 4 Row, 30 In.
- 800 Planters, 4 Row, Air
- 720 Plow, 5F 20"
- 730 Plow 4F Adj. Width
- 540 Spreader
- 560 Spreader
- 575 Spreader
- 595 Spreader

Prices Will Never Be Lower On These Items. And, In Addition To Our Lowest Prices And The White Tag Discounts, Most Items Are Eligible For:
 Waiver Of Finance (Or Cash Option)

- Tractors TO 3/1/84
- Material Handling TO 3/1/84
- Soil Preparation TO 3/1/84
- Planting TO 5/1/84
- Grain Harvest TO 6/1/84
- Hay Equipment TO 6/1/84
- Corn Harvest TO 9/1/84

Call or Stop In For All The Details



Cub Cadet Tractor Models 582, 582 Special, 682 or 1282 with Blade

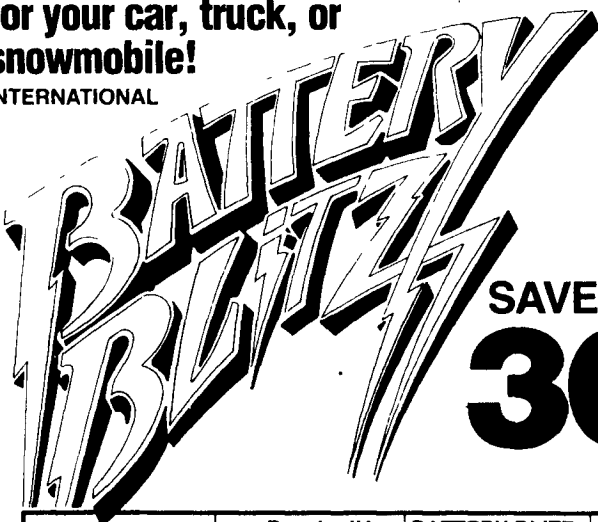
NEW LEFT OVER CUB CADETS

282 8 hp gear w/mower or blade 582 Special w/mower or blade

582 Cadet w/mower or blade

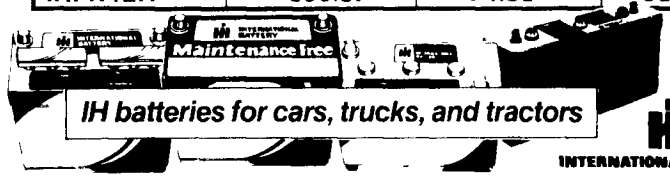
Get a fast start now. We've got an IH battery for your car, truck, or snowmobile!

PARTS VALUE OF THE MONTH



SAVE UP TO **30%** off regular IH suggested list price

Battery	Regular IH Suggested Price	BATTERY BLITZ Price	Your Total SAVINGS
IHPRLU	52.35	36.81	15.54
IHCM24	65.76	46.25	19.51
IHPF27	63.48	44.65	18.83
IHHC30	94.44	69.94	24.50
IHPRT	57.49	37.24	20.25
IHCH2	80.23	56.43	23.80
IHCM3	73.87	51.93	21.92
IHPR3EH	91.00	64.00	27.00
IHPR4EH	106.37	74.81	31.56



IH batteries for cars, trucks, and tractors

INTERNATIONAL HARVESTER

Also: Buy A Tractor In January, And Get A Trip To England, Or Cash.

FEBRUARY SERVICE SPECIAL.

10% CASH DISCOUNT

On All Service Jobs Scheduled In Our Shop During February

• Includes Parts, Labor And Transportation •

CALL DELMAR STAUFFER FOR AN APPOINTMENT

USED EQUIP.

- Tractors**
- Farmall 806 D Tractor
 - Farmall H Cab for 966 or 1066
 - IH F966D
 - IH F766G
 - IH F460D
 - IH F400D
 - IH F1466D
 - IH Hydro 86D
 - Ford 860
 - JD 2440 w/Loader
 - JD 400 w/Loader & Backhoe
 - MF 65D w/Loader
 - MF 1105D
 - AC WD 45
 - JD 1010
 - IH 234D

- Spreaders**
- NH 214 Spreader
 - Stoltzfus Fert Spreader
 - Hawk Built 187 Spreader

- Plows**
- Lely Power Harrow
 - JD 314 Plow
 - IH 211 Plow
 - IH 312 Plow
 - IH 311 Plow
 - IH 411 Plow
 - IH 560 Plow
 - Oliver 2F Trail Plow
 - JD 314 Plow
 - IH 450 Plow
 - IH 550 Plow
 - IH 531 Plow
 - Case 4F 16"

- Combines**
- SP IH, Model 204 Corn & Grain
 - SP IH #91
 - SP MF #35
 - MF 510 w/43 Corn-head

- Miscellaneous**
- NI 245 Spreader
 - Dunham 22 Loader

USED EQUIP.

- Tillage**
- IH Vibra Shank, 3 pt
 - IH Vibra Shank Trail Dunham 10'
 - Cultimulcher
 - Brillion Spring Tooth
 - IH #24 Offset Disc
 - IH 122 3 pt 8' Disc
 - IH 500 Disc, 15'

- Lawn & Garden Tractors**
- IH 1200 Cadet w/44 Mower
 - IH 125 Cadet w/Mower
 - IH 122 Cadet w/Mower
 - IH 60 Riding Mower
 - Wheelhorse 12 HP w/Mower
 - MF 12 Hydra Speed w/Mower
 - MF 7 w/mower
 - Snapper Comet
 - AC 1310 w/Equip.
 - JD 110 w/Mower & Snow Blower

USED EQUIP.

- Planters**
- IH 400 Cyclo 6R
 - IH 400 Cyclo 4R
 - JD 1250 6R
 - IH 6200 Press Wheel Grain Drill
 - Ontario 13x7
 - JD 393A 4R
 - IH 449 4R
 - IH 56 4R
 - JD FBB Drill 15x7

- Forage Equip.**
- JD 34 Harvester
 - JD #6 For Harvester
 - IH 830 Harvester w/3-Row Cornhead & Hay Pickup
 - IH #46 Baler
 - JD #14T Baler
 - NH #40 Rake
 - NH 23 Blower
 - IH 990 Mow. Cond
 - IH 440 Baler & Thrower

- Skid Loaders**
- Bobcat 543
 - Bobcat 700
 - IH 3200
 - Case 1740D

* Waiver of Finance Available On Most Used Equip. To Credit Qualified Buyers Visa, Master Card, IHCC Financing, Bank Financing. We Ship UPS or Mail Daily!

Swope & Bashore, Inc.

OPEN MONDAY TO FRIDAY 7 AM To 5 PM
 SATURDAY 7 AM To 11:30 AM

RD 1, Myerstown, Pa.
 Located 1 Mile S. of Int. 78 & 6 Miles N. of Myerstown on Rt. 645 in Frystown
 PHONE: 717-933-4138

Area Codes 215 & 717 Call Toll Free 1-800-692-7467

Announcing Our 1984 OPEN HOUSE & SALES DAYS!

Coming Feb. 13 to 18, 1984 8 AM to 5 PM

Parts, Service, Sales Specials, Food, Displays, Demonstrations