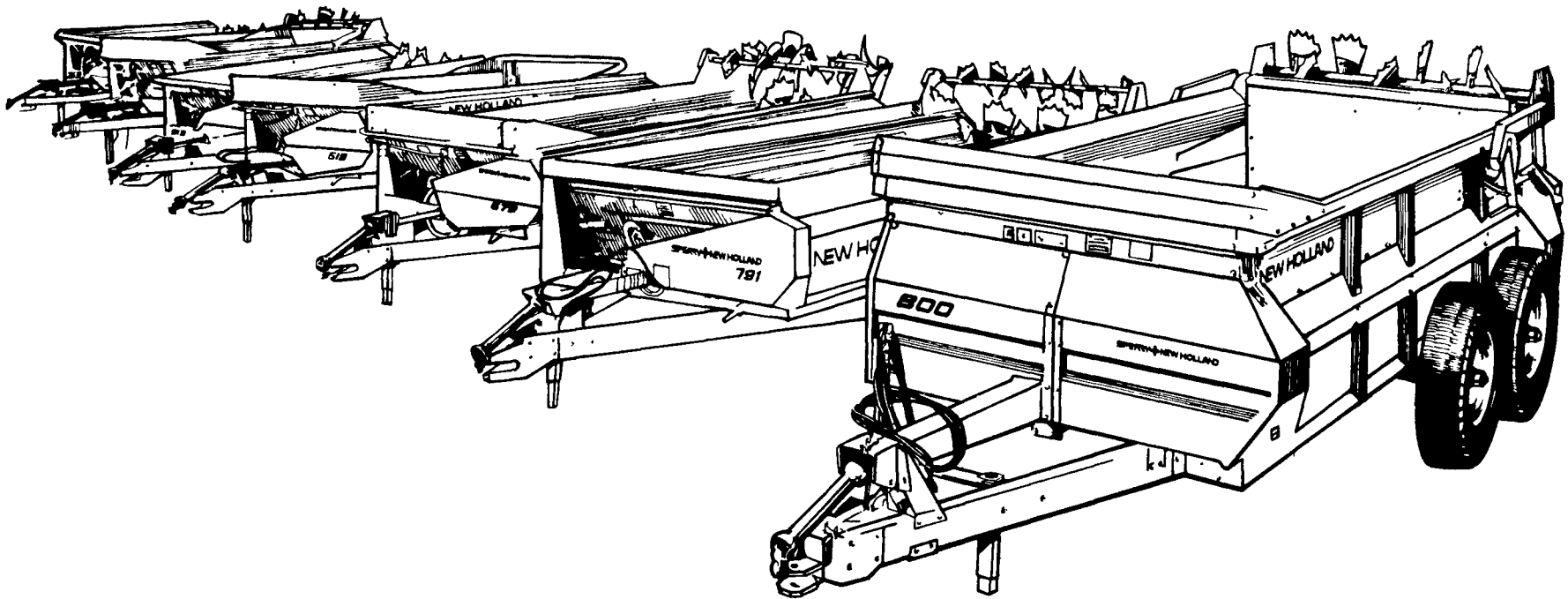




HOW'S THAT OLD SPREADER HOLDING OUT THIS WINTER?

IF ITS ABOUT WORN OUT OR NOT DOING THE JOB, WHY NOT STOP AT YOUR SPERRY NEW HOLLAND DEALER AND TAKE A LOOK AT HIS LINE UP OF BOX SPREADERS. HE'S GOT MODELS FROM 100 TO 500 BU. ALL WITH GUARANTEED SIDES. ALSO 100 LOAD LUBRICATION AND WORM GEAR DRIVE ON MOST MODELS. MANY OPTIONS ARE ALSO AVAILABLE SUCH AS UPPER BEATERS, LIQUID END GATES AND FINE MANURE PANS. STOP AND SEE YOUR SPERRY NEW HOLLAND DEALER TODAY.



Spread 8 1/4 tons in less than 2 minutes.



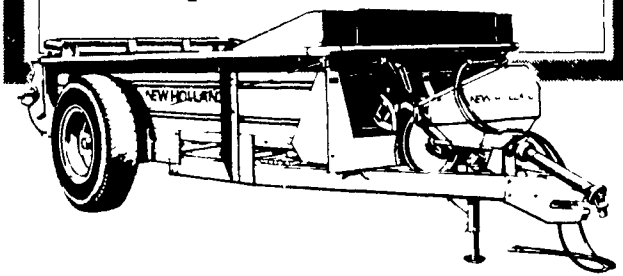
Take a big step up in spreaders to the big Sperry New Holland Model 791. It's big on capacity (360 bu. per trip). It's big on strength with reinforced sides and frame. It's big in value, promising years of dependable service. Ask us about Bonded Protection.

CHOOSE THE FINANCE PLAN TO FIT YOUR NEEDS

1. WAIVER OF FINANCE TO APRIL 1, 1984
2. CASH DISCOUNTS IN LIEU OF SNH FINANCING
3. LOW FINANCE RATES FOR ONE, TWO OR THREE YEAR CONTRACTS.

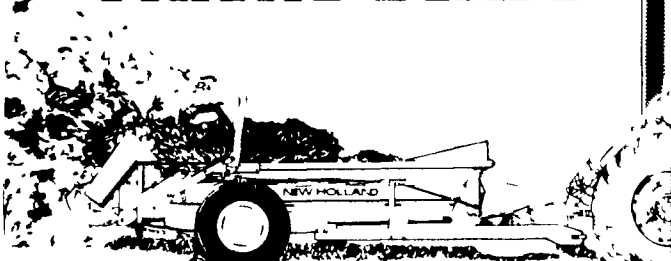


Who gives you new sides free on a used spreader?



Sperry New Holland does, if the old sides ever rust through during the useful life of the spreader. That's **BONDED PROTECTION** — good for every owner, from first to last. And nobody else offers that! You get more value when you buy. More value when you sell. And peace of mind while you own! Come in and look over our selection of Sperry New Holland Strong-boxes.

STRONG-BOXES



Hard-to-hurt sides are backed by a hard-to-beat guarantee on all Sperry New Holland box spreaders. Bonded Protection gives you new sides free if they ever rust through while the rest of the spreader is still operational. Applies to any owner, not just the original buyer. You can choose from seven models of Strong-boxes, with capacities ranging from 108 to 510 bushels.