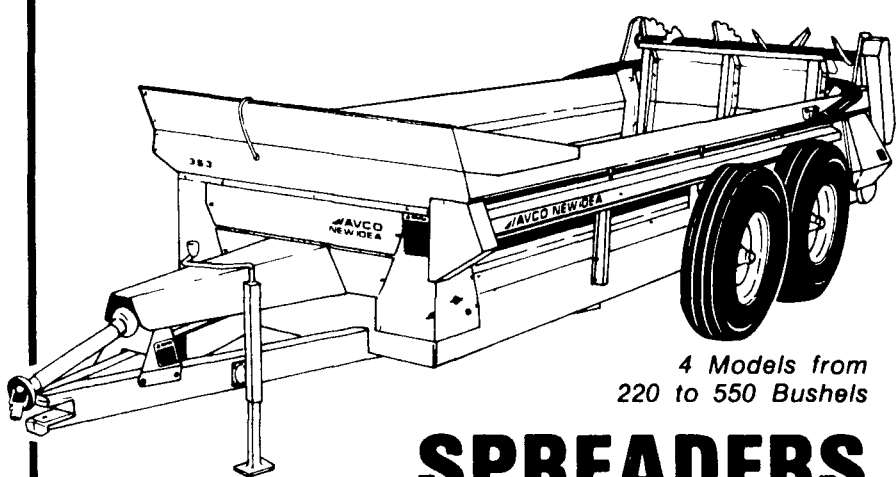


AVCO NEW IDEA



4 Models from
220 to 550 Bushels

SPREADERS Heal Themselves

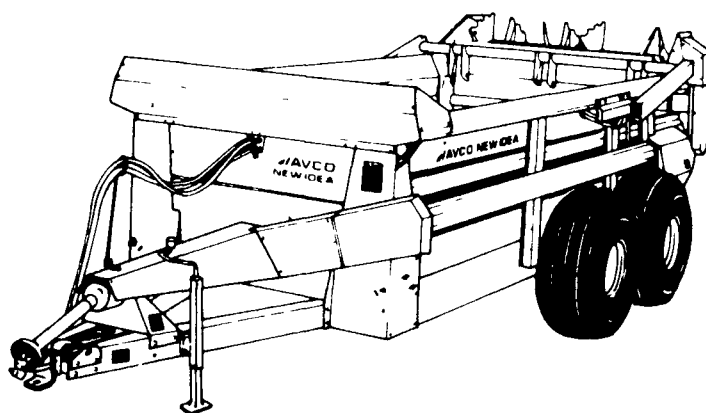
Scratch the painted metal surface of most spreaders and you have an "open wound" subject to corrosion and rust-through.

Scratch the galvanized surface of a New Idea spreader and the healing process of galvanic action begins. A layer of zinc oxide quickly forms to create a protective barrier.

Paint is a surface coating. Galvanizing bonds zinc into the steel electrochemically to protect up to **25 times better** than no coating at all... which is what you have when you scratch a painted metal surface.

This long-life spreader box protection is available only on the complete line of New Idea conveyor spreaders. It is another reason why you can rely on New Idea spreaders.

For more information on this "New Idea" in manure handling equipment, see us today!



BIG FARMS NEED BIG MACHINES

- * Hydraulic, worm gear conveyor drive
- * Dual "positive lock" conveyors
- * Thick ship-lap plank floor
- * Galvanized, copper bearing steel sides (10-year warranty)
- * Dual beaters

That's why New Idea offers the 15-ton/550-bushel model 355 spreader. This high-capacity machine dramatically reduces the per-ton cost of spreading manure. Ideal for large beef feed lots and dairy farms, the "355" is loaded with the long-life features and quality you expect from the company that invented the manure spreader in 1899... New Idea.

See us soon for all the facts about the New Idea 550-bushel spreader.

AVCO NEW IDEA

— SEE YOUR AVCO NEW IDEA DEALER TODAY —

PENNSYLVANIA

Airville
FARMERS EQ. & SUPPLY CO., INC.
717 862 3967 or 3968

Ephrata
ROY H BUCH, INC
RD2
717 859 2441

Kingertown
STANLEY'S FARM SERVICE
717 648 2088

Oakland Mills
PEOPLES SALES & SERVICE, INC
717 463 2735

Chestertown
KINGS TOWN TRACTOR
301-778-1640

Bechtelsville
MILLER EQUIPMENT
215 845 2911

Gettysburg
YINGLING'S IMPLEMENTS
717 359 4848

Lancaster
LANDIS BROS. INC
717 291 1046

Quakertown
C J WONSIDLER BROS
215 536 1935

Churchville
WALTER G COALE, INC
301 734 7722

Bethel
ZIMMERMAN'S FARM SERVICE
717 933-4114

Greencastle
MEYERS IMPLEMENTS, INC.
717-597-2176

Lebanon (Fontana)
UMBERGERS MILL
RD 4
717 867 5161

Quarryville
A L HERR & BRO
717 786 3521

Frederick
KNOTT & GEISBERT, INC
RD 2
301 662 3800

Canton
WYNNE'S GARAGE
717 673 8456

Hamburg
SHARTLESVILLE
FARM SERVICE
RD1
215 488 1025
H. Daniel Wenger, Prop

Mahaffey
HUTTON FARM EQUIPMENT
814 277 5504

Reynoldsville
McGARVEY EQUIP., INC
814 653 9637

Linboro
WERTZ GARAGE, INC
301 374 2672

Carlisle
ERNEST SHOVER
FARM EQUIPMENT
19 West South St
717 249 2239

Honesdale
MARSHALL MACHINERY
717 729 7117

Manheim
N G HERSHEY AND SON
717 665 2271

Somerset
SUMMIT MACHINERY, INC
814 445 2528

Rising Sun
BIGGS, INC.
301 658 5531

Cochranville
STOLTZFUS FARM SERVICE
215 593 2407

Jersey Shore
THOMAS L DUNLAP
717 398 1391

Maxatawny
N H FLICKER & SONS, INC
215 683 7252

Spring Mills
C & P FULTZ EQUIPMENT
RD 1
814 422 8805

NEW JERSEY

Bridgeton
LESLIE FOGG INC
609 935 5145

Cresson
HINES EQUIPMENT
814 886 4183

Jerseytown
WILLIAM F WELLIVER
717 437 2430

Mill Hill
DUNKLE AND GRIEB
717 726 3115

State College
R T MARKLE
1841 Pine Hall Drive
814 237 3141

Columbus
REED BROS EQUIPMENT
609 298 3441

Dover
GEORGE N GROSS, INC
717 292 1673

Jonestown
HEISEY FARM EQUIP., INC
RD 1
717 865 4526

New Holland
A B C GROFF, INC
717 354 4191

Tunkhannock
ACE JURISTA, INC
717 836 2610

Flemington
JOHN M SAUMS & SONS
201 782 4242