



**FORD 5000 Diesel with Cab**

8 speed transmission, 8-front end weights, 2-front wheel weights, 4 rear wheel weights, 18.4-30 rear tires

Priced at **\$6,900**

**717-859-3118**

**FOR SALE**

**1972 FORD 2000 TRACTOR**

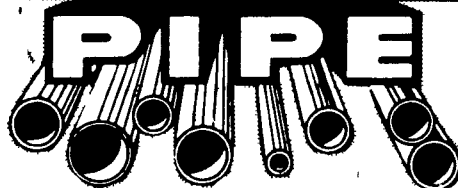
w/Turf Tires, Real Sharp

**\$3500**

**215-756-6611**

**H. SCHWARTZ & SONS, INC.**

NOW SERVING THE STATE OF DELAWARE DIRECTLY FROM WILMINGTON!



NEW, USED and RECONDITIONED PIPE  
STANDARD EXTRA & DOUBLE EXTRA HEAVY ALL SCHEDULES ALL TYPES FABRICATION THREADING CUTTING - WELDING

121 SO. MARKET ST. - WILMINGTON 19801  
302-656-0276 or 215-DE1-4240

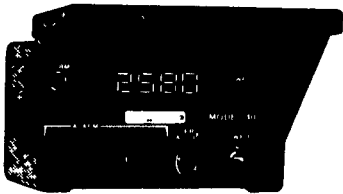
(New)  
NH #311 Baler  
w/75 Thrower,  
Demonstrator  
**\$7340**  
Cash Price for Jan.

Case 1830 Skid  
Loader  
**\$6900**

**PAUL SHOVER'S INC.**  
35 E Willow Street  
Carlisle, PA  
**717-243-2686**

**The Farm Show's Over... But The Good Buys Continue At BINKLEY & HURST BROS., INC.**

**FARM SCALE FOR GRINDER MIXERS AND MIXER WAGONS by Weigh-Tronix**



Fits All New Models And Many Older Models. Call For Special Price

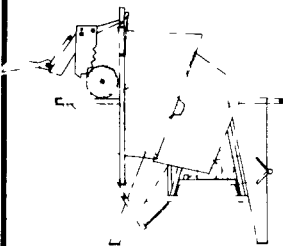
A WEIGH-TRONIX Electronic Scale Can Pay For Itself On Your Farm

- Ends ration mixing guesswork.
- Weighs accurate rations to livestock.
- Weighs livestock, too.



**PLATFORM TRUCK SCALES**  
Also Available

**SPECIAL NEW 3 PT. HOOKUP SAW BUCK**



Most Models Are Priced Over \$800

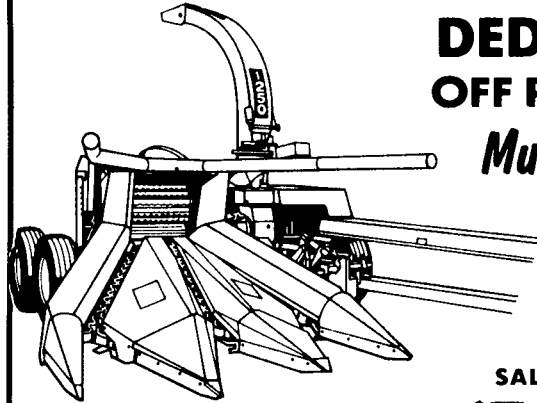
OUR PRICE ONLY **\$450**

**BRAND NEW ROUND BALER SPECIAL**

**USED GEHL 1200 HARVESTER**

**DEDUCT 35% OFF PRICE BELOW**

**Must Move Now!**



Completely Serviced & Field Ready,  
• 1000 RPM, Hyd. Controls, Hyd. Knife Sharpener (Less Header)

SALE PRICE

**\$7,800**

Remember Deduct 35%  
This machine designed to handle from 90 HP up to 225 HP. A Real Power Saver with Capacity to handle 2 or 3 row headers.

**DEDUCT 35% OFF PRICE BELOW**

**Only One More Week Left To Save \$1000's of \$\$\$**

**NEW MODEL 8440 GRAIN DRYER**

400 Bu., Equipped With Grain Cleaner, Swinging Loader Hopper

Batch Dry High Moisture Grain at one of the Lowest Cost per Bushel figures in the industry.

Morige Dryers offer:

- Low Initial Investment cost
- Reduced Labor Costs
- Drying at Half the Per Bushel Cost of some dryers
- Portability, Rather Than Just Movability
- High Quality, Fully Dried Grain

**\$10,689**

Remember, DEDUCT 35%



Fully Qualified For ASCS Loan

**SPECIAL OFFER**

**15% OFF**

**On A New Case 1835 Diesel Unloader**

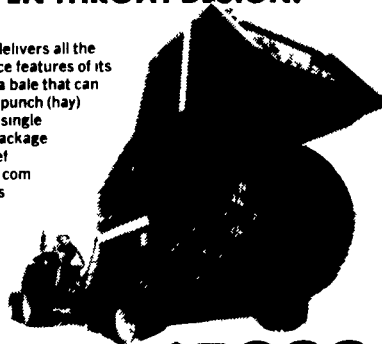


Serial # 9857830

34 H.P.

**Buy A NEW ROUND BALER For The Price Of A Good Used Baler OPEN THROAT DESIGN!**

The Model 875 delivers all the solid performance features of its big brother and a bale that can pack a 1 000 lb punch (hay) All wrapped in a single easy to handle package for dairy and beef operations. This compact baler makes 15 to 25 bales per hour



\$8000 Value For Only

**\$5900**

ONE ONLY

**SPECIAL - BRAND NEW DEMONSTRATOR DIESEL POWER!**

**New World Class Leader**

**GEHL 4610 DIESEL One Only Serial #3195**



**New 4610 Diesel Features:**

Easy service tilt cab, side console controls, low operating height, 44 HP Perkins Diesel water-cooled engine, 10:00x16.5 tires, large 65" wide material bucket. Waiver of Finance

One Only Serial #3123

No Payments Till April 1, 1984 w/30% Down Payment

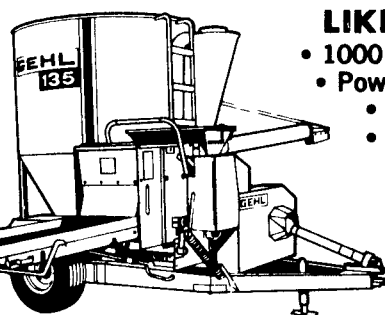
Factory List Price w/Freight ..... \$18,611.37

Our Regular Price ..... \$15,516.00

**YOUR SPECIAL DISCOUNT SALE PRICE ONLY \$14,800.00**

A New World Class Leader Is Waiting For You Now!

SAVE \$\$\$ One Only



**LIKE NEW GEHL 135 MIX ALL**

- 1000 RPM • Analog Scales
  - Power Bale Feeder
  - 12.5x15 Tires
  - Small Grain Auger Extension
- This Mill Was Never Used

List Price \$15,000

YOUR SPECIAL DISC. PRICE

**ONLY \$6,975**

**BINKLEY & HURST BROS., INC.**

133 Rothsville Station Rd.

Lititz, PA 17543

PH: (717) 626-4705

Business Hours: Mon.-Fri. 7AM - 5 PM; Sat. 7 AM - 11:30 AM

