

SALISBURY, Md. — The 1984 Delmarva Pork Congress will take place Jan. 18 and 19 at the Wicomico Youth and Civic Center in Salisbury, Md.

The session on Wednesday evening, Jan. 18, will start at 7 p.m. and is designed for the benefit of small scale or part time producers who cannot attend Thursday's day-long session. Featured speakers will be Maryland extension swine specialist Tom Hartsock, talking on "Basic Management for swine Production"; and Ronald Harrison, commercial producer, on "Upgrading Your Herd Through Proper Selection." Harrison runs a 500-sow farrow-to-finish operation in Pennsylvania.

The session Thursday, Jan. 19, will include a trade show open from 9 a.m. to 4 p.m. At 10 a.m. Dr. J.D. Hottel, senior livestock veterinarian for Central Soya, will present a talk on "The Importance of Setting Up a Sound Herd Health Program."

At 1 p.m., following a lunch break, University of Delaware

livestock researcher Richard Chapple will discuss "Alternative Energy Sources for Swine Rations." In the wake of the high corn market he will offer advice on the use of barley and other corn substitutes.

Next, Michigan State University swine nutritionist Elwyn Miller, will talk about "What to Look for in a Vitamin-Mineral Premix." This presentation will cover proper levels of vitamin and mineral supplements for swine in various stages of production.

The program will conclude with a presentation by Delaware extension livestock specialist Ken Kephart on "Buying and Using a Grinder-Mixer." He will discuss what to expect from these machines, and mistakes made in using them.

From 11:30 a.m. to 1 p.m. there will be a center cut pork chop lunch for those who have registered in advance. Tickets cost \$5 and may be purchased before the conference at county extension offices in Delaware and Maryland.

Tipper promotes milk

FARM SHOW — Stella Ebersole, a waitress at Dempsey's Restaurant on Eisenhower Boulevard, Harrisburg, received a \$20 tip from a "mystery tipper" Sunday, just by asking the question, "Would you like a glass of milk with your meal?"

This year, the friends of the dairy industry in cooperation with the Pennsylvania Restaurant Association and Pennsylvania

Department of Agriculture sponsored a special milk promotion for Farm Show Week. Members of the dairy-related organizations donated money for this promotion effort and dined at member restaurants of the Pennsylvania Restaurant Association. While dining, if their waitress or waiter asks, "Would you like a glass of milk with your meal?" that individual received a \$20 tip.

Septage meeting slated

GRANTVILLE — A Septage Treatment and Disposal Conference will be held March 28 and 29 at the Grantville Holiday Inn. As sponsor for the seminar, the Penn State Cooperative Extension Service urges septic tank pumps, sewage enforcement officers, waste management engineers and consultants, and local officials to attend.

The program will offer

Vegetable growers to meet

DOVER, Del. — The sixth annual meeting of the Delaware Vegetable Growers' and Potato Growers' associations will be held on Tuesday and Wednesday, Jan. 24 and 25 at the Sheraton Inn in Dover. The program both days will begin at 8:30 a.m. with registration, coffee and donuts, and a visit to exhibits.

The statewide event will include general sessions on production, management and marketing of fresh market crops plus special in-depth sessions for producers of potatoes and processing crops. The meeting is being sponsored by the University of Delaware Cooperative Extension Service in conjunction with the Delaware Vegetable growers' and Potato Growers' associations.

workshops on up-to-date methods for treating and disposing of septage. Primary topics include: lagoon storage and farmland disposal, liquid discharge to subsurface sand filters, treatment at wastewater plants, lime stabilization and land disposal, use of poorly drained soil, and requirements for obtaining land disposal permits.

Pennsylvania Department of Environmental Resources Secretary Nicholas DeBenedictis will be the featured speaker at the March 28 dinner. He will discuss DER's role as it affects septage management.

A \$25 registration fee includes the March 28 dinner and lunch the following day. To register or to receive additional information, contact Dauphin County Assistant Extension Agent Richard Fox: 75 S. Houcks Road, Suite 101, Harrisburg, 17109 or phone (717) 652-8460. Deadline for registration is March 15.

CCC loans at 10%

WASHINGTON, D.C. — Commodity and farm storage loans disbursed in January by the U.S. Department of Agriculture's Commodity Credit Corporation will carry a 10 percent interest rate, according to CCC Executive Vice President Everett Rank.

The new rate, up from 9-7/8 percent, reflects the interest rate charged by the U.S. Treasury in January, Rank said.

HENRY K. FISHER INC.
SANDBLASTING AND SPRAY PAINTING
Aerial Ladder Equipment
667 Hartman Station Rd.
Lancaster, PA
393-6530

Enjoy the AFFORDABLE security of STRONG, LONG-LASTING HIGH TENSILE FENCES by KENCOVE

Kencove prices are hard to beat! Order early for discount prices FREE GUIDE



Call these toll free numbers:
In PA, 800-442-6823 Outside PA, 800-245-6902
RD #1 Blairsville PA 15717
KENCOVE FARMS 412-459-8991
Master Card Visa The Fence Of The Future
UPS Delivery

FARMER BOY AG, INC.

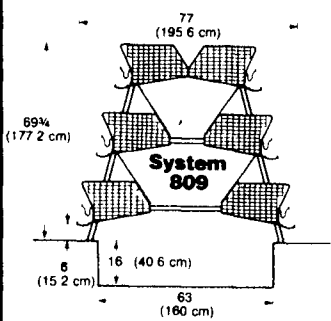


Distributor For
DIAMOND POULTRY SYSTEMS

Farmington, Michigan

Diamond Systems

2- and 3-High Modified Stair-Step Cage Layer Systems

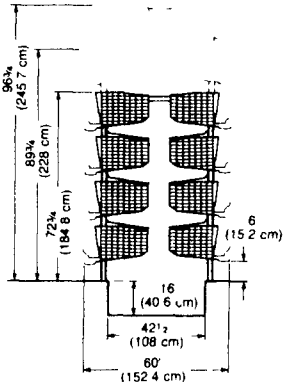


Exclusive Contour Cage gives birds more room

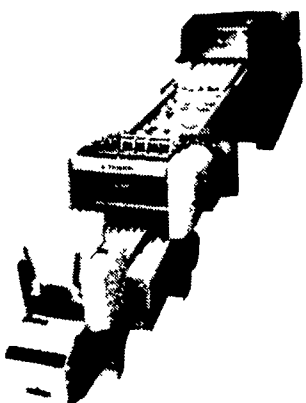
Diamond Systems

New 4-5-6- High Stacked Layer Cage Systems

The Best Equipment for converting old poultry houses to maximum density



For Egg Packing You Can Bank On Us.
Diamond Automation's FARMPACKERS are... Eggscellent!



New Diamond Systems 3-High Starter-Grower

SALES & SERVICE For Buildings And Equipment

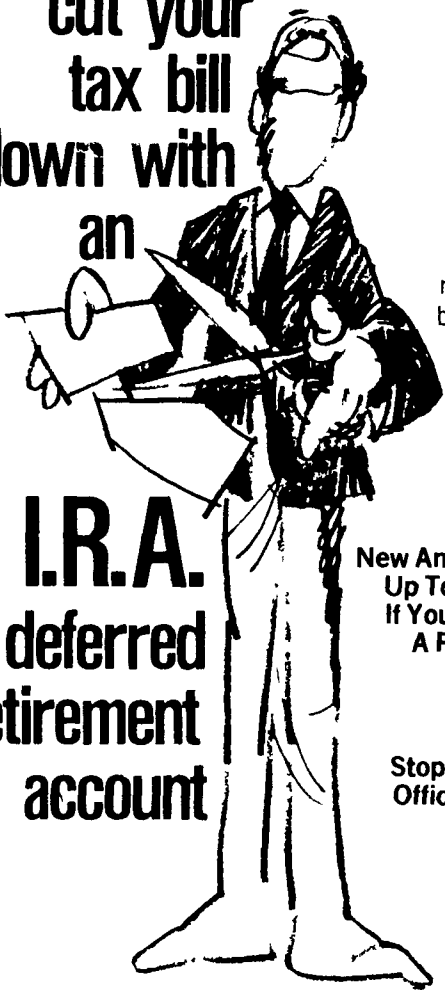
CALL

IRVIN HORST Office (717) 866-7565 Home (717) 866-2815
LARRY HORST Office (717) 866-7565 Home (717) 949-3022

SWINE & POULTRY SYSTEMS SPECIALISTS
FARMER BOY AG.
410 E. LINCOLN AVE. MYERSTOWN PA 17067 PH 717 866 7565
BEST IN DESIGN, PRICE AND EXPERIENCE

cut your tax bill down with an

I.R.A.
tax deferred retirement account



It's a clip in the right direction! The benefits of opening an IRA account now, pay off now and later!

New Annual Contribution Up To \$2000... Even If You Are Already In A Pension Plan!

Stop At Any Of Our Offices For Details



First Federal
SAVINGS AND LOAN ASSOCIATION OF LANCASTER



23 East King Street, Lancaster
Phone: 393-0601

61 East Town Mall, Lancaster
Phone 393-0488

335 Fifth St., Quarryville
Phone 786-1010

69 E. Man St., Lititz
Phone 626-0251

100 E. Main St. New Holland
Phone 354-4427

24 E. Main St. Mt. Joy
Phone 653-8121

5320 Main Street, East Petersburg
Phone 569-5793

519 A Leaman Ave. Millersville
Phone 872-4665

Park City Center, Lanc. (In Sears Mall)
Phone 299-3745

Accounts Insured To \$100,000 By F.S.L.I.C.