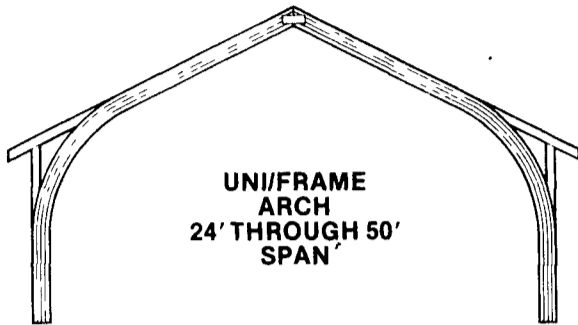


Rigidply Rafters, inc.

717-866-6581

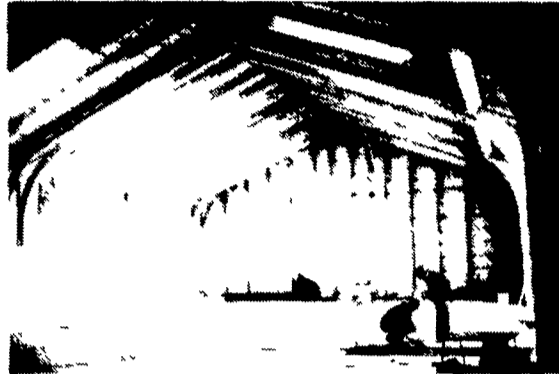
Richland, PA East Lincoln St. Box 189A 17087

OVER 25 YEARS OF QUALITY MATERIALS & SERVICE

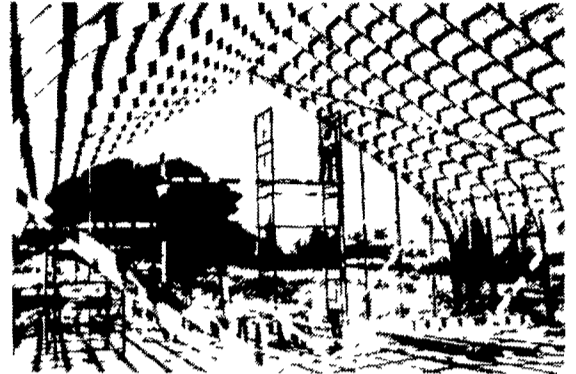


UNI/FRAME
ARCH
24' THROUGH 50'
SPAN

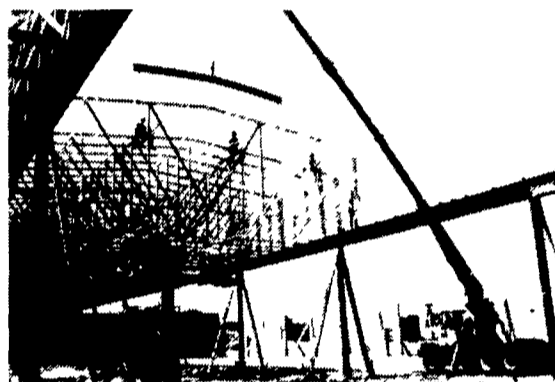
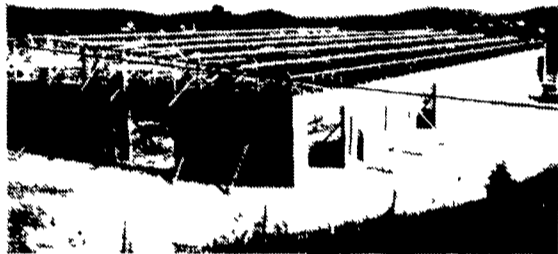
Straight Side Walls - 8' to 16'



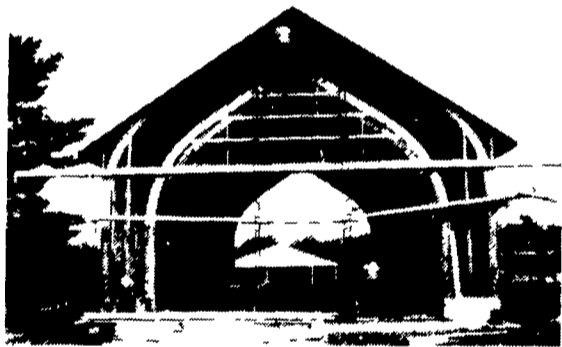
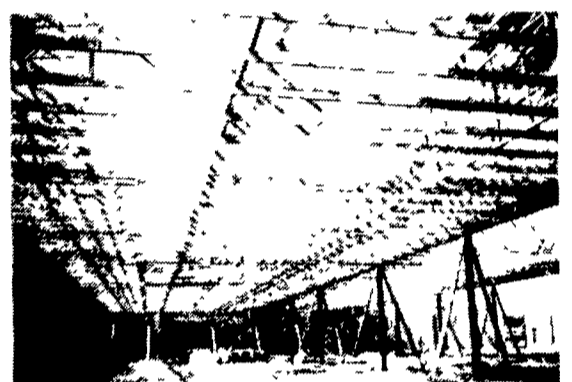
58'x100' Chester County



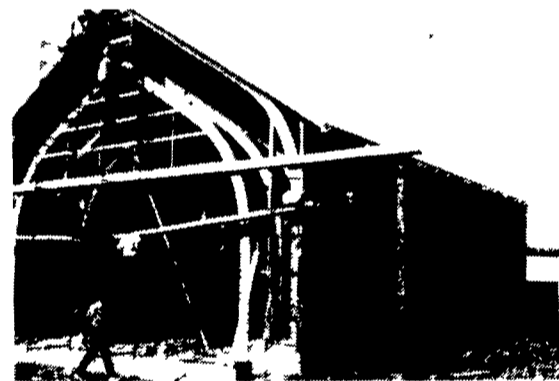
43'x68' Lancaster County



180'x250' Lancaster County



36'x64' Corn Crib



40'x100'

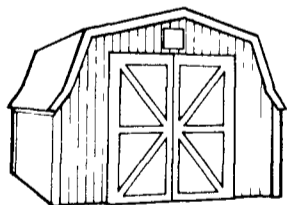
PRODUCTS WE MANUFACTURE AND STOCK

**FABRAL
CORPORATION**

ROOFING SIDING
& ACCES.



- * Laminated Archs & Beams
- * Lumber
- * Treated Timbers & Planking
- * T/G Flooring & Decking
- * Corn Crib Siding
- * Barn Siding
- * Mini Barns
- * Teckni Foam Insulation

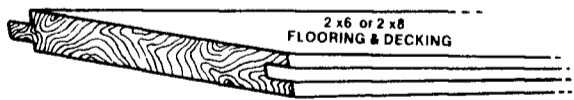


MINI BARNs

Various Sizes
& Colors to Choose From.

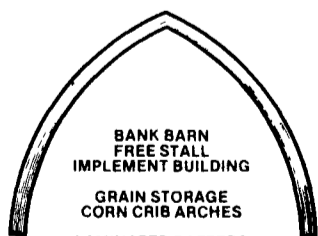


2 x 6 or 2 x 8
FLOORING & DECKING



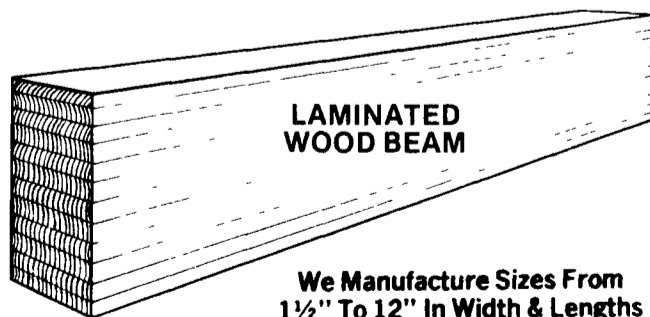
2 x 6 or 2 x 8
FLOORING & DECKING

We Make Our Own Siding
& Planking For Best Quality Control.



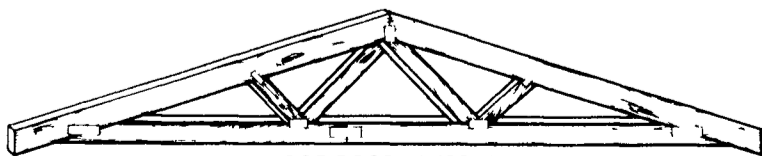
BANK BARN
FREE STALL
IMPLEMENT BUILDING
GRAIN STORAGE
CORN CRIB ARCHES
LAMINATED RAFTERS
CUSTOM BUILT—WILL MATCH

Sizes 36'-60' In Stock



LAMINATED
WOOD BEAM

We Manufacture Sizes From
1 1/2" To 12" In Width & Lengths
Up To 60'



WOOD ROOF TRUSSES

Engineered Wood Roof Trusses Of All Types

WE DELIVER
TO YOUR
JOB SITE
CRANE SERVICE

