

Livestock market

St. Louis Cattle

Thursday, December 8
Report supplied by USDA

Receipts This Week 5,400
Week Ago 5,800
Year Ago 5,400

Compared to last week, Slaughter Steers 2.00-2.50 lower. Slaughter Heifers mostly 1.50, instances 2.00 lower. Cows 3.00-4.00 lower. Bulls 2.00-3.00 lower. Slaughter supply mainly Choice and Mixed Choice and Prime Slaughter Steers, around 35% Heifers and 15% Cows. Steers, around 35% Heifers and 15% Cows.

SLAUGHTER STEERS: Mixed Choice and Prime 2-4 1050-1325 lbs. 60.00-60.50, load 60.75. Choice 2-4 950-1300 lbs. 58.50-60.00. Mixed Good and Choice 2-3 900-1225 lbs. 57.50-59.00. Good 2-3 900-1200 lbs. 55.50-57.50. Mostly Good 2-3 1100-1400 lb. Holsteins 48.00-53.00, part load 53.75. Couple lots Standard 2-3 950-1100 lbs. 42.75 and 43.00.

SLAUGHTER HEIFERS: Mixed Choice and Prime 2-4 900-1100 lbs. 58.50-59.00, package 59.25. Few lots 4-5 900-1125 lbs. 50.00-55.00. Choice 2-4 800-1075 lbs. 57.00-58.50. Mixed Good and Choice 2-3 800-1000 lbs. 55.00-57.00. Good 2-3 750-975 lbs. 52.00-55.00.

COWS: (Closing Week Sales) Breaking Utility and Commercial 2-4 32.00-34.00, early, closing 31.00-33.00. Cutter and Boning Utility 32.00-35.00 early, closing 31.00-34.00. High-Yielding Boning Utility 12 34.00-35.00, package 36.00 early, closing sales mostly 34.00. Canner and Low Cutter 1-2 27.00-31.00. Shelly Canner 1-2 23.00-27.00.

BULLS: YG 1-2 1100-1900 lbs 40.00-46.00, closing 40.00-44.00.

FEEDERS: (Including around 1,800 at the regular Thursday auction.) Feeder steers and heifers

under 600 lbs. 2.00-3.00 lower. Cattle over 600 lbs. weak to 1.00 lower. Supply mainly 300-500 lb. cattle. Steers 600 lbs. weak to 1.00 lower. Supply mainly 300-500 lb. cattle. Steers over 700 lbs. scrce. Overall quality of receipts not as good as a week ago.

FEEDER STEERS: Medium and Large Frame 1: 300-500 lbs. 58.00-64.00; 500-600 lbs. 56.50-60.50; One lot 512 lbs. 66.00; 600-700 lbs. 57.50-61.00; few 800-900 lbs. 53.00-56.00.

LARGE FRAME 2 HOLSTEINS: 600-1000 lbs. 38.00-41.00.

FEEDER HEIFERS: Medium and Large Frame 1: 300-500 lbs. 46.00-52.00; One Lot 413 lbs. 54.25; 500-700 lbs., 48.00-51.50; Few 600-700 lbs. 48.00-53.50; 700-800 lbs. 44.50-48.00.

Weekly Summary

Friday, December 9

Report supplied by PDA

Markets: 16.

CATTLE: 6559. Compared with 6408 head last week, and 6358 head a year ago. Compared with last week's market: Slaughter steers 1.00-2.00 lower; Sl. heifers steady to 3.00 lower; Sl. cows steady to 2.00 lower, but most decline from midweek on; Sl. bullocks strong to 2.00 higher; Sl. bulls steady to 2.00 lower. Sl. steers: (few) High Choice & Prime No. 3-4, 63.50-66.85; Choice NO. 2-4 59.00-63.50; Good 55.00-59.50; Standard 45.00-53.00. Sl. heifers: Choice 56.00-61.00; Good 50.00-57.00; Standard 44.00-52.00. Sl. cows: Utility & Commercial 33.75-39.75; Cutters 31.00-37.00; Canner & L. Cutter 28.00-34.00; Shells down to 18.00. Sl. bullocks: Choice 57.00-60.25; Good 54.00-57.00; Standard 45.00-50.00. Sl. bulls: Yield Grade No. 1, 1000-

2400 lbs. 44.00-52.75; Yield Grade No. 2, 900-1450 lbs. 40.00-48.00.

FEEDER CATTLE: Steers, Medium Frame No. 1, 300-600 lbs. 50.00-57.00; Large Frame No. 2 400-800 lbs. 34.00-45.00. Heifers, Medium Frame No. 1, 300-625 lbs. 42.00-55.00. Bulls, (Few) Medium Frame No. 1, 400-500 lbs. 52.00-60.75.

CALVES: 4906. Compared with 4812 head last week and 4680 head a year ago. Vealers steady, spots 2.00 higher. (few) Prime 96.00-121.00; Choice 85.00-100.00; Good 65.00-85.00; 110-130 lbs. 50.00-65.00; 90-110 lbs. 44.00-50.00; 65-90 lbs. 35.00-45.00; Utility 50-110 lbs. 34.00-40.00.

FARM CALVES: Hol. Bulls 90-130 lbs. 50.00-97.00, mostly 55.00-82.00; Hol. Heifers 90-140 lbs. 42.00-70.00, mostly 46.00-55.00.

HOGS: 7667. Compared with 6395 head last week and 7648 head a year ago. Barrows and gilts steady to 2.00 higher. US No. 1-2 200-245 lbs. 43.00-44.75 No. 1-3 200-250 lbs. 41.00-43.00; No. 2-3 200-285 lbs. 38.50-40.50; No. 1-3 140-190 lbs. 33.00-39.50; Sows 1.00-2.00 higher. US No. 1-3 300-585 lbs. 32.00-38.00; No. 2-3 300-650 lbs. 30.00-34.00. Boars 23.00-28.50.

FEEDER PIGS: 1830. Compared with 878 head last week and 1221 a year ago. Feeder pigs uneven. US No. 1-3 20-35 lbs. 7.50-15.00 per head; No. 1-3 35-50 lbs. 12.00-26.00; No. 1-3 50-85 lbs. 20.00-34.00.

3 GRADED FEEDER PIG SALES: 2599. Compared with 1750 head last week, and 3130 head a year ago. All sales by CWT. Feeder Pigs mostly strong to 12.00 higher. US No. 1-2 20-40 lbs. 67.00-95.00, 40-50 lbs. 64.00-86.00, 50-60 lbs. 59.00-74.00, 60-85 lbs. 46.00-57.00; US No. 2-3 30-40 lbs. 60.00-70.00, 40-50 lbs. 50.00-65.00, 50-65 lbs. 37.00-54.00.

SHEEP: 938. Compared with 631 head last week and 1162 head a year ago. Uneven, mostly steady to 2.00 higher. High Choice & Prime 70-110 lbs. 58.00-64.00, Choice 80-115

lbs. 50.00-58.00; Good 50-110 lbs. 35.00-50.00. Sl. ewes: 10.00-18.00, few down to 25.00.

Belknap Livestock

Dayton, Pa.

Wednesday, Dec. 7

Report Supplied by PDA

CATTLE 105. Compared with last Wednesday's market, slaughter cows \$5.00-\$6.00 lower. Few Standard slaughter steers 42.50-46.50. Low Standard slaughter heifers 41.50-45.50, few Utility 31.00-34.00. Utility & Commercial slaughter cows 31.75-33.75, Cutters 27.75-32.25, Canner & Low Cutter 22.50-28.00, Shells down to 10.50. Couple Yield Grade #1 1125 & 2190 lbs. slaughter bulls 45.00 & 46.00.

FEEDER CATTLE: Medium Frame #1 300-485 lbs. feeder steers 51.00-56.50, Large & Medium Frame #2 450-785 lbs. 34.00-45.00. Large Frame #2 Holstein heifers 275-440 lbs. 26.00-27.00.

CALVES 102. Couple Good Vealers 65.00 & 68.00, Standard & Good 90-110 lbs. 42.00-48.00, 60-85 lbs. 35.00-42.00, few Utility 60-115 lbs. 24.00-34.00.

FARM CALVES: Holstein Bulls 95-115 lbs. 52.00-70.00.

HOGS 158. Barrows and gilts \$1.50-\$2.00 higher. US No. 1-2 215-250 lbs. barrows & gilts 43.00-43.70, Lot 235 lbs. 44.00, No. 1-3 220-240 lbs. 41.00-42.75, No. 2-3 220-300 lbs. 37.75-40.50.

Indiana Livestock

Homer City, Pa.

Thursday, Dec. 8

Report Supplied by PDA

CATTLE 178. Compared with last week's market: Sl. cows 3.00-4.00 lower. Sl. steers: Standard 49.00-52.75. Sl. heifers: Choice 57.25-60.25; (few) Good 50.25-52.00; (few) Standard 44.00-48.50. Sl. cows: Utility & Commercial 33.00-36.00; Cutters 29.50-33.25; Canner & L. Cutter 25.00-30.00; Shells down to 18.00. Sl. bulls: Yield Grade No. 1 1100-1950 lbs. 45.00-47.75; Yield

Grade No. 2, 900-1400 lbs. 40.00-44.00. Heifers, Medium Frame No. 1, 400-500 lbs. 53.00-55.00. Bulls, Medium Frame No. 1, 400-550 lbs. 52.00-54.00.

CALVES: 177. (few) good 64.50-70.00; Standard & Good 90-120 lbs. 44.00-50.00; 60-85 lbs. 39.00-44.50; (few) Utility 50-70 lbs. 35.00-40.00.

FARM CALVES: Hol. Bulls 90-120 lbs. 55.00-91.00.

Belleville Livestock

Wednesday, Dec. 7

Report Supplied by PDA

CATTLE 143. Compared with last Wednesday's market, slaughter cows \$1.50-\$3.00 lower. Few Standard slaughter steers 43.50-51.25, few Utility 35.10-43.00. Few Standard slaughter heifers 47.50-52.75. Utility & Commercial slaughter cows 33.85-36.60, couple 37.25, Cutters 32.25-35.00, Canner & Low Cutter 28.50-32.25, Shells down to 22.00. Few Yield Grade #1 1100-1430 lbs. slaughter bulls 46.60-51.00.

CALVES 198. One Choice vealer 86.00, few Good 66.00-77.00, Standard & Good 70-100 lbs. 39.00-50.00, Utility 60-90 lbs. 30.00-40.00.

FARM CALVES: Holstein Bulls 90-125 lbs. 60.00-97.00, mostly 70.00-92.00, few down to 50.00.

HOGS 252. Barrows and gilts \$3.00-\$3.50 higher. US No. 1-2 210-245 lbs. barrows & gilts 43.75-45.00, No. 1-3 210-265 lbs. 42.50-44.50, No. 2-3 Lot 325 lbs. 37.25.

SOWS US No. 1-3 300-630 lbs. sows 32.00-36.00, couple 38.25, few Medium 175-400 lbs. 30.50-32.00.

BOARS 23.50-35.00.

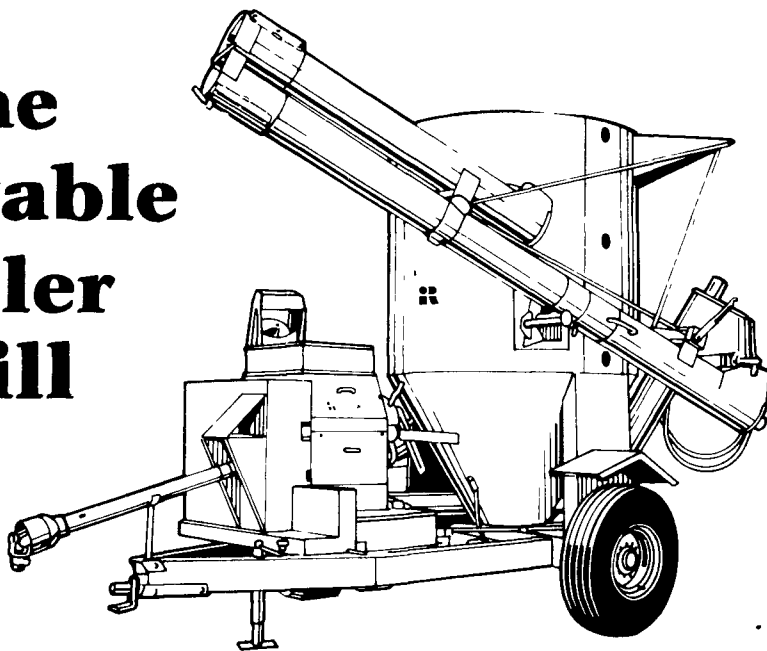
FEEDER PIGS 205. US No. 1-3 20-35 lbs. feeder pigs 8.50-12.50 per head, No. 1-3 40-50 lbs. 12.00-17.00, few No. 1-3 Lots 100-125 lbs. 20.00-26.50 per head.

SHEEP 23. Few Choice 85-120 lbs. Woolled slaughter lambs 39.50-46.50, few Good 65-110 lbs. 30.00-39.00. Few slaughter ewes 9.00-21.00. Yearlings 24.00-35.00.

Holstein Dairy Cows \$390.00-\$1,000.00, mostly \$600.00-\$800.00 per head.

ROSKAMP: THE ROLLER MILL SPECIALISTS

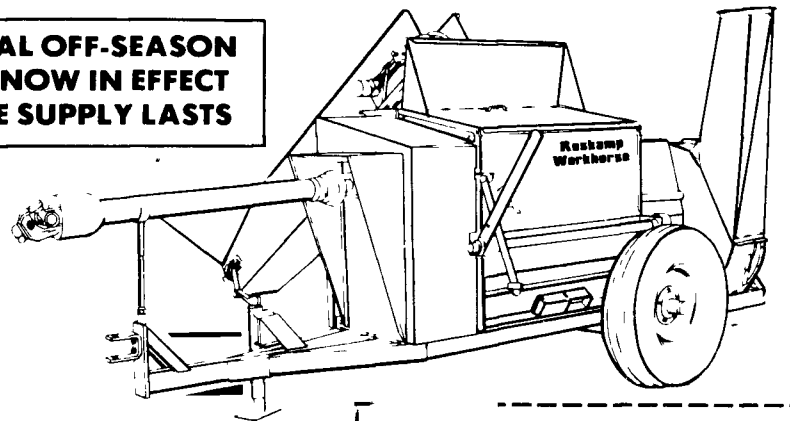
The Portable Roller Mill



SPECIAL SALE ON A DEMO UNIT - ONE ONLY

Workhorse

SPECIAL OFF-SEASON SALE NOW IN EFFECT WHILE SUPPLY LASTS



Phone or send in this coupon for free literature on the Heavyweights to:
Roskamp Mfg., Inc.
2167 Rush-Mendon Rd
Rush, New York 14543



Roskamp Heavyweights

Check here
 Stationary Feed Processing Center
 Portable Ear Corn Mill
 Portable Grain Roller Mill
 Silage Roller Mill
 Have representative call or stop in

Name _____
RR or Box No _____
City _____ State _____
Zip _____ Phone _____

SEE YOUR LOCAL DEALER TODAY

REGIONAL SALES MANAGER

Lou Shuba
716-533-2237

PENNSYLVANIA

Barrett Equipment Co.
Smicksburg, Pa
814-257-8881

Clapper Farm Equip., Inc.
Alexandria, Pa
814-669-4465

Fred Crivellaro
Easton, Pa.
215-258-7584

Tom Dunlap
Jersey Shore, Pa
717-398-1391

Erb & Henry
New Berlinville, Pa
215-367-2169

Fickes Silo Co.
Box 7
Newville, Pa. 17241
717-776-3129

Harclerode's Dairymen Specialty Co.
New Paris, Pa
814-839-2790

S.G. Lewis & Son, Inc.
West Grove, Pa.
215-869-9440

R.T. Markle Farm Equip., Inc.
State College, Pa
814-237-3141

Marshall Machinery, Inc.
Honesdale, Pa
717-729-7117

Northeast Equipment Co.
Northeast, Pa
814-725-1888

North Penn Sealstor
Bloomsburg, Pa
717-387-1422

Atlee Rebert
Littlestown, Pa
717-359-5863

Rovendale Supply
Watsonstown, Pa
717-538-5521

Sollenberger Silos Corp.
Chambersburg, Pa
717-264-9588

Stanley's Farm Service
Klingerstown, Pa
717-648-2088

Stouffer Bros., Inc.
Chambersburg, Pa
717-263-8424

Swope & Bashore, Inc.
Myerstown, Pa
717-933-4138

Tam Agri Corp.
Dillsburg, Pa
717-432-9738

Terre Hill Silo Co., Inc.
Terre Hill, Pa.
215-445-6736

Uniontown Farm Equipment
Uniontown, Pa
412-437-9851

DELAWARE

O.A. Newton & Son Co., Inc.
Bridgeville, Del
302-337-8211

MARYLAND

Arnett's Garage
RR 9 Box 125
Hagerstown, Md. 21740
301-733-0515

P & S Equipment, Inc.
Street, Md.
301-452-8521

Tri-State Farm Automation
Hagerstown, Md.
301-790-3698

NEW JERSEY

Andover Tractor & Equipment, Inc.
Andover, NJ
201-786-5525

Brookhill Equipment & Supply Co.
Pittstown, NJ
201-735-4142

NEW YORK

Sharon Springs Garage, Inc.
Sharon Springs, NY
518-284-2346

WEST VIRGINIA

Ed Lipscomb's Equip.
Eglen, WV
304-735-5239