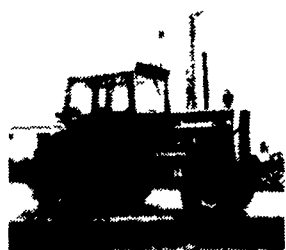


**USED BELTING MATERIAL
RUBBER MATS FOR**

Comfort stalls, Free Stalls
Horse Stalls, Horse and Cattle Trailers,
Hog Houses

Paul N. Brubacher
215-286-5298

**PRICES
REDUCED**



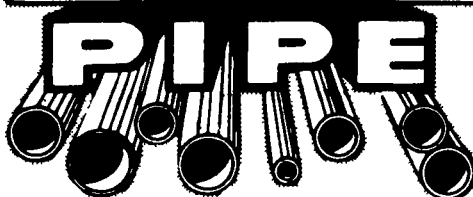
(2) 1155 MF
TRACTORS
(1) w/cab
(1) without cab
TRACTORS
REDUCED
Low Hours
Will Trade
Weights and
duals
717-733-8193

FARM EQUIPMENT

FARM EQUIPMENT

H. SCHWARTZ & SONS, INC.

**NOW SERVING THE STATE
OF DELAWARE DIRECTLY
FROM WILMINGTON!**



NEW, USED and RECONDITIONED PIPE
STANDARD - EXTRA & DOUBLE EXTRA HEAVY ALL
SCHEDULES ALL TYPES FABRICATION - THREADING
CUTTING - WELDING
121 SO. MARKET ST. - WILMINGTON 19801
302-656-0276 or 215-DE1-4240

Case 1830 Skid
Loader
4 years old
Good Shape
\$7900

Case 1830 Skid
Loader
\$6900

(New)
NH #315
Baler & Thrower
\$9,200

PAUL SHOVER'S INC.
35 E. Willow Street
Carlisle, PA
717-243-2686

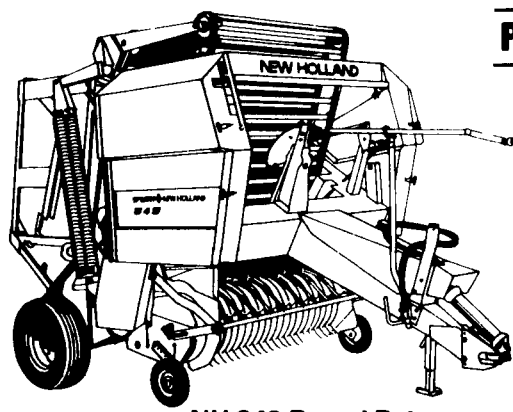


**MESSICK'S
YOUR BALER HEADQUARTERS**



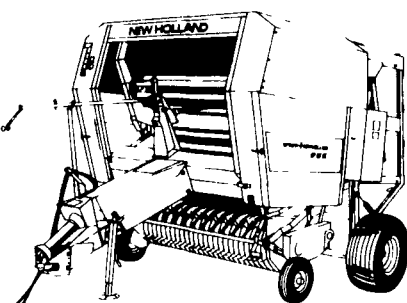
CORN FODDER SPECIALS

Picture Perfect Bales



NH 849 Round Baler

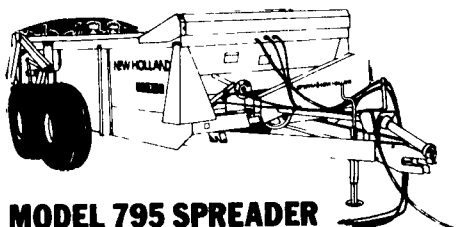
- FEATURES:**
- Roll Floor Design
 - Super Sweep Pickup
 - 2 Year or 5,000 Bale Chain Warranty
 - Automatic Wrap
 - Bale Size Indicator
 - Bale Counter
 - Bale Ejector Package
 - Automatic Chain Oiler
 - Heavy-Duty Driveline



NH 855 Round Baler

**WAIVER OF FINANCE
Till July 1, 1984
OR
CASH REBATES**

**All This PLUS WINTER
BUYER'S DIVIDEND OF \$300**

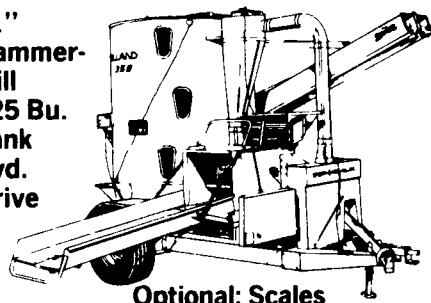


MODEL 795 SPREADER
410 Bu., Double T-Bar
Chain

**WAIVER OF FINANCE ON SPREADERS &
GRINDER MIXERS TILL APRIL 1, 1984
OR CASH REBATES OR LOW FINANCING - 4.9%**

NH 358 GRINDER MIXER

- 21" Hammer-mill
- 125 Bu. Tank
- Hyd. Drive

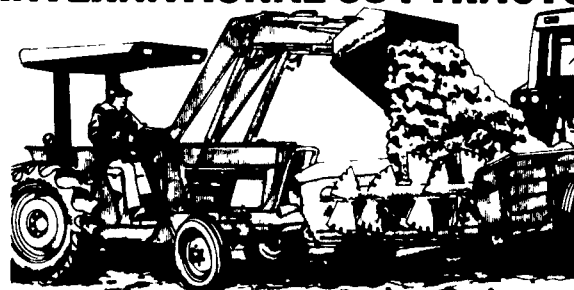


Optional: Scales

**MESSICK'S
Farm Equipment Is
Our Business**



INTERNATIONAL 584 TRACTOR/

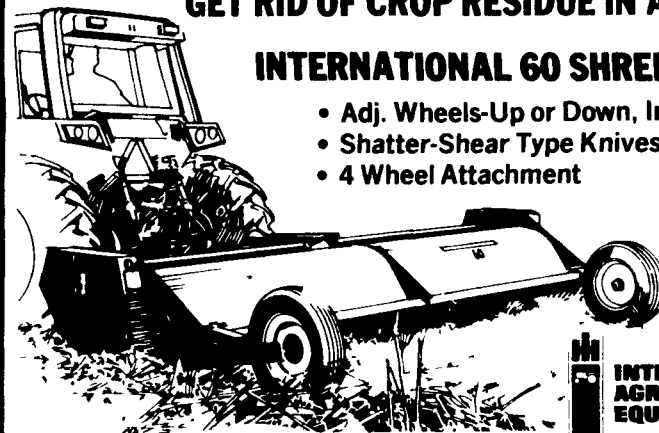


**2250
QUICK-
ATTACH
LOADER**

GOOD USED TRACTORS

- IH 1086D w/Cab & Air
 - IH 1066D w/Cab, New Rubber
- Waiver of Finance till March 1, 1984

GET RID OF CROP RESIDUE IN A HURRY!



INTERNATIONAL 60 SHREDDERS

- Adj. Wheels-Up or Down, In or Out
- Shatter-Shear Type Knives
- 4 Wheel Attachment

JUST TRADED
International 60 6 Row Shredder.
Only Used 150 Acres. Excellent Buy



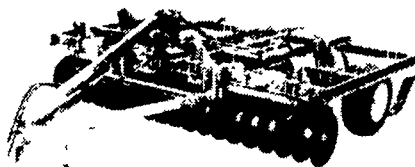
NH L555
The Ideal Skid Loader
For All Size Spreaders

**42 HP
WATER-COOLED
DIESEL**

**Super Boom -
The Loader with
the Extra Reach**

**THE NEW GLENCOE®
SOIL SAVER**

With More Trash Clearance



We Specialize In Glencoe® Soil Savers
**CHECK WITH US FOR SPECIAL
PRICES**

INTERNATIONAL 595 SPREADER
Built to Perform



- Bear Claw beaters for outstanding shredding and spreading action.
- Beveled worm gear to extend drive component life.

- Rust-resistant steel sides (guaranteed to the original owner for the life of the spreader).
- Penta-treated 3/4" plywood floors.

A GOOD SELECTION OF USED EQUIPMENT

HAY & FORAGE EQUIPMENT

NH 268 Baler & Thrower
JD 24T Baler & Thrower
Used N.H. 1495 S P Haybine w/12 Ft
Rolareel Header, Ex. Condition
NH 469 Haybine
NH 495 Haybine, 12' Rolareel End
w/Transport, Ex. Condition
NH 276 Baler w/#70 Thrower
NH 27 Whirlfeed Blower
JD 3800 Harvester, 2 Row Cornhead &
Pickup Att.
Gehl Model CB600 w/2 Row Cornhead
& Pickup Attach.
IH Model 56 Blower, H.D. PTO
IH Model 60 Shredder, 6 Narrow Rows,
4 Transport Wheels, Cylinder &
Hose (Excellent)
IH Model 56 Blower, New Band

NH Model 890 Forage Harvester
w/Electric Controls, New Knives, 2
or 3 Row Cornhead & Pickup At-
tachment.
NH Model 1469, 9 Ft. Self-Propelled
Haybine w/Ford Engine
NH 479 Haybine, Excellent
Int 565 Harvester w/2 Row Corn Head
NH 234 Wagon w/Flotation Tires, Ad-
justable Tongue
NH 4 Row Shredder
NH 278 Baler w/58 Thrower
NH 38 Flail Chopper, Excellent

SKID STEER LOADERS

NH L425 Skid Loader
NH L775 Diesel Skid Loader
Owatonna Skid Loader, 38 HP, Water
Cooled

SPREADERS

IH 3 Beater 160 Spreader
NH 365 Tank Spreader
New Idea 243 w/Gate
NH 790 w/Hyd. Endgate
NH 791 w/Hyd. Endgate, Top Beater,
Splash Guard, Fine Pan
NH 327 Spreader, 3 Beater

TRACTORS

IH 1086 w/cab (excellent)
IH 656D, Hydrostatic Drive
AC 7080 Cab, Air, Good Condition
IH 706 D w/Cab, Real Sharp
Farmall H



A GOOD SELECTION OF USED EQUIPMENT

PLANTERS

IH 800 4 row corn planters, dry fer-
tilizer, monitor, insecticide, ex-
cellent condition. Don't Miss
This Good Buy - Waiver Till
Next March 1984
IH 400, 6 Row, Monitor, Fert. At-
tachment, Insecticides, Fully Equip-
ped
IH 56, 4 Row, Fert
Int 56, 2 Row
Ontario 16 Disc Grain Drill (Nice)

TILLAGE

Glencoe 13 shank Chisel
JD 350 6 bottom auto reset Plow
Brillon 10 Ft. Packer
IH Model 55 9 Shank Chisel Plow,
Demo
IH 53, 4 Row Cultivator w/3 Pt
Hitch
IH 311 plow
IH 37 Disk Harrow
Athens 9 Shank Chisel Plow
Athens 7 Tooth High Clearance
Chisel Plow

Glencoe 7 Shank Soil Saver
Brillon 9 Shank High Clearance
Chisel

MISCELLANEOUS

JD 3 Section Rotary Hoe
New Idea 1 Row Pull Type Corn
Picker
NH 354 Grinder Mixer
NH 352 Grinder Mixer
NH Model 196 Elevator, 24 Ft.
Lilston 72" Rotary Shredder

MESSICK FARM EQUIPMENT, INC.

RHEEMS EXIT - RT 283, ELIZABETHTOWN, PA
PHONE 717-367-1319, 653-8867
WARREN SPICKLER - HOME 653-4560

★ WE SHIP UPS



MESSICK FARM EQUIPMENT, INC.

RHEEMS EXIT - RT 283, ELIZABETHTOWN, PA
PHONE 717-367-1319, 653-8867
WARREN SPICKLER HOME 653-4560

★ WE SHIP UPS

