

**SEE YOUR LOCAL BUTLER LIVESTOCK SYSTEMS DEALER**

**PENNSYLVANIA**

**AGRI EQUIPMENT INC.**  
2754 Creek Hill Rd.  
Leola, PA 17540  
717-656-4151

**DAIRYLAND SALES & SVC.**

R.D. #3, Box 18  
Troy, PA 16947  
717-297-4128

**DEPENDABLE MOTORS**

Honeybrook, PA  
215-273-3131  
215-273-3737

**ERB & HENRY EQUIP., INC.**

22-26 Henry Ave.  
New Berlinville, PA  
215-367-2169

**GEER FARM EQUIPMENT**

Box 340, RD 2  
Brookville, PA  
814-849-2039

**HARCLERODES DAIRYMEN SPECIALTY**

New Paris, PA  
814-839-2790

**FRANKLIN D. HESS**

Rt. #2  
Orangeville, PA 17859  
717-925-6939

**M.W. HOOK CONSTRUCTION**

R.D. 2, Box 163  
Peach Bottom, PA  
717-548-2615

**I.G.'s AG SALES**

Silverdale, PA 18962  
215-257-5136

**J & M MACHINERY CO., INC.**

Rt. 22 & 819  
Greensburg, PA  
412-668-2276  
412-668-7850

**K. C. DAIRY SERVICE**

R.D. 1, Box 722  
Mt. Bethel, PA  
717-897-5141

**HENRY S. LAPP**

RD1, Caines Gap, PA 17527  
717-442-8134

**GRANT MELLOTT**

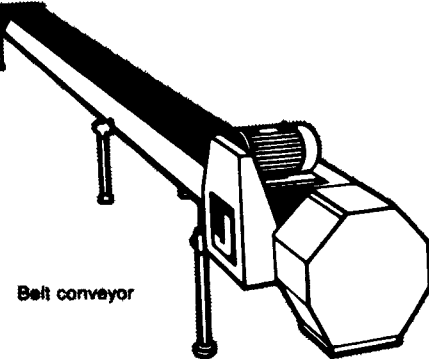
Needmore, PA  
717-573-2387

**MENDENHALL DAIRY SUPPLY**

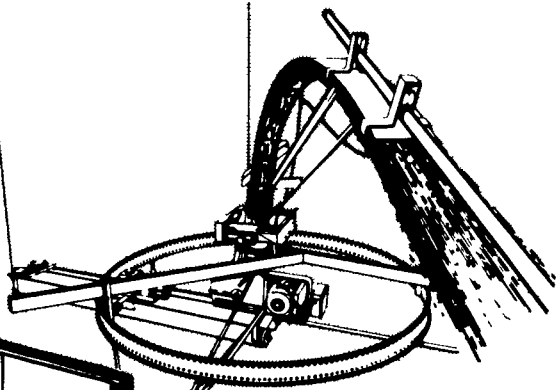
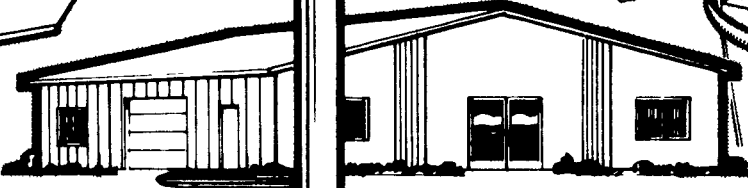
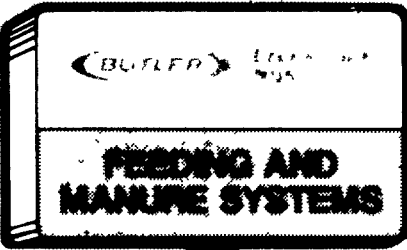
R.D. #4  
Brookville, PA  
814-849-5539

**ROVENDALE SUPPLY**

R.D. 2  
Watsonstown, PA  
717-538-5521  
717-742-7521



Belt conveyor



Volumatic® III distributor/unloader



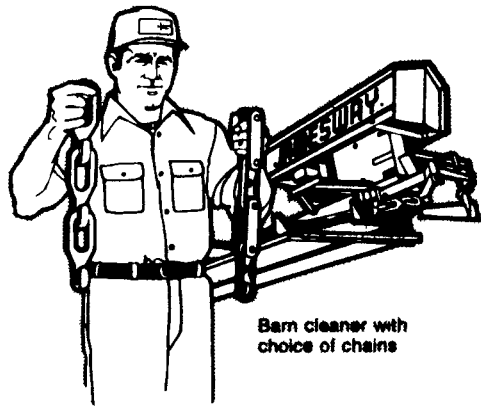
Ventilation systems

**Your single source for all this... and much more**

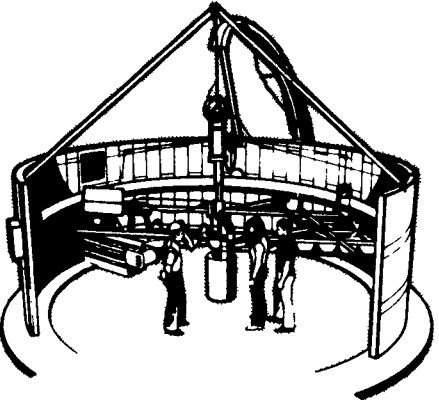
Whether you want to efficiently manage feed, forage, livestock or manure, the systems that can help you do it your way are all available from one dependable source. From us... your Butler/Jamesway Feeding Systems dealer.

We can help you develop your plans around the systems you see here, and then some. You can choose high quality equipment to match your needs from four trusted names—Butler, Jamesway, Oswalt and Nesselth—now together as one company, with an unbeatable combined track record of proven performance. Backed by knowledgeable dealer service when you need it. And your source for quality, proven manure management systems too.

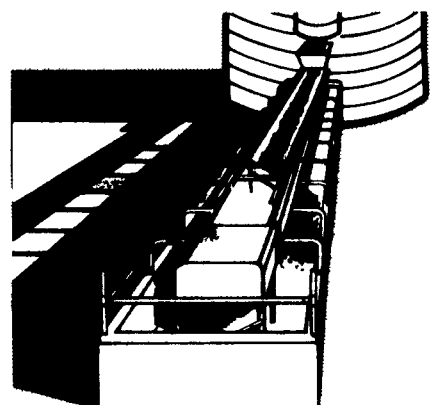
So stop in soon for details about management systems that fit your plans... and leasing programs to help you get them.



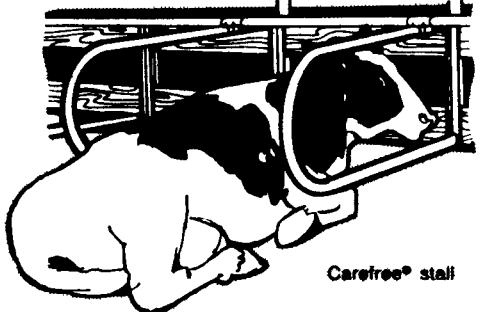
Barn cleaner with choice of chains



Big Jim® distributor/unloader

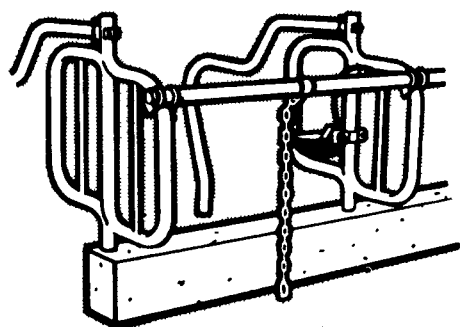


Convey-N-Feed™ feeder

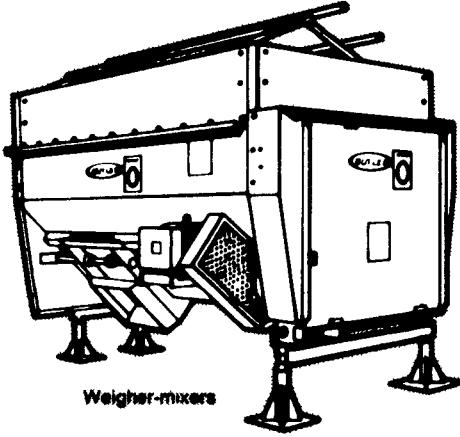


Carefree® stall

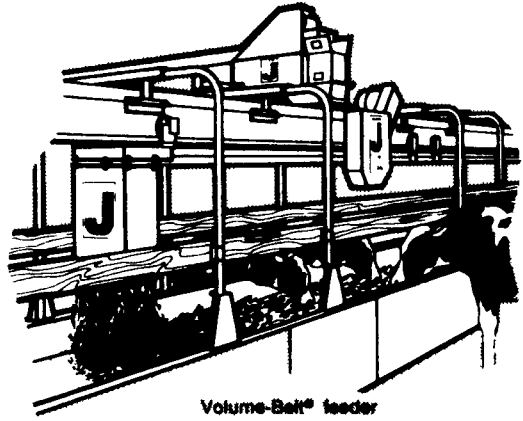
*...the better way*



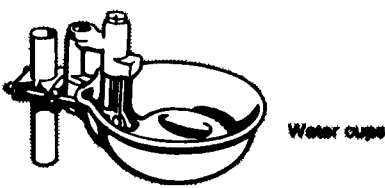
Easy-Feet™ stall



Weigher-mixers



Volume-Belt® feeder



Water cups

Butler Mfg. Co., 1963

**SOLLEBERGER SILO CORP.**  
P.O. Box N  
Chambersburg, PA 17201  
717-264-9588

**DANIEL STOLTZFUS**  
R.D. 2  
Lewistown, PA 17044  
717-242-0776

**J. A. SWOPE**  
(Ribstone Silos)  
Box 121, R.D. 1  
Myerstown, PA  
717-933-4758

**HARRY L. TROOP**  
R.D. #1  
Cochranville, PA  
215-593-6731

**NEW JERSEY**  
**GEORGE A. COLEMAN**  
Rt. #2, Box 216  
Elmer, NJ  
609-358-8528

**G. HIRAM BUCHMAN, INC.**  
Rte. 519 N. off Rte. 46  
P.O. Box 185  
Belvidere, NJ 07823  
201-475-2185

**DELAWARE**  
**BENNETT MACHINE CO.**  
1601 S. Dupont Blvd.  
Milford, DE  
302-422-4837

**NEW YORK**  
**CHARLES OLIN & SONS**  
575 Philo Road  
Elmira, NY 14903  
607-796-2186