

Livestock market and auction news

Lancaster Farming, Saturday, November 19, 1983—A17

St. Louis Cattle

Thursday, November 17

Receipts This Week 4,900:
Week Ago 3,900:
Year Ago 6,100.

Compared to last week, slaughter steers and heifers uneven, generally steady. Cows mostly 1.00 lower, instances 2.00 lower, most decline on high-yielding boning utility. Bulls steady. Slaughter supply mainly choice slaughter steers, around 30% heifers and 15% cows.

SLAUGHTER STEERS: Mixed Choice and Prime 3-4 1050-1275 lbs. 57.50-58.50. Choice 2-4 950-1300 lbs. 57.00-58.00. Mixed Good and Choice 2-3 900-1200 lbs. 56.00-57.50. Good 2-3 900-1175 lb. 54.00-56.00. Few lots mostly good 2-3 1100-1300 lb. holsteins 50.00-54.00.

SLAUGHTER HEIFERS: Mixed Choice and Prime 2-4 900-1075 lbs. 56.50-57.00; 3-4 875-1050 lbs. 54.50-55.75. Choice 2-4 850-1075 lbs. 55.50-57.00, closing 56.00-57.00. Mixed good and choice 2-3 800-1000 lbs. 53.50-56.00. Good 2-3 750-975 lbs. 50.50-54.00.

COWS: (Closing Week Sales) breaking utility and commercial 2-4 31.00-35.00, several 31.00-34.00.

Boning cutter and utility 1-2 31.00-35.00. Few high-yielding boning utility 1-2 35.00-36.00. Canner and low cutter 1-2 26.00-31.00. Shelly canner 1-2 24.00-26.00.

BULLS: YG 1-2 1100-1900 lbs. 42.00-46.00.

Thursday, November 17

Wednesday's weekly sheep auction. Receipts about 300 head. Compared with last Wednesday, slaughter lambs 2.00-4.00 lower. Feeder lambs 3.00-4.00 higher. Trading moderately active, demand good. Supply mainly wooled slaughter lambs and feeder lambs.

SLAUGHTER LAMBS: Mixed Choice and Prime 95-130 lb. wooled and shorn with No. 1-2 pelts 47.00-56.00.

FEEDER LAMBS: Choice and Fancy 70-100 lbs. 47.00-51.50.

Thursday, November 17

FEEDERS: (Including around 1,800 at the regular Thursday auction.) Feeder Steers and Heifers 2.00-3.00 higher trading moderately active. Demand Good. Supply mostly 300-600 lb. Feeder Steers and Heifers. Overall quality of receipts better than a week ago.

FEEDER STEERS: Medium

and Large Frame 1: 300-500 lbs. 59.50-66.50; 500-600 lbs. 56.00-61.75; Few 600-900 lbs. 55.00-57.50. Medium and Large Frame 1-2; few 400-600 lbs. 51.00-54.00.

FEEDER HEIFERS: Medium and Large Frame 1: 300-500 lbs. 48.00-53.00; 1 lot 409 lbs. 56.50; 500-600 lbs. 49.00-53.50; few 600-800 lbs. 47.00-49.00.

Indiana Livestock

Homer City, Pa.

Thursday, Nov. 17

Report Supplied By PDA

CATTLE: 246. Compared with market 2 wks. ago: Sl. cows 25-50 lower. Sl. steers: (few) Choice 55.25-56.25; Good 53.00-55.50; Standard 45.50-51.00. Sl. heifers: (few) Good 50.00-52.75; Standard 43.00-46.00.

Sl. cows: Utility & Commercial 34.50-38.50; Cutters 32.00-35.00; Canner&L. Cutter 25.00-32.50; Shells down to 20.00. Sl. bulls: Yield Grade No. 1, 1000-2150 lbs. 44.00-46.25; (few) Yield Grade No. 2, 900-1200 lbs. 39.00-42.00.

FEEDER CATTLE: Steers, (few) Medium Frame No. 1, 350-600 lbs. 47.00-55.00. Heifers, (few) Medium Frame No. 1, 400-600 lbs. 42.00-47.00.

CALVES: 184. Vealers 2.00-5.00 lower. (few) Choice 85.00-90.00; Good 68.00-80.00; 90-120 lbs. 45.00-50.00; 60-85 lbs. 41.00-47.00.

FARM CALVES: Hol. Bulls 90-120 lbs. 57.00-78.00.

HOGS: 127. Barrows and gilts 50-1.00 lower. US No. 1-2 200-240 lbs. 40.00-41.00. No. 1-3 200-280 lbs. 39.00-40.00; No. 2-3 280-330 lbs. 38.00-37.25; US No. 1-3 300-500 lbs. 33.00-35.50; No. 2-3 300-550 lbs. 31.00-33.50.

FEEDER PIGS: 72. US No. 1-3 20-30 lbs. 8.00-12.00 per head; No. 1-3 35-60 lbs. 14.00-19.00.

Leesport Auction

Leesport, Pa.

Wednesday, November 16

Report supplied by PDA

CATTLE: 334. Supply included 92 feeder cattle. Compared with last Wednesday's market, slaughter steers mostly steady. Slaughter cows 1.50-3.00 lower. Choice 1050-1300 lbs. slaughter steers 58.85-63.00, mostly 59.85-61.25, few Good & Choice 1250-1425 lbs. Holsteins 52.00-54.75, Good 54.25-60.00, Standard 47.75-52.00, few Utility & Low Standard 39.50-45.00. Few Choice slaughter heifers 55.00-58.60, few Good 48.00-55.00, few Standard 46.00-46.50, few Utility

41.25-43.75. Utility & Commercial slaughter cows 35.50-38.85, Low Dressing Utility 32.00-35.35, Cutters 33.50-35.50, Canner & Low Cutter 29.80-33.75, Shells down to 26.00. Few Good slaughter bullocks 53.75-59.00, few Standard 43.50-51.75. Yield grade #1 1250-2100 lbs. slaughter bulls 47.75-53.25, mostly 49.00-52.50, few Yield Grade #2 920-1250 lbs. 39.10-47.75.

FEEDER CATTLE: Few Medium Frame #1 425-925 lbs. feeder steers 52.25-55.50, Large Frame #2 370-840 lbs. 40.50-47.00. Medium Frame #1 430-600 lbs. feeder heifers 43.00-46.50. Few Medium Frame #1 400-800 lbs. feeder bulls 40.00-50.00.

CALVES: 117. Couple Prime vealers 88.00 & 89.00, few Choice 76.00-83.00, few Good 71.00-78.00, few Standard & Good 115-135 lbs. 52.00-53.00, 90-110 lbs. 46.00-49.00, 70-85 lbs. 43.00-47.00, few Utility 90-110 lbs. 40.00-46.00, few 55-75 lbs. 34.00-40.00.

FARM CALVES: Holstein Bulls 100-130 lbs. 47.00-87.00, mostly 72.00-84.00, 90-95 lbs. 55.00-73.00. Few Holstein Heifers 90-115 lbs. 48.00-53.00.

HOGS: 416. Barrows and gilts 1.50 lower. US No. 1-2 210-245 lbs. barrows & gilts 39.50-40.75, Lot 41.75, No. 1-3 205-255 lbs. 39.00-39.50, few No. 2-3 230-280 lbs. 32.75-39.00, few No. 1-3 190 lbs. 37.00-38.50, few 165-180 lbs. 35.50-36.50.

SOWS: US No. 1-3 300-675 lbs. sows 32.00-36.00.

BOARS: 26.00-28.00, few Lightweights 30.00-31.00.

Weekly Summary

Fri., Nov. 18

Report Supplied by PDA

Markets: 16.

CATTLE: 7030. Compared with 7007 head last week, and 7314 head a year ago. Compared with mkt. 2 wks ago: Slaughter steers mostly steady to 1.00 higher; Sl. heifers steady to 1.00 lower; Sl. cows uneven, mostly steady to 1.00 higher; Sl. bullocks steady to 1.00 higher; Sl. bulls highly uneven. Sl. steers: (few) High Choice & Prime No. 3-4, 62.85-66.00; Choice No. 2-4, 59.00-65.00; Good 55.00-60.00; Standard 46.50-53.00. Sl. heifers: Choice 55.00-59.25; Good 48.00-55.00; Standard 40.00-48.50.

Sl. cows: Utility & Commercial 35.00-41.00; Cutters 32.00-35.50; Canner&L. Cutter 28.00-34.00; Shells down to 17.00. Sl. bullocks: Choice 57.50-62.00; Good 50.00-57.75; (few) Standard 45.00-51.75.

Sl. bulls: Yield Grade No. 1, 1000-2400 lbs. 43.00-53.50; Yield Grade No. 2, 900-1450 lbs. 39.00-48.50.

FEEDER CATTLE: Steers, Medium Frame No. 1, 300-600 lbs. 48.00-58.00. Heifers, Medium Frame No. 1, 300-650 lbs. 40.00-47.00. Bulls, Medium Frame No. 1, 350-800 lbs. 43.00-57.50.

CALVES: 4530. Compared with 4715 head last week and 4662 head a year ago. Vealers Good & Choice grades 5.00-10.00 lower, Standard & Good grades steady to 3.00 lower. (few) Prime 105.00-119.00; Choice 75.00-87.00; Good 60.00-75.00; 110-130 lbs. 50.00-60.00; 90-110 lbs. 44.00-53.00; 65-90 lbs. 35.00-48.00; Utility 50-110 lbs. 30.00-45.00.

FARM CALVES: Hol. Bulls 90-

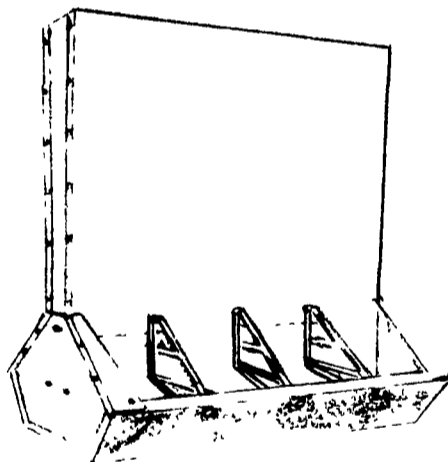
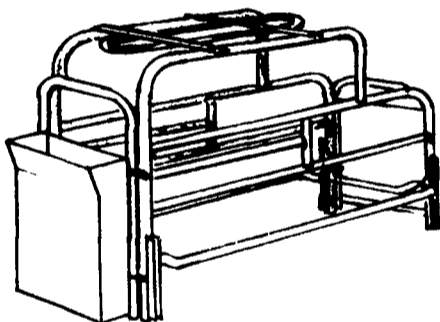
(Turn to Page A31)

The
Systems Approach
of
Hershey Equipment
lets you
put it all together

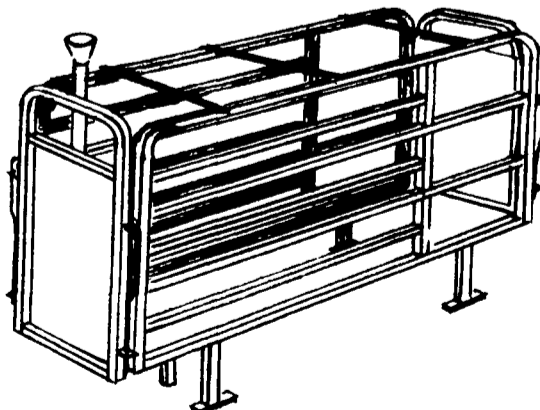
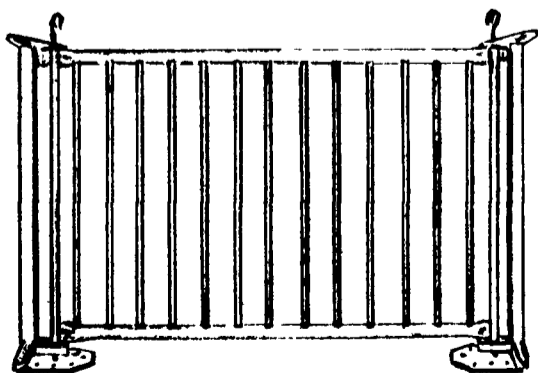
Today's profit minded poultry, swine, and grain producers must think in terms of an automatic system.

"System thinking" can help you plan away problems before you begin, or it can help you automate away problems you now have.

Hershey Equipment Co. is geared to provide all components of the system including equipment, plumbing, electrical and building. This will assure that the pieces will fit together to form a profitable system.



H HERSHEY Hog Systems
Hot Dip Galvanized



H HERSHEY EQUIPMENT
COMPANY, INC.

SYCAMORE IND. PARK
256 PLANE TREE DRIVE
LANCASTER, PA 17603
(717) 393-8807

Route 30 West at the
Centerville Exit.

Designers of Quality Systems for Poultry, Swine and Grain Handling.

WE SERVICE WHAT WE SELL

WE SELL
1-K WHITE
KEROSENE

SPECIAL!

\$119

Reg. \$249.00

Form. Mfg. of
KERO-SUN
1 Year Warranty

Ask about our
22,800 BTU
Special

LEOLA FIREPLACE & STOVE SHOP
93 W. Main St., Leola
Mon., Wed. & Fri. 10-8, Tue. & Thur. 9-6, Sat. 9-5
(717) 656-6408