

Record number accepted for NY bull test program

ITHACA, N.Y. — A record number 113 young purebred bulls have been accepted for the 1983-84 New York State Bull Test program.

Eighty breeders from nine states have entered bulls in this uniform, unbiased performance testing program. This includes 96 bulls nominated by 63 New York State breeders, seven bulls from Pennsylvania, four from New Jersey, and one each from Maryland, Vermont, Delaware, New Hampshire, Massachusetts and Montana (Each New York breeder was able to nominate two bulls while out-of-state breeders were limited to one nomination.)

The bull nominees include 39 Angus, 38 Polled Herefords, 14 Simmentals, nine Charolais, five Red Angus, three Shorthorns, two Beefalo, and one each Salers, Welsh Black, and Hereford.

The Bull Test and Sale at the conclusion of the test are jointly sponsored by the New York Beef Cattlemen's Association, Cornell University, Cooperative Extension, and the State Department of Agriculture and Markets. The test is conducted at the Cornell Livestock Teaching and Research

Center at Harford under the direction of William Greene, livestock extension associate at Cornell.

Greene expressed appreciation at the increased number of nominations (148 which were narrowed to 113) and the out-of-state interest in the New York program.

He said breeders will bring their bulls to Harford Nov. 4 and 5 where each bull will be weighed.

measured, and given a health examination and expects 100 bulls will start the 140-day test Nov. 28.

Greene said the record breaking 1983 Bull Test Sale was a factor in the increased interest in the bull test. He added, "more and more breeders with both large and small herds are accepting the value of performance testing as a basis for herd sire selection to achieve genetic improvement within their herds."

In addition to providing a recognized performance test, the Bull Test program has a second goal of making these performance tested bulls available to beef cattle producers at the May 4, 1984 sale.

Interest in the 1983-84 Bull Test will grow as monthly reports are made public at the conclusion of each weigh period. These are studied not only by breeders with bulls on test but also by many other beef cattle producers. Often a breed rivalry or a rivalry within a

breed develops as the monthly average daily gain figures are issued.

In addition cattlemen will be following the on-the-farm evaluation of the bulls that completed the 1982-83 Bull Test as their first crop of calves are born during the late winter and early spring.

Information about the Bull Test may be obtained from William Greene, Morrison Hall, Ithaca, N.Y. 14853.

Hereford gains superior sire status

KANSAS CITY, MO. — An Oregon-bred bull became the Polled Hereford breed's seventh Superior Sire by completing the sire-daughter mating phase of testing.

Bred by Hawley Polled Hereford Ranch, Cottage Grove, Ore., Enforcer 107H is currently owned by Falklands Farm, Schellsburg, Pa.; Wests Polled Herefords, Spanish Fork, Utah; Pudding River Polled Hereford Ranch, Salem, Ore.; and Cen-Cal Polled Herefords, Napa, Calif.

The first "Grand Slam" Superior Sire, Enforcer collected the Gold

Trophy, Gold Seal, Gold Standard and Gold Performance awards on his way to the Superior Sire honors. In the 1979-1980 show season, Enforcer progeny garnered the SOP points to put him on the Gold Trophy list the first year he was old enough to have calves in competition.

Adding the Gold Seal Award to his Gold Trophy status, Enforcer also made the elite Gold Standard list in 1980. In 1982, Enforcer sons at central bull test stations tallied the points to earn their sire the Gold Performance title. His recent completion of 21 sire-daughter

matings without the occurrence of horns or genetic abnormalities earned the rank of Superior Sire.

Enforcer was sired by Gold Standard Sire WSF PRL Justa Banner and is out of Lady Kay Leonard From Remital Cattle Co., Olds, Alta. In addition to his

award-winning performance in the Superior Sire Program, the 1983 Sire Summary lists him as a Trait Leader for weaning weight, yearling weight and maternal performance. The 1983 Benchmark Dam awards lists 10 half-sisters to Enforcer, sired by Justa Banner.

Quality Building Systems

7 KEENER RD., LITITZ, PA. 17543
PH: (717) 626-5204

MERVIN MILLER

YOUR RELIABLE BUILDER

- DAIRY • BEEF • SWINE • POULTRY
- HORSE BARN • ALL PURPOSE BUILDINGS

SKID LOADER
&
BACKHOE SERVICE
INSTALLATION WATER
&
SEWER LINES



POLLED HEREFORD

ROSKAMP: THE ROLLER MILL SPECIALISTS

Features:

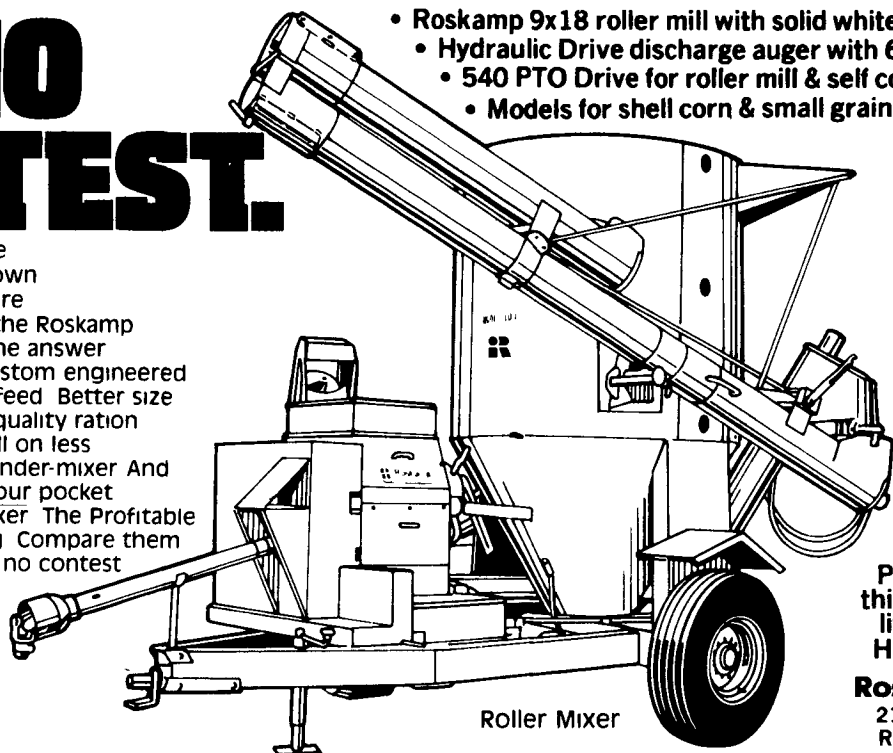
- Roskamp 9x18 roller mill with solid white iron rolls.
- Hydraulic Drive in-feed auger
- Digital Scales
- Hydraulic Drive discharge auger with 6' extension
- 100 bu. mixer
- Supplement in feed hopper
- 540 PTO Drive for roller mill & self contained Hyd. System
- Custom made for your farming operation
- Models for shell corn & small grain or ear corn and small grain

NO CONTEST.

Look at this machine
It's a winner hands down
A grinder can't compare

A roller-mixer from the Roskamp Heavyweights line is the answer Precision built And custom engineered To provide processed feed Better size consistency A higher quality ration Maximum digestion All on less horsepower than a grinder-mixer And that means profit in your pocket

A Roskamp roller-mixer The Profitable Alternative to grinding Compare them yourself There's really no contest



Roller Mixer

Rolled Feed Advantages:

- Eliminates dust & flour in feed - reduces waste
- Reduces respiratory problems
- Lower processing costs - less horsepower and time for same capacity as hammermills
- Better feed conversion - tests show 5-15 percent better conversion vs. hammermill

Phone or send in this coupon for free literature on the Heavyweights to:

Roskamp Mfg., Inc.
2167 Rush-Mendon Rd
Rush, New York 14543



- Check here
- Stationary Feed Processing Center
 - Portable Ear Corn Mill
 - Portable Grain Roller Mill
 - Silage Roller Mill
 - Have representative call or stop in

Name _____
R R or Box No _____
City _____ State _____
Zip _____ Phone _____

SEE YOUR LOCAL DEALER TODAY

REGIONAL SALES MANAGER

Lou Shuba
716-533-2237

PENNSYLVANIA

Barrett Equipment Co.
Smicksburg, Pa.
814-257-8881

Clapper Farm Equip., Inc.
Alexandria, Pa.
814-669-4465

Norman D. Clark & Son Inc.
Honey Grove, Pa.
717-734-3682

Fred Crivellaro
Easton, Pa.
215-258-7584

Tom Dunlap
Jersey Shore, Pa.
717-398-1391

Erb & Henry
New Berlinville, Pa.
215-367-2169

Fickes Silo Co.
Box 7
Newville, Pa. 17241
717-776-3129

Harclerode's Dairymen
Specialty Co.
New Paris, Pa.
814-839-2790

S.G. Lewis & Son, Inc.
West Grove, Pa.
215-869-9440

R.T. Markle
Farm Equip., Inc.
State College, Pa.
814-237-3141

Marshall Machinery, Inc.
Honesdale, Pa.
717-729-7117

Northeast Equipment Co.
Northeast, Pa.
814-725-1888

North Penn Sealstor
Bloomsburg, Pa.
717-387-1422

Atlee Robert
Littlestown, Pa.
717-359-5863

Rovendale Supply
Watsonstown, Pa.
717-538-5521

Sollenberger Silos Corp.
Chambersburg, Pa.
717-264-9588

Stanley's Farm Service
Klingerstown, Pa.
717-648-2088

Stouffer Bros., Inc.
Chambersburg, Pa.
717-263-8424

Swope & Bashore, Inc.
Myerstown, Pa.
717-933-4138

Tam Agri Corp.
Dillsburg, Pa.
717-432-9738

Terre Hill Silo Co., Inc.
Terre Hill, Pa.
215-445-6736

Uniontown Farm Equipment
Uniontown, Pa.
412-437-9851

DELAWARE

O.A. Newton & Son Co., Inc.
Bridgeville, Del.
302-337-8211

MARYLAND

Arnett's Garage
RR 9 Box 125
Hagerstown, Md. 21740
301-733-0515

P & S Equipment, Inc.
Street, Md.
301-452-8521

Tri-State Farm Automation
Hagerstown, Md.
301-790-3698

NEW JERSEY

Andover Tractor & Equipment, Inc.
Andover, NJ
201-786-5525

Brookhill Equipment & Supply Co.
Pittstown, NJ
201-735-4142

NEW YORK

Sharon Springs Garage, Inc.
Sharon Springs, NY
518-284-2346

Willsey Farm Center
Tully, NY
315-696-5163

WEST VIRGINIA

Ed Lipscomb's Equip.
Egdon, WV
304-735-5239