

FARMER BOY AG, INC.

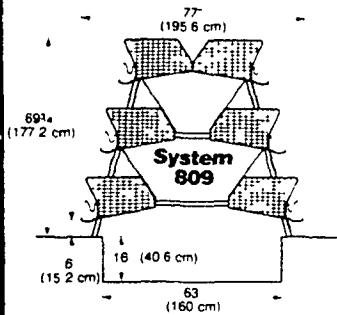


Distributor For

DIAMOND POULTRY SYSTEMS
Farmington, Michigan

Diamond Systems

2- and 3-High Modified Stair-Step Cage Layer Systems

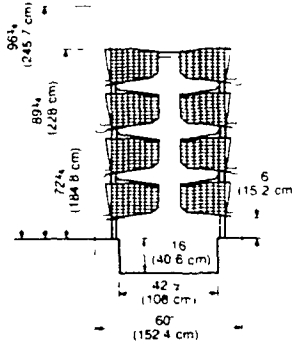


Exclusive Contour Cage gives birds more room

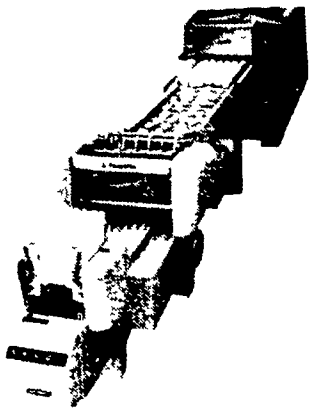
Diamond Systems

New 4-5-6- High Stacked Layer Cage Systems

The Best Equipment for converting old poultry houses to maximum density



For Egg Packing You Can Bank On Us.
Diamond Automation's FARMPACKERS are... Eggcellent!



New Diamond Systems 3-High Starter-Grower

SALES & SERVICE For Buildings And Equipment

CALL

IRVIN HORST **LARRY HORST**
Office (717) 866-7565 Office (717) 866-7565
Home (717) 866-2815 Home (717) 949-3022

SWINE & POULTRY SYSTEMS SPECIALISTS
FARMER BOY AG.
410 E. LINCOLN AVE. MYERSTOWN PA 17067 PH 717 866 7565
BEST IN DESIGN, PRICE AND EXPERIENCE

New rule to reduce spread of Gypsy moth

WASHINGTON, D.C. — The U.S. Department of Agriculture will begin regulating the movement of outdoor household articles Oct. 3 to help prevent the interstate spread of the gypsy moth.

"All items used or stored outdoors must be free of gypsy moths - eggs, caterpillars, cocoons and adults - before they can be moved from a gypsy moth high-risk area into or through a non-regulated area," said Bert Hawkins, administrator of USDA's Animal and Plant Health Inspection Service. The high-risk area is generally the infested northeastern states.

"People who have lived with this pest know what a nuisance it can be," Hawkins said. "We're counting on their cooperation to keep the gypsy moth from spreading to new neighborhoods."

"After Oct. 3 when the new regulation goes into effect, people moving from the high risk area will have to inspect their outdoor household articles before they move, or hire a USDA-trained commercial expert to do it for them," said Hawkins.

State and federal agricultural officials will be checking interstate moves in transit or at destination to make sure they are gypsy moth-free. Every move should be accompanied by either an outdoor household article document issued

by a USDA-qualified expert or a written statement that the owner inspected the articles, Hawkins said.

Most new isolated infestations are started from gypsy moth egg masses on household articles used or stored outdoors during the gypsy moth's egg-laying stage. Each tan-colored, fuzzy egg mass can contain as many as 1,000 eggs - capable of over-wintering to hatch and start a new infestation of the leaf-eating gypsy moth.

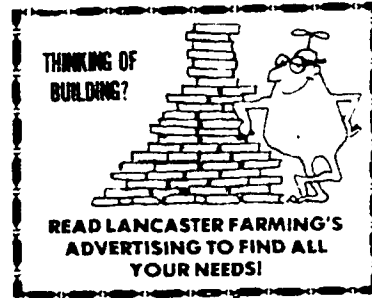
Under the new regulation, people may be fined if they move any life form of the gypsy moth - adult, caterpillar, cocoon or egg mass - out of designated high-risk areas, unless their articles are accompanied by an outdoor household document obtained before the move.

Names of qualified, certified applicators are available from state departments of agriculture, county extension agents or USDA plant protection and quarantine offices.

Inspection guidelines for those who elect to inspect their own articles are available by writing Don't Move Gypsy Moth, USDA-APHIS, Rm. G-187, 6506 Belcrest Rd., Hyattsville, Md. 20782. Copies may also be available at local public libraries, state departments of agriculture, county extension agents or USDA plant protection and quarantine offices.

Regulated items include anything associated with the household kept outside the home. General categories include: recreation or camping items, building materials, yard and garden items and children's toys.

High-risk states are: Connecticut, Massachusetts, New Jersey and Rhode Island. Parts of these states are also high risk: Delaware, Maine, Maryland, Michigan, New Hampshire, New York, Pennsylvania and Vermont.



STRETCH

YOUR FAMILY'S BUDGET

FUEL OIL PRICES

No one knows what tomorrow's prices will be, but the following figures prove that Carlos R. Leffler Inc. is committed to providing their customers with the lowest fuel prices possible.

Prove to yourself how much you can save by simply filling in and totaling the below information.

	Gallons Consumed	Total Savings
1980/1981 HEATING SEASON		
Carlos R. Leffler Inc. Highest Fuel Price For The Season	1 18 9	x ----- =
Place The Highest Price You Paid Here	-----	x ----- =
FIRST YEAR SAVINGS		
1981/1982 HEATING SEASON		
Carlos R. Leffler, Inc. Highest Fuel Price For The Season	1 16 9	x ----- =
Place The Highest Price You Paid Here	-----	x ----- =
SECOND YEAR SAVINGS		
1982/1983 HEATING SEASON		
Carlos R. Leffler, Inc. Highest Fuel Price For The Season	1 15 9	x ----- =
Place The Highest Price You Paid Here	-----	x ----- =
THIRD YEAR SAVINGS		
TOTAL APPROX. SAVINGS FOR 3 YEARS		

*For payment within 10 days this price would be 1% less

*For tanks larger than 275 there is a discount that would decrease this price

CARLOS R. **LEFFLER INC.**

AIR CONDITIONING HEATING
FUEL OIL SOLAR

Richland 717-866-2105
Middletown 717-561-2772
Lebanon 717-272-2541
New Holland 717-354-4136
Reading 215-376-7364
Mt. Joy 717-653-8026
Lancaster 717-397-8244
York County 717-846-6596
Chester Co. 215-692-6919

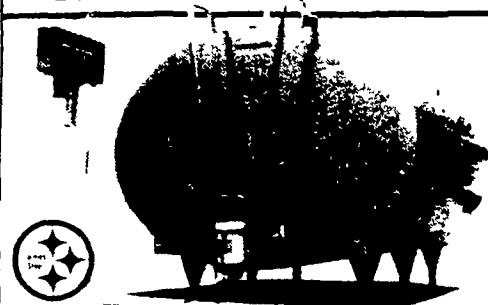
We Deliver **LP GAS**

Call Collect - 717-768-8248

MUELLER HiPerForm

"The Ultimate Measure of a Cooler's Worth is its Performance!" ... and when you put your milk in a Mueller HiPerForm

...its like Money in the Bank!



Mueller Model OH Milk Coolers not only look good they offer the ultimate in sanitary design and are 100% stainless steel!

The HiPerForm Electronic Refrigeration Washing System has a new look and new features!

- Alarm Circuit
- Pre-start Control
- Agitate Time Switch
- Automatic Interval Agitator
- Manual Bypass
- Digital Display
- Digital Temperature Readings

FIELD SERVICE TRAINED DISTRIBUTORS offer INSTALLATION and 24-HOUR SERVICE to ensure the safekeeping of your milk!

USED TANKS
500 Gal. Mueller "M"
600 Gal. Mueller "M" 800 Gal. Girton
800 Gal. Mueller "M" 800 Gal. Sunset
Other Used Tanks Available

24 HOUR SERVICE
GEORGE M. PRIEST, JR. & SONS
RD 8, Box 142 Hagerstown, MD 21740
301-797-3921 or 301-733-6661