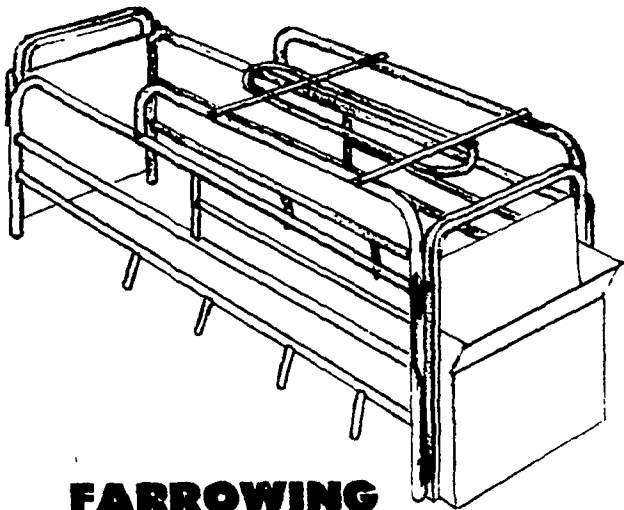


# Are You Ready To Go Whole Hog? Try Hershey's Hog Systems!

- Breeding • Gestation • Farrowing
- Nursery • Growing • Finishing



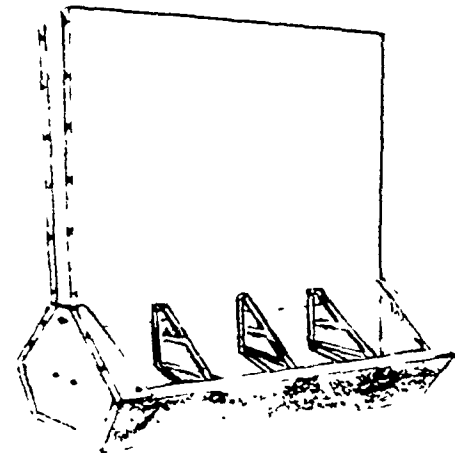
It takes a lot of planning, knowledge and experience to develop a profitable confinement operation. Hershey Equipment Co. will assist you in the planning and recommend the most efficient arrangement of equipment. This service we provide will blend the building and equipment together to form a practical, labor saving, economical hog system for top quality hogs.



**FARROWING**

**Farrowing Systems**  
are designed with both the sow  
and farmer in mind.

**Nursery Systems**  
include pig rearing cages or  
penning equipment



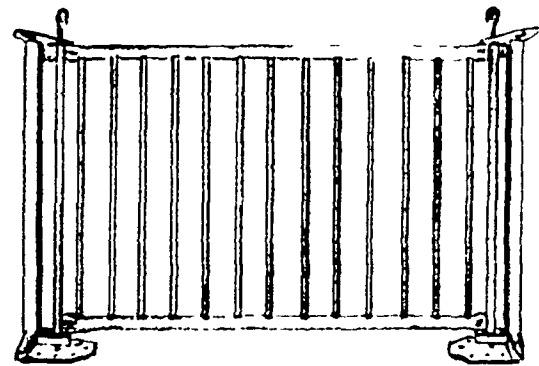
**FEEDERS**



**GESTATION**

**Gestation Systems**  
reduce stress and the  
opportunity for fighting

**Finishing Systems**  
are designed using top quality  
penning and feeders.



**PENNING**

**WE HAVE YOUR SYSTEM:**

- WE PRICE IT RIGHT
- WE INSTALL IT RIGHT
- WE BUILD IT RIGHT
- WE SERVICE IT RIGHT

**HERSHEY EQUIPMENT SELLS THE BEST & SERVICES THE REST**



**H**  
**HERSHEY EQUIPMENT**  
**COMPANY, INC.**

SYCAMORE IND. PARK  
255 PLANE TREE DRIVE  
LANCASTER, PA. 17603  
(717) 393-5807

Route 30 West at  
the Centerville Exit

**DESIGNERS OF QUALITY SYSTEMS FOR POULTRY, SWINE & GRAIN HANDLING.**