

Huntingdon dairy show



Jug of grand champion milk at the Huntingdon Fair brought \$250 at auction. The two and one-half gallon jug was bought by Barb Eastman, second from left, wife of McDonalds manager in Huntingdon. Money goes to 4-H and FFA. Shown with buyer are Huntingdon Dairy Princess Jennifer Davis, Rusty Russell, holding jug, president of Junior Holstein Club; and Geary Shade Jr., 4-H president.

(Continued from Page D18)

Senior champion and reserve champion Amy Brant
Grand champion and reserve grand champion Amy Brant

Brown Swiss
Intermediate calf 1 Shelly Baer
Junior yearling 1 Lisa Baer
Senior yearling 1 Lisa Baer
Junior 2-year old 1 Adam Baker
3-year-old 1 John Grove Jr
Junior champion Lisa Baer
Reserve junior champion Shelly Baer
Senior champion John Grove Jr
Reserve senior champion Adam Baker
Grand champion John Grove Jr
Reserve grand champion Lisa Baer

Holstein
Junior calf 1 Rodney Quigley 2 Amy Brant 3 Bethany Baney
Intermediate calf 1 John P Wensel 2 Julie Metz 3 Paul McCool
Senior calf 1 John Foster III 2 Stanley Wensel 3 Bill McMath
Junior yearling 1 Terry Branstetter 2 Rodney Davis 3 Geary Shade Jr
Senior yearling 1 Susan Behrer 2 John Foster III 3 Jennifer Davis
Junior champion John Foster III
Reserve junior champion John Paul Wensel
Junior 2-year old 1 Jennifer Davis 2 Terry Branstetter 3 Erin Branstetter
Senior 2-year old 1 Eric Gilliland 2 John P Wensel 3 Erin Branstetter
3-year old 1 Erin Branstetter 2 Rodney Davis 3 Christine Wensel
4-year old 1 John Foster III 2 Terry Branstetter 3 Keith Russell
5-year old and over 1 John Foster III 2 Eric Gilliland 3 Stanley Wensel
Senior champion Jennifer Davis
Reserve senior champion Terry Branstetter
Grand champion Jennifer Davis
Reserve grand champion Terry Branstetter

MILK MARKET NEWS

Order No. 4 class I Milk Price \$15.28 for October 1983

ALEXANDRIA, Va. — Middle Atlantic Order Market Administrator Joseph D. Shine announced on September 2, a Class I milk price of \$15.28 per hundredweight for October 1983. This price is down two cents from the September price but is four cents higher than last October. Order No. 4 prices are announced for milk testing 3.5 percent butterfat f.o.b. plants located within 55 miles of Philadelphia, PA and also within 75 miles from the nearer of Washington, DC or Baltimore, MD. There is also a 6-cent direct-delivery differential applicable to producer milk received at plants located within 55 miles of Philadelphia.

Mr. Shine announced a Class II milk price of \$12.60 per hundredweight for August 1983 and a butterfat differential of 17.0 cents for the month. The Class II price is up seasonally by five cents from July while the butterfat differential increased one-tenth of a cent.

The October Class I price and the

August Class II price are based on the August 1983 Minnesota-Wisconsin manufacturing milk price of \$12.48 per hundredweight at a 3.5 percent butterfat content.

The USDA reported that the wholesale price of Grade A butter at Chicago for August was \$1.4775 per pound and the nonfat dry milk price was \$.9359 per pound, f.o.b. plants in the Chicago area.

ALEXANDRIA, Va. — On August 23, 1983, C. W. McMillan, Assistant Secretary, Marketing and Inspection Services, United States Department of Agriculture, signed a Final Order regulating the handling of milk in the Middle Atlantic marketing area. The effective date of the Final Order is September 1, 1983.

We Specialize in Aerial Work Using Our Twin Bucket Boom Truck

Extends To 55 Ft

ELECTRICAL CONTRACTING
Specializing in **AGRICULTURAL WIRING**
Also Residential, Industrial And Commercial Work
Free Estimates

C. M. HIGH CO.
320 King St
Myerstown, PA 17067
Phone: 717-866-7544

We Have Poles in Stock 25', 30', 35' & 45'

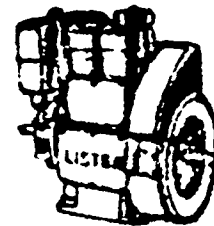
See The NEW Line of **CASE TRACTORS**
On Pages B20 & 21



SMUCKER'S SALES & SERVICE, INC.
RD #2, BOX 21
NEW HOLLAND, PA 17557

LISTER, PERKINS & DEUTZ DIESELS

- Good used diesel engines
- New Sputnik wheels & parts



2 Cyl. F2L-912

FOR PROMPT SERVICE CALL 717-354-4158 OR IF NO ANSWER CALL 717-354-4374

FARMER BOY AG, INC.

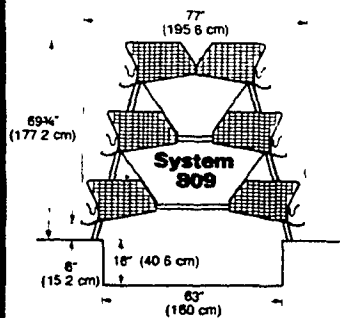


Distributor For

DIAMONDPOULTRY SYSTEMS
Farmington, Michigan

Diamond Systems

2- and 3-High Modified Stair-Step Cage Layer Systems

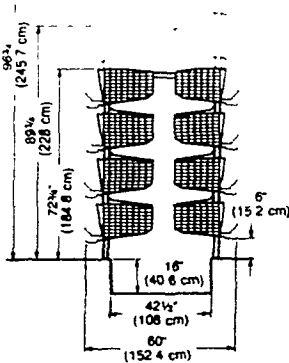


Exclusive Contour Cage gives birds more room

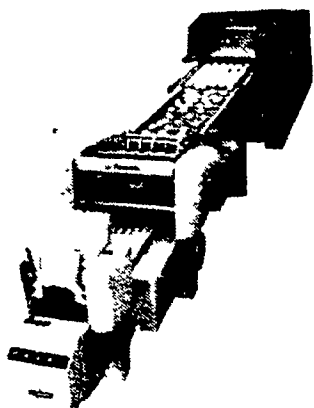
Diamond Systems

New 4-5-6- High Stacked Layer Cage Systems

The Best Equipment for converting old poultry houses to maximum density



For Egg Packing You Can Bank On Us.
Diamond Automation's FARMPACKERS are... Eggscellent!



New Diamond Systems 3-High Starter-Grower

SALES & SERVICE For Buildings And Equipment

CALL

IRVIN HORST LARRY HORST
Office (717) 866-7565 Office (717) 866-7565
Home (717) 866-2815 Home (717) 949-3022

SWINE & POULTRY SYSTEMS SPECIALISTS
FARMER BOY AG.
410 E. LINCOLN AVE. MYERSTOWN PA 17067 PH 717 866 7565
BEST IN DESIGN, PRICE AND EXPERIENCE

IMPROVE FEED PALATABILITY AND PROFITABILITY BY USING LIQUID AND DRY MOLASSES PRODUCTS IN YOUR FEED FORMULATION FOR ANIMALS FROM ZOOK MOLASSES CO.

- Liquid Feeding Cane Molasses
- Honey Brook Brand Dried Molasses - 50 lb. Bag
- Z Brand Dried Molasses - 50 lb. Bag
- Honey Brook Energiblock - All Natural 20 - No. Urea
- Energiblock - Hi Protein 36
- Energi Cubes for Horses

ZOOK MOLASSES CO.
WEST MAIN ST., BOX 160, HONEY BROOK, PA. 19344
Phone 215-273-3776 or 717-393-3987
Call toll free in area code 215 & 717: 800-662-7464

GOLDEN BARREL Household Molasses and Syrup
PRODUCTS

- | | | |
|-------------------------|---------------------|-----------------------|
| ★ BAKING MOLASSES | ★ BARBADOS MOLASSES | ★ BLACKSTRAP MOLASSES |
| ★ PANCAKE SYRUP | ★ HONEY | ★ TABLE SYRUP |
| ★ CORN SYRUP | ★ SORGHUM SYRUP | ★ SHOO-FLY PIE MIX |
| ★ WORCHESTERSHIRE SAUCE | | |

If your local store does not have it, contact:

GOOD FOOD INC.

WEST MAIN ST., BOX 160, HONEY BROOK, PA. 19344
Phone 215-273-3776 or 717-393-3987
Call toll free in area code 215 & 717: 800-662-7464