



# Farm Women Societies

## Green Valley Society 26

Green Valley Society 26 entertained Group 30 from Dover at their annual picnic at Salem Church pavilion.

The next meeting will take place Sept. 13 at 12:30 p.m. at the Lewisberry Library, Lewisberry.

## Lancaster Society 18

Lancaster Society 18 met at the home of Anna Leaman, Hans Herr Drive, for their annual food auction.

Plans were made to entertain Society 11 on Oct. 15 at the home of Anna Esbenshade.

A trip to New York on Sept. 28 was announced, with only a few vacancies left.

A donation of \$150 was made to the Shelter for Abused Women and Children.

## Lancaster

## Society 11

Lancaster Society 11 met Aug. 25 at the Chestnut Level Church House for their 58th anniversary luncheon.

Members who were age 80 or older received pins. Vickie Graybill sang several songs and was accompanied by Eleanor Bruce at the piano.

The next meeting will take place Sept. 29 at the home of Margaret Swarr.

New!



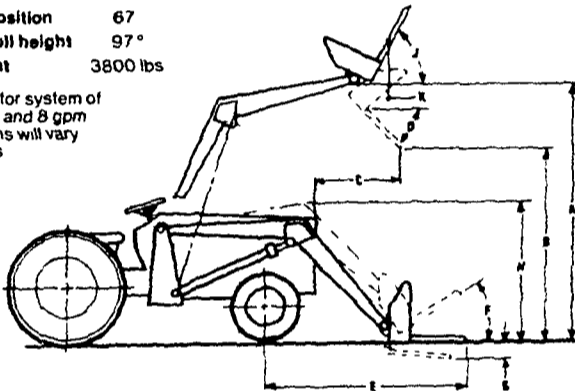
# BUSH HOG®

## 3450 QT FRONT END LOADER

- For 75 to 135 horsepower tractors
- Attaching buckets—5 to 7 foot widths
- Fast tractor attachment—no wrenches required

### SPECIFICATIONS:

A. Maximum lift height	140"	H. Overall height in carry position	67"
B. Clearance with attachment dumped	120"	J. Rollback with loader at full height	97°
C. Reach at maximum height	28"	K. Lift capacity to full height	3800 lbs
D. Maximum dump angle	43°	Specifications based on tractor system of 2100 psi hydraulic pressure and 8 gpm pump capacity. Specifications will vary slightly with different tractors.	
E. Reach with attachment on ground	73"		
F. Attachment rollback angle	9°		
G. Digging depth	6 1/4"		



**FITS OVER 85 TRACTORS**

...AND MORE MOUNTINGS TO COME!

**Mainframe:** One-piece welded 3/16" high-strength steel box construction with 1/2" hydraulic lines

**Subframe:** One-piece 3/16" steel construction

**Hydraulic Controls:** Two 2-1/2" bore 27" stroke double acting bucket cylinders and two 2-3/4" bore, 31-1/4" stroke double acting lift cylinders

**Bucket Leveling Indicator:** Heavy duty leveling indicator is standard equipment to maintain leveling of the bucket

**Breakaway Capacity:** Approx 4500 lbs

**Speed of Lift (Empty):** 6 seconds

**Speed of Drop:** 5 seconds

**Attachment Dumping Time (Empty):** 4 seconds

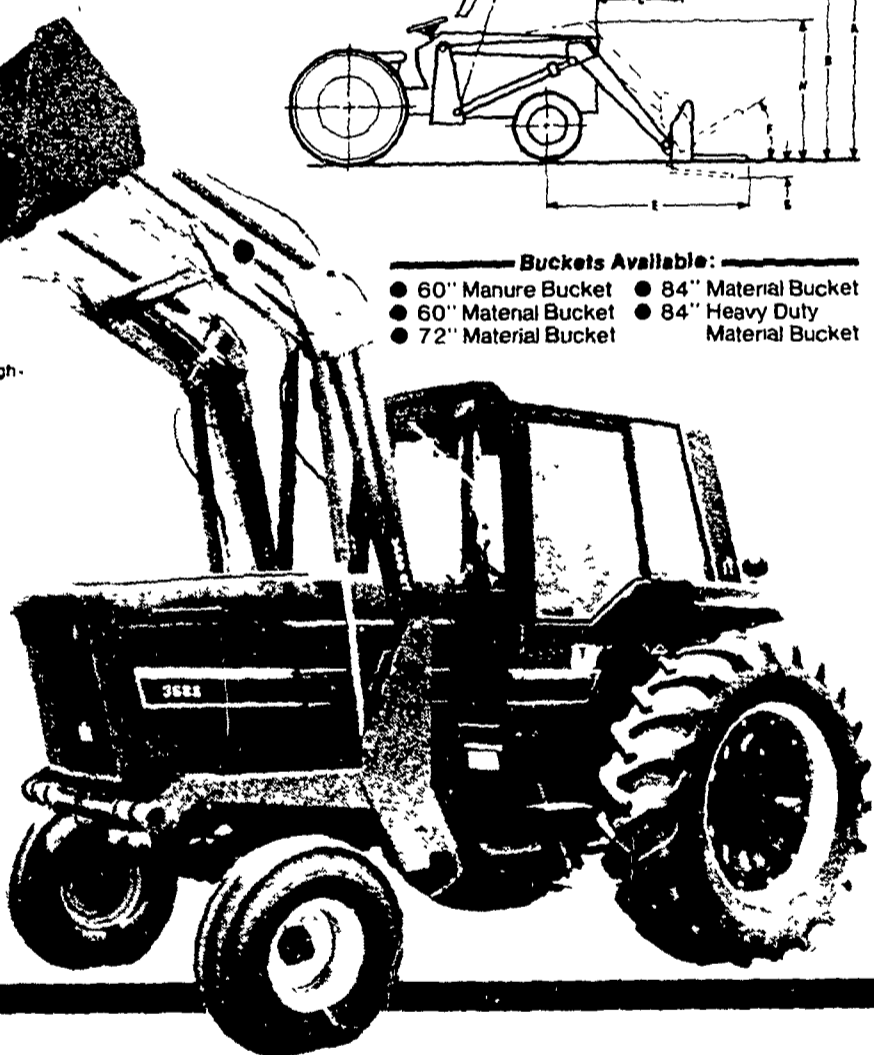
**Attachment Rollback Time (Empty):** 4 seconds

**Parking Stands:** Standard equipment

### OPTIONS:

- 48 60 72 84" Dirt Plates
- Bucket Teeth For All Material Buckets
- Cutting Edges

Specifications subject to change without notice



### Buckets Available:

- 60" Manure Bucket
- 60" Material Bucket
- 72" Material Bucket
- 84" Material Bucket
- 84" Heavy Duty Material Bucket

## SEE YOUR LOCAL BUSH HOG DEALER

**BINKLEY & HURST BROS. INC.**  
133 Rothsville Station Rd.  
Lititz, PA  
717-626-4705

**GEORGE N. GROSS, INC.**  
5261 Davidsburg Rd.  
Dover, PA 17315  
717-292-1673

**MILLER SALES & SERVICE INC.**  
Stewartstown, PA 17363  
717-993-2470

**STANLEY'S FARM SERVICE**  
RD Box 46  
Klingerstown, PA  
717-648-2088

**CLAPPER FARM EQUIPMENT**  
RD 1  
Alexandria, PA 16611  
814-669-4465

**A. L. HERR & BROS.**  
312 Park Ave.  
Quarryville, PA 17566  
717-786-3521

**NEUHAUS'ES INC.**  
RD2  
York, PA 17403  
717-428-1954

**STOLTZFUS FARM SERVICE**  
Cochranville, PA 19330  
215-593-2407

**THOMAS L. DUNLAP**  
RD 1 Box 105  
Jersey Shore, PA 17740  
717-398-1391

**KELLER'S FARM MACHINERY, INC.**  
116 Richlandtown Pike  
Quakertown, PA  
215-536-4046

**PEOPLES SALES & SERVICE**  
Oakland Mills, PA  
717-463-2735

**UMBERGERS MILL**  
RD 4 Box 132  
Lebanon, PA 17042  
717-867-5161

**FARMERSVILLE EQUIPMENT, INC.**  
RD 4  
Ephrata, PA 17522  
717-354-4271

**LEHIGH AG EQUIPMENT**  
RD #2  
Wescosville, PA  
215-398-2553

**PETERMAN FARM EQUIPMENT, INC.**  
225 York Rd.  
Carlisle, PA 17013  
717-249-5338

**IVAN J. ZOOK**  
Belleville, PA 17004  
717-935-2948



## ROHRER'S QUALITY SEEDS FOR AUGUST SEEDING

- Apollo Alfalfa
- Apollo II Alfalfa
- Armour Alfalfa
- Vanguard Alfalfa
- Redland Clover
- Baylor Brome Grass
- Orchard Grass
- Toro Timothy
- Certified Climax Timothy
- Annual Rye Grass
- Winter Rye
- Highland Pasture Mix
- Winter Vetch

Holland Extra Baler Twine  
Holland Extra Baler Twine

Order Your Fall Grain Now.  
Cert. Barsoy, Barley, Cert. Maury Barley,  
Cert. Hart Wheat, Cert. Logan Wheat,  
Cert. Titan Wheat, Cert. Hunter Wheat,  
Cert. Tyler Wheat

**P. L. ROHRER & BRO., INC.**

SMOKETOWN, PA PH: 717-299-2571

## 1983 OLEY VALLEY COMMUNITY FAIR

Routes 73 and 662  
Oley, Pa. 19547

SEPTEMBER 15, 16, 17, 1983  
PROGRAM

### ★ THURSDAY, SEPTEMBER 15, 1983

- Watermelon Seed Spitting Contest
- Lamb Trimming and Blocking Contest
- BROADWAY BUCKAROOS

### ★ FRIDAY, SEPTEMBER 16, 1983

- Farm Tractor Pulling Contest
- Log Sawing Contest
- GOSPEL HAARMONY BOYS

### ★ SATURDAY, SEPTEMBER 17, 1983

- Bale Throwing Contest
- Antique Auto Show
- Garden Tractor Pulling Contest
- Pie Eating Contest
- OLEY SUMMER COMMUNITY THEATER
- Strolling Dutch Band
- 9:30 P.M. - Auction of Fair Exhibits

Live Broadcasting: WEEU (Thursday, Friday, Saturday)  
WBYO (Thursday, Friday)

NOTE: No Public Seating Available.  
Bring Your Own Chairs