



Calling All FARMERS...



FORAGE EQUIPMENT FIELD DEMONSTRATION

Friday, September 2, 1983
10 AM - 3 PM

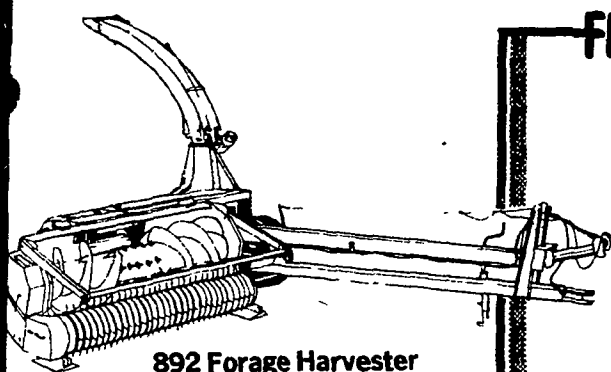
FEATURING THE NEW METALERT™ *Saves Cutterheads & Cows*

Avoid costly cutterhead damage and hardware disease with a Sperry New Holland forage harvester equipped with Metalert electronic metal detector.

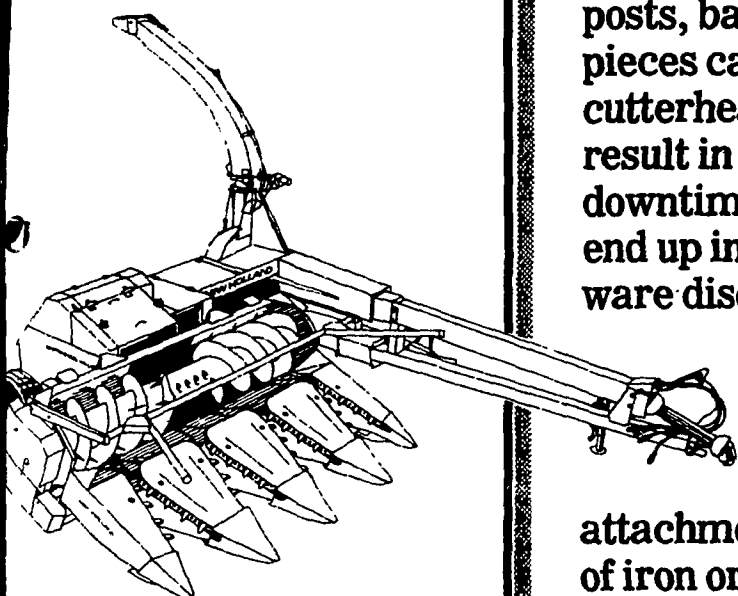
Even "clean" fields hide tramp metal — broken rake tines, sickle sections, lost hitch pins, metal fence posts, barbed and baling wire. Big pieces can chip or break cutterhead knives and result in costly repairs and downtime. Small pieces can end up in livestock feed, lead to hardware disease, and cost you valuable dairy or beef animals.

Metalert protects the cutterhead by stopping the harvester's feedrolls and attachment drive the moment a piece of iron or steel enters the feedrolls — before it gets to the cutterhead.

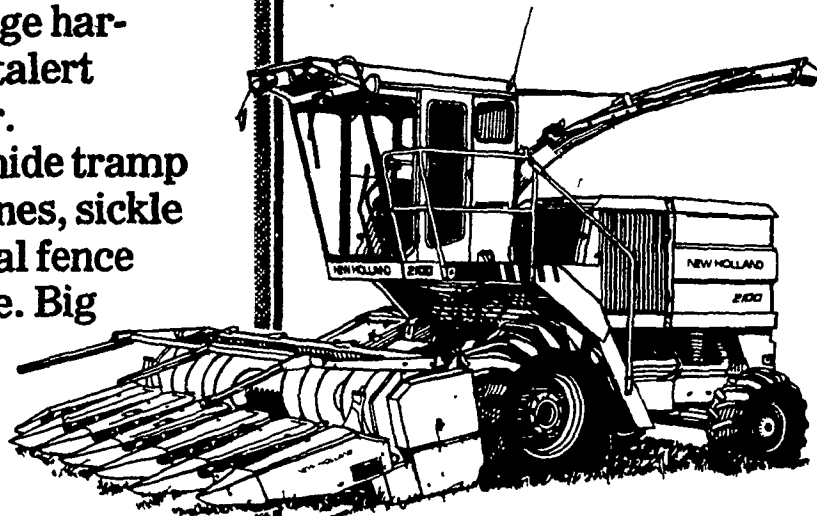
Invented by Sperry New Holland in 1975, the Metalert system is now optional on the three largest pull-type harvesters and standard on both self-propelled units.



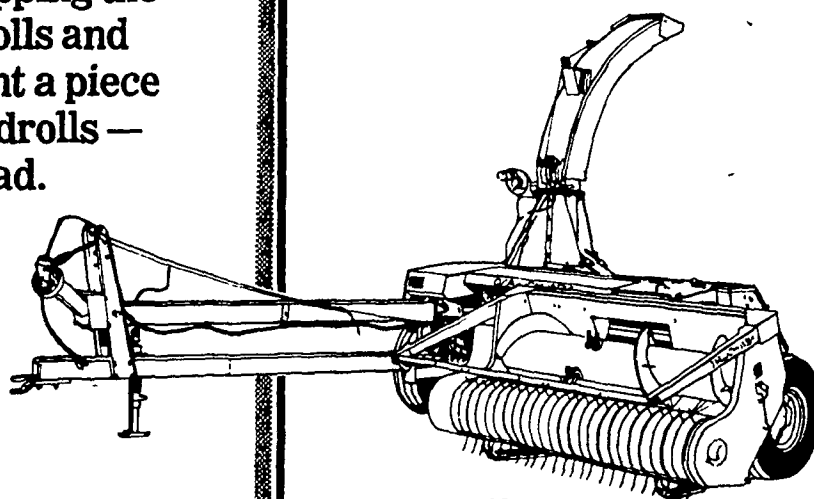
892 Forage Harvester



1600 Forage Harvester

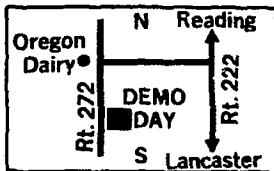


2100 Forage Harvester



782 Forage Harvester

Demo Day Sponsored By:



LOCATION: Rt. 272 (Oregon Pike exit off Rt. 222),
½ mile south of Oregon Dairy. Follow signs.

A.B.C. GROFF, INC.

Since 1890
110 So. Railroad Ave.
New Holland, PA
(717) 354-4731 or (717) 354-8004

MESSICK'S FARM EQUIP., INC.

Rheems Exit - Rt. 283
Elizabethtown, PA
(717) 367-1319 or (717) 653-8867

L.H. BRUBAKER, INC.

350 Strasburg Pike
Lancaster, PA
(717) 397-5179

ROY A. BRUBAKER

Sales & Service
700 Woodcrest Ave., RD 3
Lititz, PA
(717) 626-7766 or (717) 626-1859