

Livestock market and auction news

Belleville Auction

Belleville, Pa.

Wednesday, August 24

Report supplied by PDA

CATTLE 118. Compared with last Wednesday's market, slaughter cows \$1-\$2 lower. Couple Good slaughter steers 54.00 & 54.25. Utility and Commercial slaughter cows 36.75-40, couple 41.25. Cutters 35.00-37.25, Canner and Low Cutters 31.75-35, Shells down to 26.00. Yield Grade #1 1175-2090 lbs. slaughter bulls 44.00-48.25.

CALVES 212. Couple Choice vealers 76.00 & 90, couple Good 50.00 & 55.00, Standard and Good 70-105 lbs. 39.00-50, Utility 50-85 lbs. 30.00-40. Farm Calves: Holstein Bulls 90-125 lbs. 49.00-75, mostly 55.00-65.00.

HOGS 273. Barrows and gilts \$2.50-\$3 lower. US No. 1-2 210-245 lbs. barrows and gilts 50.35-51.75, lot 52.80, No. 1-3 220-245 lbs. 48.35-50, few lots No. 1-3 190 lbs. 43.00-45.00. US No. 1-3 275-560 lbs. sows 32.00-39.50. Boars 27.00-38.00.

FEEDER PIGS 244. US No. 1-3 20-35 lbs. feeder pigs 15.50-22.50 per head, No. 1-3 35-55 lbs. 19.00-24.50 per head.

SHEEP 54. Few Choice 45-70 lbs. spring slaughter lambs 44.00-50.00, Utility and Good 60-100 lbs. 30.00-42.00. Slaughter ewes 9.00-20.00.

GOATS 55. Large 21.00-39, couple 60.00 per head, Medium 12.00-20, Kids 8.00-15.00 per head.

HOLSTEIN DAIRY COWS \$550-\$1050 PER HEAD.

Westminster Livestock Auction

Westminster, Md.

Tuesday, August 23

Report supplied by auction

BUTCHER COWS: Steady Prices on Larger Run High Yield \$41 to 43.75; Standard & Utility \$38 to 41; Cannors \$35 to 39; Shelly \$36 down; Slaughter Bulls Med & Good 1100-1800 lb. \$44 to 48.75; Fed Steers Good \$54 to 57, Standard \$50 to 54; Holsteins \$45 to 52; Fed Heifers Choice \$57.75; good 54.50.

BUTCHER HOGS: Light Run; US 1&3 215-240 lb. \$50 to 51.50; One lot 285 lb. to \$48; Sows 300-650 lb. \$38 to 41; Thin 27 to 33.

VEAL CALVES: Good & Low Choice \$58 to 67; Standard \$50 to 56; Killers 80-100 lb. \$43 to 50; Weak & rough \$43 down.

CALVES RETURNED TO FARM: Holstein Bulls- 85-120 lb. \$55 to 89.50; Beef Type-80-100 lb. \$50 to 55.

LAMBS: 1 Choice 110 lb. \$45; Cull Sheep \$5 to 10; Kids \$12 to 25; Goats 20 to 33.

STOCK CATTLE: Steers- 275-400 lb. \$54 to 60.50; 700-900 lb. 50 to 53; Holsteins 400-700 lb. \$40 to 45; Heifers 300-700 lb. \$40 to 46.

PIGS AND SHOATS: Steady Prices; By the head-15-30 lb. \$13 to 21, 30-50 lb. \$20 to 26.50, 60-75 lb. \$29 to 37.

Chambersburg Livestock

Chambersburg, Pa.

Thursday, Aug. 25

Report Supplied By PDA

CATTLE 398, included 225 head of cows. Compared with last week's market: Sl. cows steady to .75 higher. Sl. steers: (few) low Choice NO. 2-4, 990-1175 lbs. 58.00-59.75; Good 52.00-57.25; Standard 46.10-53.00. Sl. heifers: couple Choice 55.75 & 58.50; Good 49.50-53.75; (few) Standard 45.00-46.25. Sl. cows: Utility & Commercial 38.75-43.10; Cutters 35.75-39.75; Canner&L. Cutter 32.00-35.75; Shells down to 30.00. Sl. bullocks: (few) Good 50.00-52.00; (few) Utility 40.00-43.00. Sl. bulls: Yield Grade No. 1, 1150-2140 lbs. 47.00-52.75.

FEEDER CATTLE: Steers, Medium Frame No. 1, 300-600 lbs. 36.00-50.00. Heifers, (few) Medium Frame No. 1, 390-650 lbs. 38.00-45.00.

CALVES 574. Vealers Good & Choice Grades 10.00-15.00 lower. Choice 58.00-62.00; Good 50.00-57.00; few Standard & Good 52.00-54.00; 70-105 lbs. 47.00-52.50; Utility 60-90 lbs. 42.00-48.00.

FARM CALVES: Hol. Bulls 90-130 lbs. 52.00-79.00, mostly 55.00-70.00; Hol. Heifers 70-140 lbs. 47.00-65.00.

HOGS 97. Lot US No. 1-2 220 lbs. 51.75 No. 1-3 215-235 lbs. 49.85-50.75; US No. 1-3 370-680 lbs. 35.00-38.75. Few Boars 25.00-28.00.

FEEDER PIGS: 29. (few) Lots US No. 1-3 25-40 lbs. 11.00-17.00 per head.

SHEEP: 20. (few) Choice 75-100 lbs. 44.00-48.50; one lot 65 lbs. at 42.00. Few Sl. ewes 11.00-16.00. Goats: 22. Large 16.00-35.00.

Weekly Summary

Friday, Aug. 26

Report Supplied By PDA

CATTLE: 7578. Compared with 8376 head last week, and 6760 head a year ago. Compared with last week's market: Slaughter steers uneven, Choice & Prime steady to .50 higher, Standard & Good steady to 2.00 lower; Sl. heifers steady to 2.00 lower; Sl. cows 75-1.50 lower; Sl. bullocks uneven; Sl. bulls weak to 1.00 lower. Sl. steers: High Choice & Prime No. 3-4, 63.00-68.75; Choice NO. 2-4, 59.00-64.00; Good 54.00-59.00; Standard 48.00-54.00. Sl. heifers: Choice 55.00-58.00, few 61.75; Good 50.00-55.00; Standard 45.00-50.00. Sl. cows: Utility & Commercial 36.75-41.50, few 43.60; Cutters 36.00-39.50; Canner & L. Cutter 32.50-37.00; Shells down to 20.00. Sl. bullocks: Choice 53.50-58.00; Good 49.00-55.00. Sl. bulls: Yield Grade No. 1, 1000-2250 lbs. 47.00-54.75; Yield Grade No. 2, 900-1450 lbs. 42.00-49.00.

FEEDER CATTLE: Steers, Medium Frame No. 1, 300-700 lbs. 45.00-60.50, few down to 38.00. Heifers, Medium Frame No. 1, 400-725 lbs. 34.00-45.00. Bulls, Medium Frame No. 1, 350-600 lbs. 45.00-53.00.

CALVES: 4471. Compared with 4835 head last week 3966 head a year ago. Vealers 1.00-5.00 lower. (few) Prime 95.00-110.00; Choice 74.00-90.00; Good 54.00-75.00; Standard & Good 110-130 lbs. 52.00-60.00; 90-110 lbs. 45.00-54.00; 65-90 lbs. 35.00-46.00; Utility 50-110 lbs. 30.00-40.00.

FARM CALVES: Hol. Bulls 90-125 lbs. 50.00-68.00; Hol. Heifers 90-130 lbs. 45.00-65.00.

HOGS: 7779. Compared with 7637 head last week and 6271 head a year ago. Barrows and gilts 1.00-2.00 lower. US No. 1-2 200-245 lbs. 51.00-53.75, some 55.35, No. 1-3 200-250 lbs. 49.00-51.25; No. 2-3 200-285 lbs. 46.00-49.00; No. 1-3 140-190 lbs. 43.00-46.00; Sows mostly 1.00 higher. US No. 1-3 300-650 lbs. 33.00-39.50; No. 2-3 300-700 lbs. 30.00-36.50. Boars 25.00-32.00.

FEEDER PIGS: 1030. Compared with 1768 head last week and 1202 a year ago. Steady to 1.00 lower. US No. 1-3 20-35 lbs. 11.00-23.00 per head; No. 1-3 35-50 lbs. 18.00-34.00; (few) No. 1-3 58-75 lbs. 30.00-46.00.

3 GRADED FEEDER PIG SALES: 2871. Compared with 1853 head last week, and 2789 head a year ago. All sales by CWT. Feeder Pigs steady to 9.00 lower, spots to 15.00 lower. US No. 1-2 20-30 lbs. 53.00-80.00, 30-40 lbs. 45.00-74.00, 40-50 lbs. 43.00-64.00, 50-60 lbs. 48.00-57.00, 60-85 lbs. 44.00-56.00; US No. 2-3 30-40 lbs. 51.00-70.00, 40-65 lbs. 41.00-54.00.

SHEEP: 1265. Compared with 1180 head last week and 1182 head a year ago. Steady to 1.00 lower. High Choice & Prime 70-130 lbs. 45.00-65.00; Choice 70-105 lbs. 43.00-55.00; Good 50-95 lbs. 35.00-48.00. Sl. ewes: 8.00-20.00, few to 27.00.



Peach market news

Peach Market News

August 24, 1983

Report Supplied by PDA

The Peach season is reaching its peak in week six of the Peach Market News. Supplies are high and continuing to grow. Sun High and Loring are in full production with Blake's following by the end of the week. Prices are continuing to drop due to slow demand and sluggish market. Monday the demand for larger peaches was a little stronger but dropped off on Tuesday. Demand on Orchard Run peaches were a little off on Monday but rebounded somewhat on Tuesday.

SUMMARY

The prices reported below are the latest wholesale, truckload, f.o.b. peach prices for Adams, Franklin, York and Berks Counties. 38# cartons U.S. Extra #1, 2 1/4" up Sun High, Loring \$9.00-10.00; 38# cartons U.S. Extra #1 2-1/8" up Sun High, Loring \$6.50-7.00; 38# cartons U.S. Extra #1, 2" up Sun High, Loring \$6.00-7.00; 25# cartons yellow flesh nectarines 2" up \$8.00-

9.00; 25# cartons yellow flesh nectarines 2 1/4" up \$10.00.

1/2 bushel crates Orchard Run, Sun High, Triogem, Loring Red Haven, Summer Glo \$5.50-\$6.00; 12/3# bags U.S. Fancy 2 1/4" Min. Tideman \$8.00-\$9.00; 12/3# bags U.S. Fancy 2 1/4" Min. Polared \$8.00-\$9.00; 12/3# bags U.S. Fancy 2 1/4" Min. Beacon \$8.00-\$9.00.

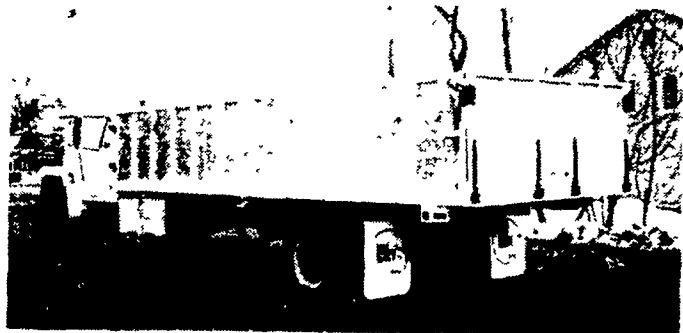
Baltimore wholesale market reports slow and little trading: 38# cartons yellow flesh peaches 2 1/2" up \$13.50; 38# cartons yellow flesh peaches 2-1/8" up \$9.00; Nectarines, no size or grade-\$7.50-\$8.00.

New Jersey Market reports very little activity: 38# cartons yellow flesh peaches 2 1/4" up \$8.50-\$9.00; few \$9.50-\$10.00.

Appalachian District reports very low demand on all sizes: 38# cartons yellow flesh peaches 2 1/2" up \$10.00-\$12.00, mo. 11.00; 38# cartons yellow flesh peaches 2 1/4" up \$8.50-\$9.00; 38# cartons yellow flesh peaches 2-1/8" up \$8.00-\$8.50; 38# cartons yellow flesh peches 2" up \$5.00-\$6.00.



Manufacturer of ALL ALUMINUM TRUCK BODIES Livestock, Grain and Bulk Feed



Aluminum Grain Body

Distributor of **TIMPTER** Refrigerated Trailers Sales & Service Blue Ball, Pa. 717-354-4971

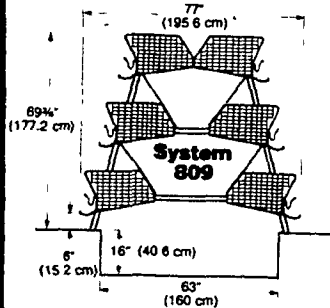
FARMER BOY AG, INC.

Distributor For

DIAMOND POULTRY SYSTEMS
Farmington, Michigan



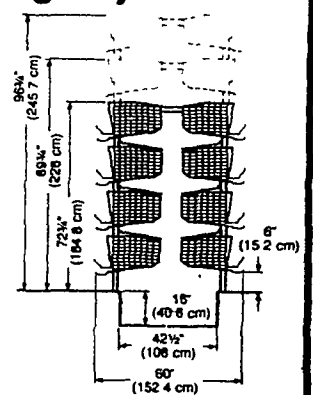
Diamond Systems 2- and 3-High Modified Stair-Step Cage Layer Systems



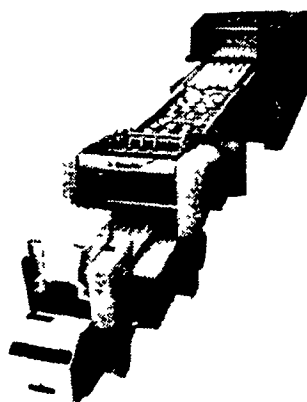
Exclusive Contour Cage gives birds more room

Diamond Systems New 4-5-6-High Stacked Layer Cage Systems

The Best Equipment for converting old poultry houses to maximum density



For Egg Packing You Can Bank On Us. **Diamond Automation's FARMPACKERS** are... **Eggscellent!**



New Diamond Systems 3-High Starter-Grower

SALES & SERVICE For Buildings And Equipment

CALL

IRVIN HORST LARRY HORST
Office (717) 866-7565 Office (717) 866-7565
Home (717) 866-2815 Home (717) 866-4957

SWINE & POULTRY SYSTEMS SPECIALISTS
FARMER BOY AG.
410 E. LINCOLN AVE. MYERTOWN, PA. 17067 PH 717-866-7565
BEST IN DESIGN, PRICE AND EXPERIENCE