

Livestock market and auction news

Penns Valley Livestock Centre Hall, Pa. Tuesday, August 2

Report supplied by auction

Beef Cows: Utility and Commercial 42.35-46.00; Cutters 39.75-42.00; Canners 36.00-39.50; Shells 25.00.

Heifers: Good 54.50-57.10; Standard 51.25-53.25.

Steers: Good 53.00-56.50; Standard 46.75-50.85.

Bulls: Good 52.85-55.50; Standard 48.75-50.25.

Feeder Cattle: 300-500 lbs. large frame 45.50-53.00; 300-500 lbs. small frame 37.00-46.00; 500-600 lbs. large frame 38.00-51.50.

Veal Calves: Choice 71.00-77.00; Good 62.00-70.00; Standard 52.00-61.00; Utility 44.00-52.00.

Farm Calves: Bulls 65.00-85.00; Heifers 60.00-74.00.

Hogs: 45.75-48.25.

Boars: 26.50-27.50.

Shoats: 25-30 lbs. per head 14.00-17.00; 30-35 lbs. per head 18.00-26.00.

Lambs: 44.25-47.50.
Sheep: 8.00-17.00.
Goats: 17.00-50.00.

Now is
the Time

(Continued from Page A10)
area will lower yields and crop prospects during this period.
We advise farmers to carefully

check their fields before arriving at a decision as to what to do. Once the leaves ABOVE THE EAR start to dry, the crop is lost but still may be salvaged as silage.

The stage of development and the condition of the plants themselves will determine your decision as to how best to handle each field situation, concludes Arnold G. Lueck, Agricultural Agent and Agronomist.

Farm Calendar

(Continued from Page A10)

Northeast Chamna Field Day (Judging Contest), York Fairgrounds.

Blueberry Festival of Bradford Co. Jr. Holstein Club at Bob Whipple's of Hornbrook.

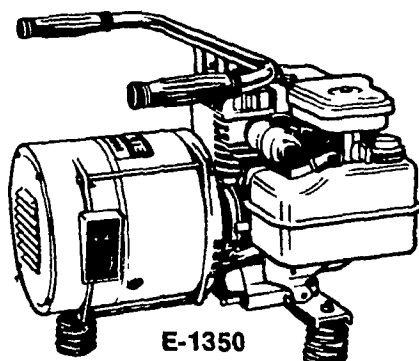
Eastern Pa. Holstein Championship Show, Kutztown.

Southcentral Pa. Holstein Show, Carlisle.

Manor Young Farmer and FFA picnic at 4 p.m. at the Lampeter Fairgrounds.

McKean Co. Fair opens, Smethport. Continues throughout week.

STORM INSURANCE WITH HOMELITE GENERATORS

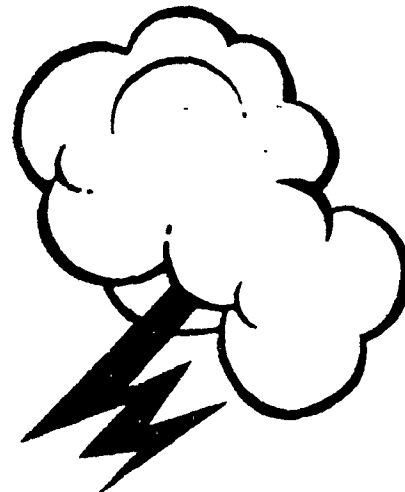


E-1350

	List	SALE
1350 Watts	\$549.95	*399
1700 Watts	\$649.95	*449
2250 Watts	\$759.95	*549

Monday, Thursday, Friday
'til 9:30
Tuesday, Wednesday, Saturday 'til 6:00

Phone 717-665-2407



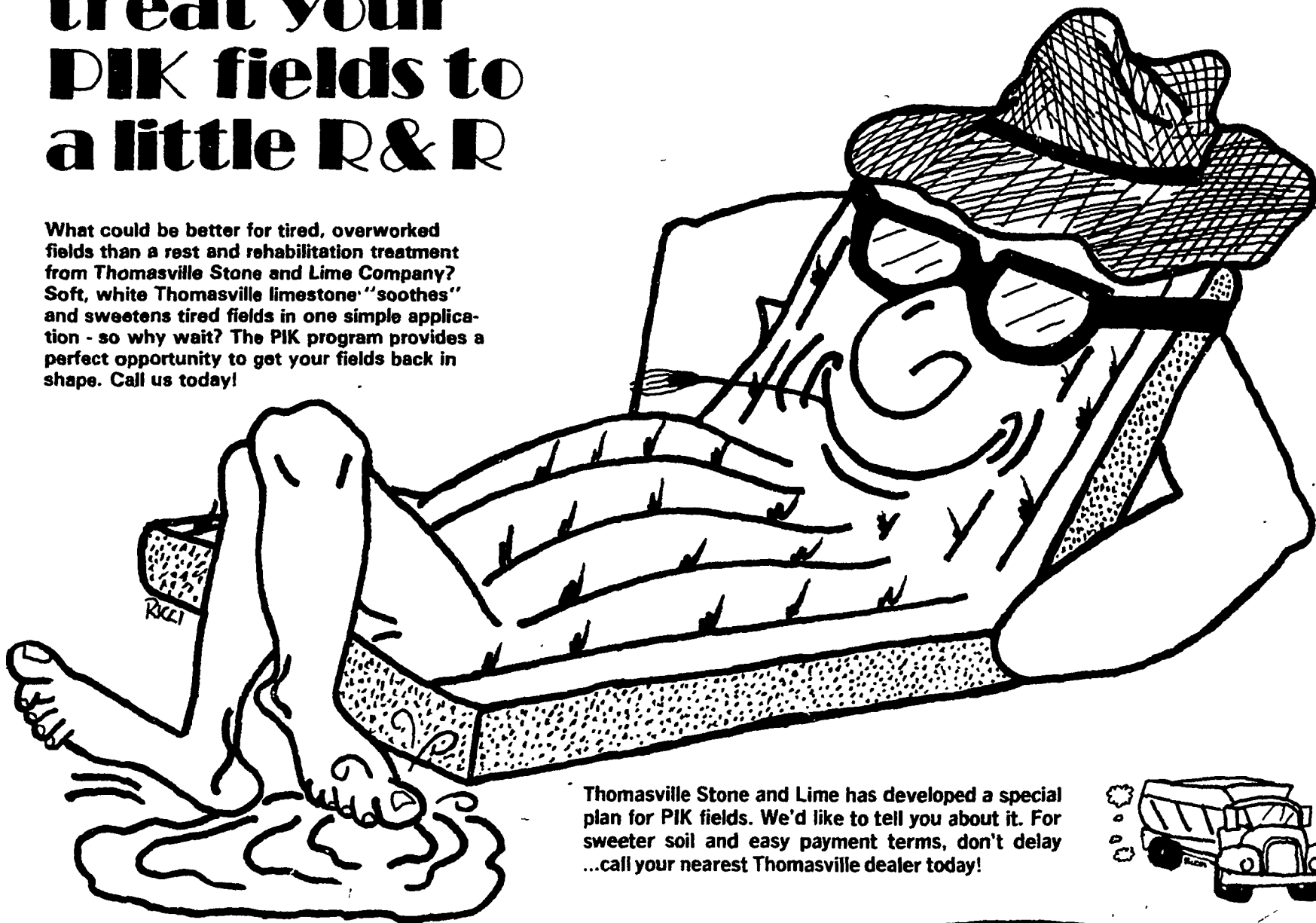
THESE COMPACT E-SERIES GENERATORS ARE IDEAL FOR EMERGENCY OR STANDBY POWER. USE THEM FOR REFRIGERATORS, FREEZERS, WATER PUMPS, FURNACE FANS, LIGHTS, OR EVEN PORTABLE POWER TOOLS.

THREE MODELS AVAILABLE

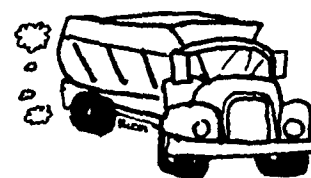
Bombergers
Elm, PA

treat your PIK fields to a little R&R

What could be better for tired, overworked fields than a rest and rehabilitation treatment from Thomasville Stone and Lime Company? Soft, white Thomasville limestone "soothes" and sweetens tired fields in one simple application - so why wait? The PIK program provides a perfect opportunity to get your fields back in shape. Call us today!



Thomasville Stone and Lime has developed a special plan for PIK fields. We'd like to tell you about it. For sweeter soil and easy payment terms, don't delay ...call your nearest Thomasville dealer today!



THOMASVILLE STONE & LIME CO. INC.
THOMASVILLE, PA.

717-792-2631

THOMASVILLE

FAST
DELIVERY
TO YOUR
FIELD