

Shippensburg crowns market steer champions

BY BETH HEMMINGER
Staff Correspondent

SHIPPENSBURG — Brenton Upperman, of Chambersburg, walked away with top honors at the Shippensburg Fair Market Steer Show held Monday evening. Brenton's steer was chosen as the heavy weight champion of the open and 4-H shows.

Later, it went on to claim the Grand Champion title of, once again, the open and 4-H shows.

Not only did Brenton win the type show, but walked away with the Senior Showmanship award. Winning the Intermediate Showman Championship was Regina Lebo, of Greencastle. Regina won the intermediate division with her heavy weight steer "Louie".

Eric Sheiss proudly walked away with the Junior Champion Showman award. Eric won the showmanship award with his heavy weight steer, "Andy".

Capturing the title of Reserve Grand Champion of the open and 4-H show was Allyson Sheaffer. Allyson's reserve grand champion steer had previously been crowned the Medium Weight Champion Steer also in the open and 4-H competition.

In the FFA competition, Andy Rill walked away with the top honors. Andy won the Grand Champion title of the FFA show with his heavy weight steer. Reserve Grand Champion went to Chris Hopple, also showing a heavy weight steer.

Winning the championship titles in the Light Weight Steer division were Denise Baker capturing the open and 4-H champion light weight. Rodney Monn won the honors of reserve champion light weight in the open and 4-H shows. Rodney also captured the FFA light weight champion.

The medium weight champion
(Turn to Page A32)

Ocker family sweeps show

BY BETH HEMMINGER
Staff Correspondent

SHIPPENSBURG — The John Ocker family, of Shippensburg, carried away all the honors of the Ayrshire show at the Shippensburg Fair Monday evening.

Rising to the title of Senior and Grand Champion of the Ayrshire show was Patti Ocker Creek with her aged cow. Patti also claimed the Reserve Grand Champion with her dry 4-year-old. Patti wasn't quite finished yet! Her entry went on to claim the Best Udder award of the show.

Claiming the Junior Champion title was William Ocker with his senior calf. The Intermediate calf was chosen as the Reserve Junior Champion and is owned by Lucille Ocker.

The individual class placings in the Ayrshire show are as follows:

Intermediate Calf
1 Lucille Ocker, 2 John Ocker III, 3 Lucille Ocker

Senior Calf
1 William Ocker
Senior Yearling Heifer
1 Lucille Ocker, 2 John Ocker III

JUNIOR CHAMPION
William Ocker

RES JUNIOR CHAMPION
Lucille Ocker
Junior Best 3 Females, Lucille Ocker
Dry Cow 4 years
1 Patti Creek, 2 William Ocker, 3 William Ocker

Senior 2 year old
1 John Ocker III
4 year old
1 Lucille Ocker, 5 year old
1 John Ocker III
Aged Cow
1 Patti Creek

SENIOR AND GRAND CHAMPION
Patti Creek
RES. SENIOR AND RES. GRAND CHAMPION
Patti Creek
Best Udder
Patti Creek



Junior champion of the Ayrshire Show at Shippensburg is shown by William Ocker. The reserve junior champion is shown by Lucille Ocker.

Youngs win honors

BY BETH HEMMINGER
Staff Correspondent

SHIPPENSBURG — James and Christine Young made a clean sweep of the Milking Shorthorn competition at the Shippensburg Fair.

However, Christine stepped to the head of her class in both the open and 4-H shows.

Christine's aged cow, Susie, captured the Senior and Grand Champion title for the show, while her father, James, held the reserve title.

With her junior heifer calf, Christine received three top awards in the show. Her junior calf was selected as the junior champion in the open and 4-H competition. Then, the junior calf went to claim the Grand Champion award of the 4-H Show. The open class Reserve Junior Champion award went to James, with his junior yearling heifer.

Christine's entry also led the way to receiving the Best Udder Award of the Milking Shorthorn show.

FARMER BOY AG, INC.

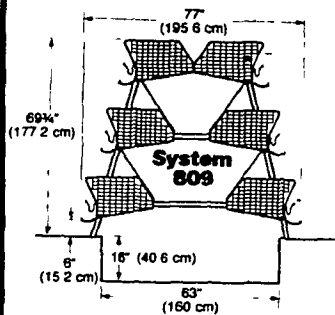
The New Distributor For



DIAMOND INTERNATIONAL SYSTEMS
Farmington, Michigan

Diamond Systems

2- and 3-High Modified Stair-Step Cage Layer Systems

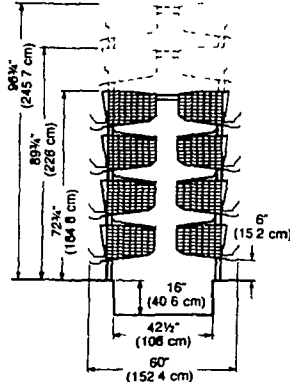


Exclusive Contour Cage gives birds more room

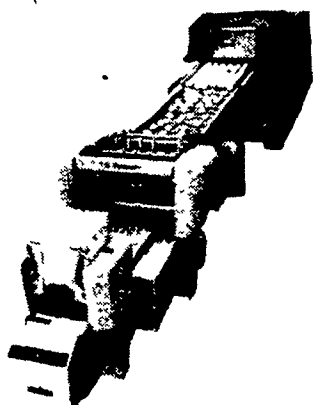
Diamond Systems

New 4-5-6- High Stacked Layer Cage Systems

The Best Equipment for converting old poultry houses to maximum density



For Egg Packing You Can Bank On Us.
Diamond Automation's **FARMPACKERS** are... **Eggscellent!**



New Diamond Systems 3-High Starter-Grower

SALES & SERVICE For Buildings And Equipment

CALL

IRVIN HORST LARRY HORST
Office (717) 866-7565 Office (717) 866-7565
Home (717) 866-2815 Home (717) 866-4957

SWINE & POULTRY SYSTEMS SPECIALISTS
FARMER BOY AG, INC.
410E LINCOLN AVE MYERSTOWN PA 17067 PH 717 866 7565
BEST IN DESIGN, PRICE AND EXPERIENCE

SPECIAL OFFER

ON HEAVY DUTY REPLACEMENT CHAIN

Prices Unbeatable

HOOK AND EYE

HUSKY

FORGE LINKS



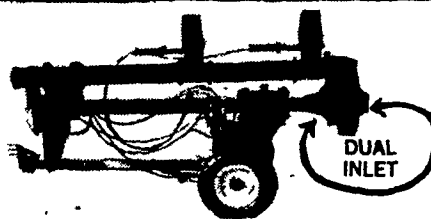
A Chain You Must See To Appreciate -
Only Then Will You See What It Has To Offer
See Your Route Salesman or Call Us At 626-1151

OR
See us at Ag Progress Days - Aug. 23, 24, 25
This Chain Will Replace Most Brands of Chains

ALL NEW!

HUSKY

LIQUID MANURE EQUIPMENT



MODEL K31 LIQUID PUMP (3600 GPM)

HUSKY

HUSKY LAGOON PUMP

- The Husky Lagoon Manure Pump Gets Down Under Where The Solids Are And Tears Them To Pieces
- Equipped With Cutter Blades To Chop Up Most Materials In Your Lagoon
- 540 RPM 70 HP
- 1000 RPM 150 HP



HUSKY FRONT MOUNT SOIL INJECTORS



LIQUID TANK SPREADERS 6 sizes to choose from 1200 gal. to 5000 gal.

ALL EQUIPMENT IN STOCK READY FOR DELIVERY
We Need Good Used Liquid Manure Equipment

SERVICE — SALES

SHENK'S FARM SERVICE

501 E. Woods Drive, Box 225, Lititz, PA 17543
Phone 717-626-1151 — Our Service Trucks Are Radio Dispatched
24 Hr. Service Offered — After 6 P.M. — Call:

Mervin Nissley 717-872-4565

Ray Shenk 717-626-1152